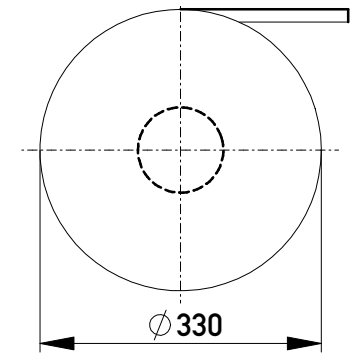
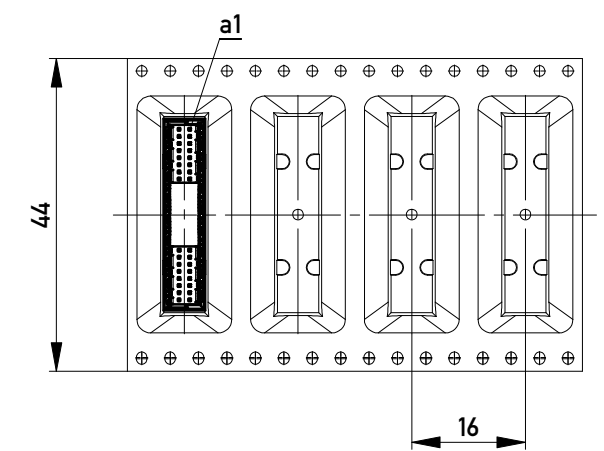


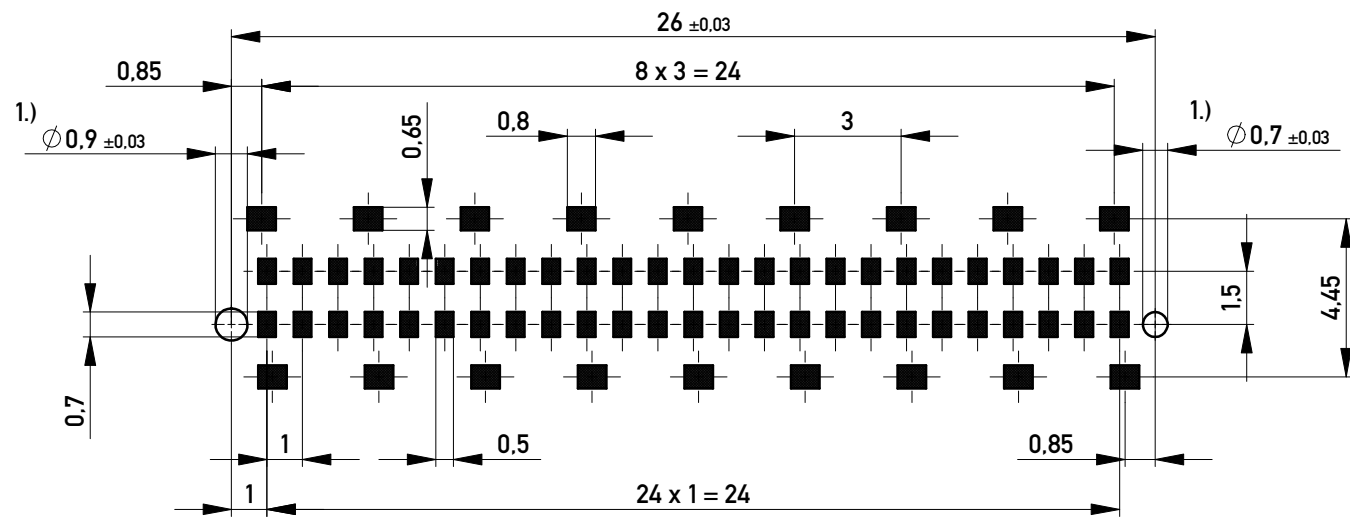
Verpackt in Gurtverpackung  
Tape on Reel Packaging  
Verpackungseinheit: 220 Stück  
Packaging unit: 220 pcs



Abspulrichtung - Reel off Direction



Leiterplatten-Layout Vorschlag / PCB-layout proposal



1.) Durchmesser des Bohrers / Drill tool

Anforderungsstufe 1  
Performance Level 1

Kontaktbereich vergoldet  
Mating Area gold plating

Anschlussbereich verzinkt 4-6 µm  
Terminal Area 4-6 µm tin plating

Koplanarität der Anschlüsse ≤ 0.1 mm  
Coplanarity Area of Termination ≤ 0.1 mm

Information:  All rights reserved. Only for Information. To ensure that this is the latest version of this drawing, please contact one of the ERNI companies before using.	Tolerances  All Dimensions in mm	Scale	5:1
		Designation	Messerleiste 10mm SMD, 50 polig Male 10mm SMD, 50 contacts
j Index	22.04.2013 Date	www.ERNI.com	
		Class	MSPEED

100202250001

K  
A3