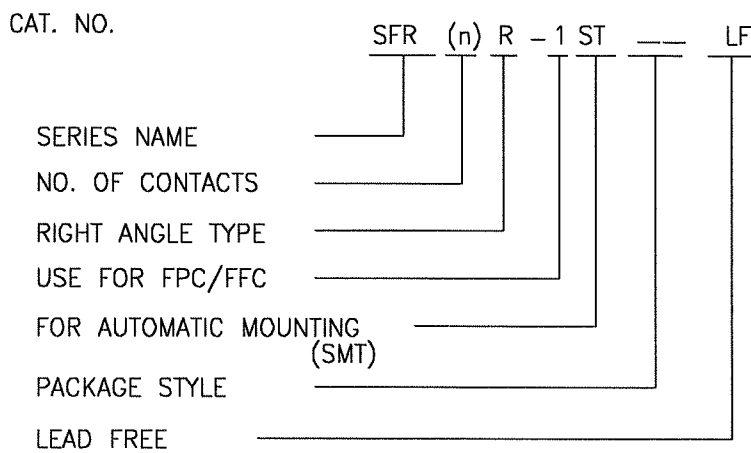


CAT. NO. & DIMENSIONS

NO. OF CONTACTS (n)	CAT. NO.	DIMENSIONS (NOTE2)			
		A ±0.2	B ±0.15	C ±0.15	D ±0.1
4	SFR 4R-1ST__LF	8.6	7.7	2.4	4.2
6	SFR 6R-1ST__LF	10.2	9.3	4.0	5.8
8	SFR 8R-1ST__LF	11.8	10.9	5.6	7.4
10	SFR10R-1ST__LF	13.4	12.5	7.2	9.0
12	SFR12R-1ST__LF	15.0	14.1	8.8	10.6
14	SFR14R-1ST__LF	16.6	15.7	10.4	12.2
16	SFR16R-1ST__LF	18.2	17.3	12.0	13.8
18	SFR18R-1ST__LF	19.8	18.9	13.6	15.4
20	SFR20R-1ST__LF	21.4	20.5	15.2	17.0
22	SFR22R-1ST__LF	23.0	22.1	16.8	18.6
24	SFR24R-1ST__LF	24.6	23.7	18.4	20.2
26	SFR26R-1ST__LF	26.2	25.3	20.0	21.8
28	SFR28R-1ST__LF	27.8	26.9	21.6	23.4
30	SFR30R-1ST__LF	29.4	28.5	23.2	25.0



NOTES

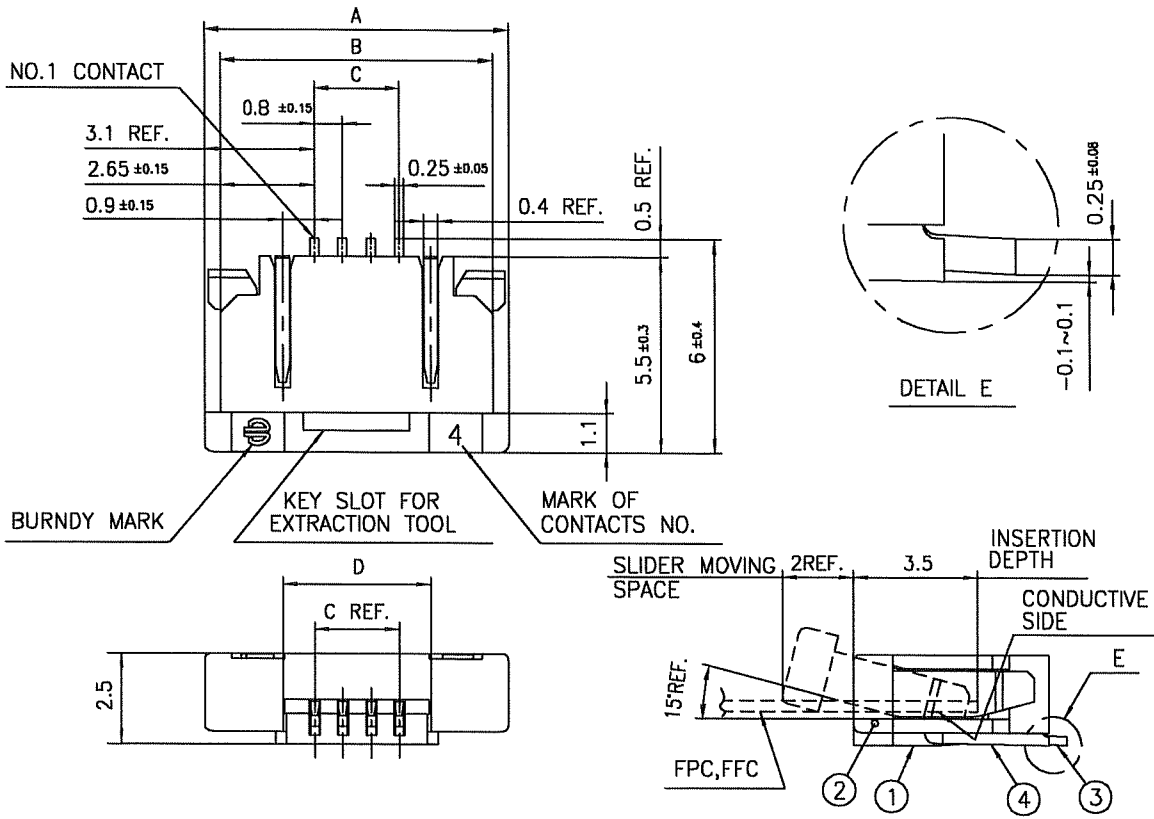
1. THIS IS SMT CONNECTOR FOR AUTOMATIC MOUNTING.
2. SEE PART DRAWINGS FOR DIMENSIONS A~D.

mat'l. code				surface <input checked="" type="checkbox"/> ISO 1302 <input checked="" type="checkbox"/> tolerance <input checked="" type="checkbox"/> ISO 406 <input checked="" type="checkbox"/> ISO 1101	projection	product family 58BF	CODE JP	
ltr	ecn no	dr	date	tolerances unless otherwise specified		title		
A	J05-0280	H.T	5/12/05	angles	linear	CAT NO. TABLE FOR 0.8mm SPACING CONNECTOR (Cat. No. SFR__R-1ST__LF)		
B	J06-0485	H.T	11/20/06			mm		
						scale X		
				dr	engr	dwg no sheet 1 of 1 size		
				chr	appd	JSA 96438 A4		
						type Product Customer Drawing		
sheet index	revision sheet	B	1					Rev. B



FCIconnect.com

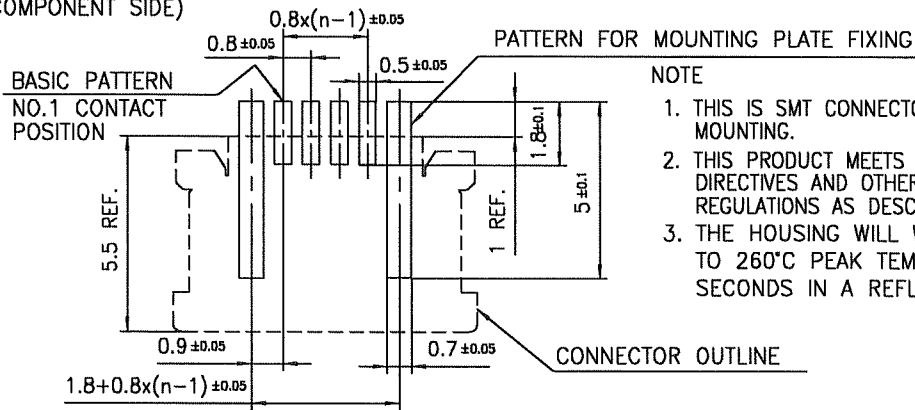
Copyright FCI.



PT. NO.	PARTS NAME	MATERIAL	Q'TY	NOTE
1	HOUSING	PPS RESIN GLASS REINFORCED (UL94V-0)	1	COLOR:BLACK
2	SLIDER		1	
3	CONTACT	PHOSPHOR BRONZE	n	PLATING:TIN (LEAD FREE)
4	MOUNTING PLATE		2	

n : NO. OF CONTACTS

RECOMMENDED PC BOARD LAYOUT (COMPONENT SIDE)



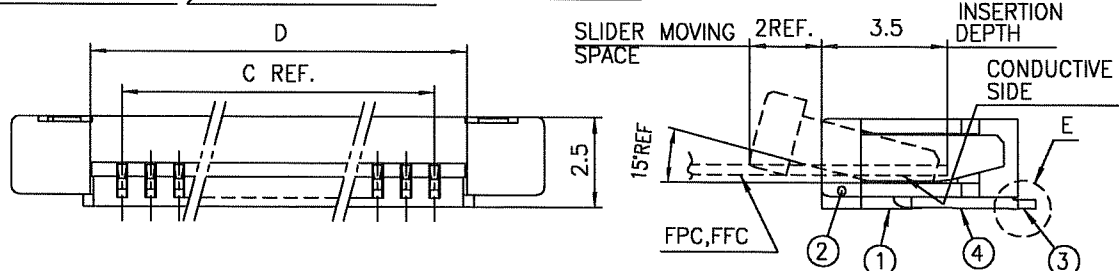
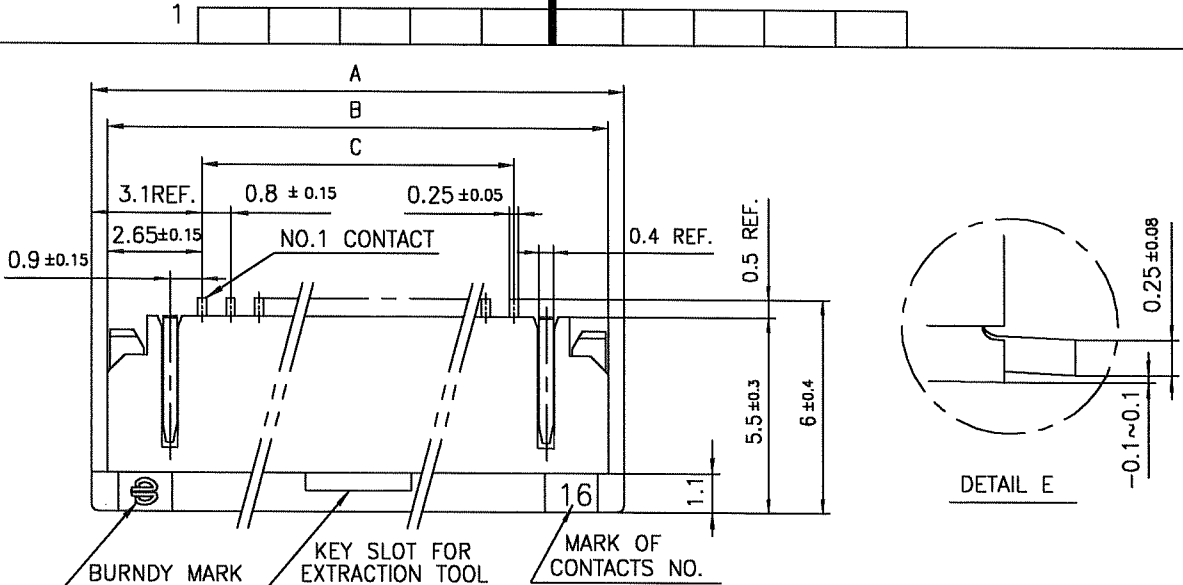
- NOTE
1. THIS IS SMT CONNECTOR FOR AUTOMATIC MOUNTING.
  2. THIS PRODUCT MEETS EUROPEAN UNION DIRECTIVES AND OTHER COUNTRY REGULATIONS AS DESCRIBED IN GS-22-008.
  3. THE HOUSING WILL WITHSTAND EXPOSURE TO 260°C PEAK TEMPERATURE FOR 10 SECONDS IN A REFLOW SOLDERING OVEN.

mat'l. code				surface ISO 1302 ✓	tolerance ISO 406 ISO 1101	projection	product family 58BF	CODE JP
ltr	ecn no	dr	date	tolerances unless otherwise specified		mm	title	
A	J05-0280	H.T	5/12/05	angles	linear		0.8mm SPACING CONNECTOR (Cat. No. SFR4R-1ST__LF)	
B	J05-0730	H.T	10/28/05			scale X	dwg no	
C	J06-0485	H.T	11/20/06				sheet 1 of 1 size	
				dr	11/20/06	FCI	JSA 96439	
				enr	11/20/06		A4	
				chr	11/20/06		type Product Customer Drawing	
				appd	11/21/06			
sheet index	revision sheet	C	1					Rev. C



FCIconnect.com

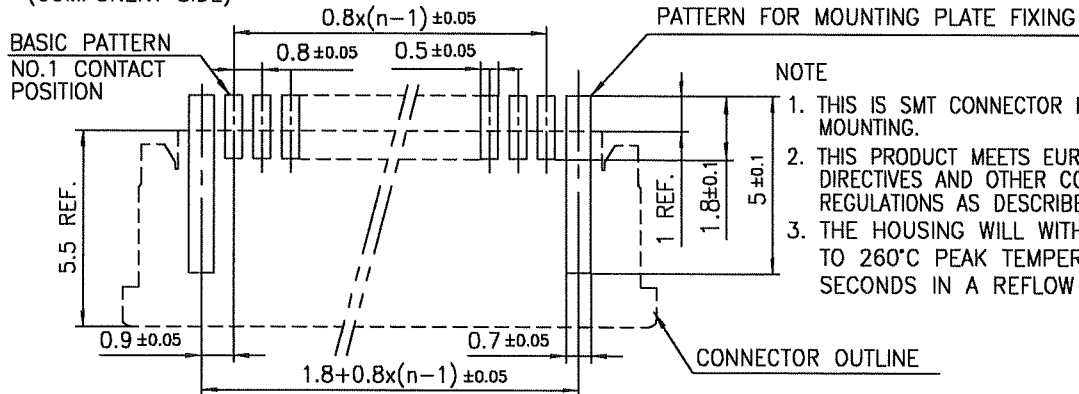
Copyright FCI.



PT. NO.	PARTS NAME	MATERIAL	Q'TY	NOTE
1	HOUSING	PPS RESIN GLASS REINFORCED (UL94V-0)	1	COLOR : BLACK
2	SLIDER		1	
3	CONTACT	PHOSPHOR BRONZE	n	PLATING : TIN (LEAD FREE)
4	MOUNTING PLATE		2	

n : NO. OF CONTACTS

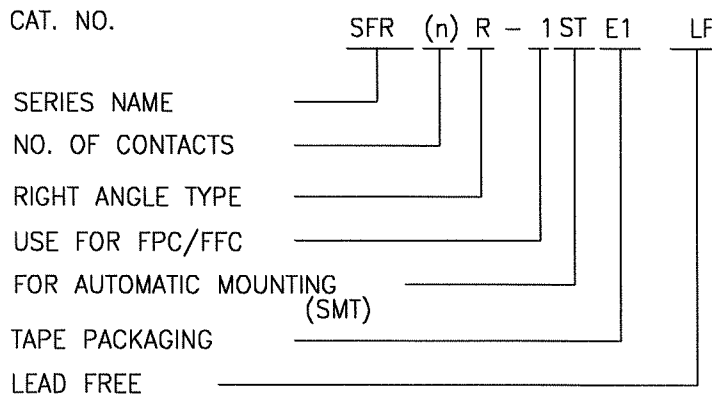
RECOMMENDED PC BOARD LAYOUT  
(COMPONENT SIDE)



mat'l. code				surface	tolerance	projection	product family	CODE
				ISO 1302 ✓	ISO 406	mm	58BF	JP
					ISO 1101			
ltr	ecn no	dr	date	tolerances unless otherwise specified		mm	title	
A	J05-0280	H.T	5/12/05	angles	linear		0.8mm SPACING CONNECTOR	
B	J05-0730	H.T	10/28/05				(Cat. No. SFR__R-1ST__LF)	
C	J06-0485	H.T	11/20/06			scale	X	
				dr	11/20/06	FCI	dwg no	
				enr	11/20/06		sheet 1 of 1	
				chr	11/20/06		JSA 96440	
				appd	11/21/06		size A4	
sheet index		revision	C			type		Rev.
sheet		1				Product Customer Drawing		C

CAT. NO. & DIMENSIONS

NO. OF CONTACTS (n)	CAT. NO. (NOTE2)	DIMENSIONS (NOTE3)			
		E ±5	F ±0.3	G ±0.1	H ±0.4
4	SFR 4R-1STE1LF	22.4	16	—	3.35
6	SFR 6R-1STE1LF	22.4	16	—	3.35
8	SFR 8R-1STE1LF	30.4	24	—	3.45
10	SFR10R-1STE1LF	30.4	24	—	3.45
12	SFR12R-1STE1LF	30.4	24	—	3.45
14	SFR14R-1STE1LF	30.4	24	—	3.45
16	SFR16R-1STE1LF	30.4	24	—	3.45
18	SFR18R-1STE1LF	38.4	32	28.4	3.45
20	SFR20R-1STE1LF	38.4	32	28.4	3.45
22	SFR22R-1STE1LF	50.4	44	40.4	3.55
24	SFR24R-1STE1LF	50.4	44	40.4	3.55
26	SFR26R-1STE1LF	50.4	44	40.4	3.55
28	SFR28R-1STE1LF	50.4	44	40.4	3.55
30	SFR30R-1STE1LF	50.4	44	40.4	3.55



NOTES

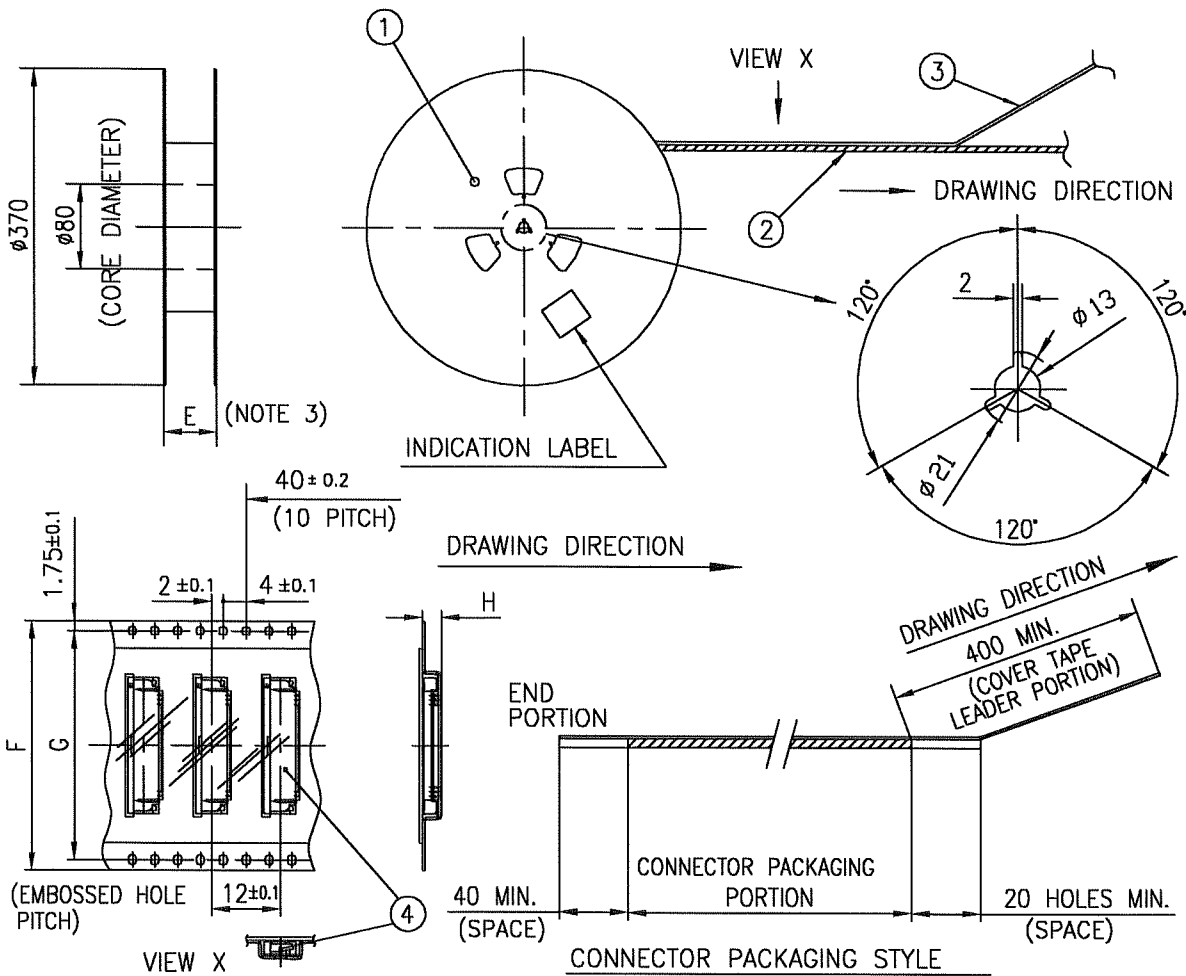
1. THIS IS SMT CONNECTOR FOR AUTOMATIC MOUNTING.
2. THIS CATALOG NO. INDICATES PLASTIC TAPE PACKAGED CONNECTOR.
3. SEE DRAWINGS OF CONNECTOR PACKAGING FOR DIMENSIONS E~H.

mat'l. code				surface ISO 1302 ✓	tolerance ISO 406 ISO 1101	projection	product family 58BF	CODE JP
ltr	ecn no	dr	date	tolerances unless otherwise specified		mm	title	
A	J05-0280	H.T	5/12/05	angles	linear		CAT NO. TABLE FOR PLASTIC TAPE PACKAGED 0.8mm SPACING CONNECTOR (Cat. No. SFR__R-1STE1LF)	
B	J06-0485	H.T	11/20/06			scale X	dwg no	sheet 1 of 1 size
				dr	<i>H. Saito</i> 11/20/06		JSA 96441 A4	
				enr	<i>H. Saito</i> 11/20/06		type Product Customer Drawing	
				chr	<i>R. Shouji</i> 11/20/06			
				appd	<i>S. Adachi</i> 11/21/06			
sheet index	revision	B	sheet	1				Rev. B



FCconnect.com

Copyright FCJ.



PT. NO.	PARTS NAME	CAT. NO.	MATERIAL	Q'TY	NOTE
1	REEL	_____	CARDBOARD	1	COLOR:GRAY
2	PLASTIC (EMBOSS) TAPE	_____	POLYPROPYLENE or A-PET	---	COLOR:TRANSPARENCY
3	COVER	_____	POLYESTER	---	COLOR:TRANSPARENCY
4	SURFLOK CONNECTOR	SFR__R-1ST__LF	SEE ATTACHED DWG	2000	_____

NOTES

- THIS IS PLASTIC TAPE PACKAGED SMT CONNECTORS FOR AUTOMATIC MOUNTING.
- SEE JIS C 0806 (PACKING OF ELECTRONIC COMPONENTS ON CONTINUOUS TAPES (SURFACE MOUNTING DEVICES)) FOR SHAPE AND DIMENSIONS OF PLASTIC (EMBOSS) TAPE AND REEL.
- E DIMENSION IS PORTION OF THE CORE.

mat'l. code				surface <input checked="" type="checkbox"/> ISO 1302 <input checked="" type="checkbox"/> tolerance <input checked="" type="checkbox"/> ISO 406 <input checked="" type="checkbox"/> ISO 1101		projection		product family 58BF		CODE JP	
ltr	ecn no	dr	date	tolerances unless otherwise specified				mm	title PLASTIC TAPE PACKAGED 0.8mm SPACING CONNECTOR (Cat. No. SFR__R-1STE1LF)		
A	J05-0280	H.T	5/12/05	angles	linear	±5					
B	J06-0485	H.T	11/20/06	±5'		scale $\times$					
				dr	11/20/06			dwg no		sheet 1 of 1 size	
				enr	11/20/06			JSA 96442		A4	
				chr	11/20/06			type		Product Customer Drawing	
				appd	11/21/06						
sheet index		revision sheet		B 1						Rev. B	

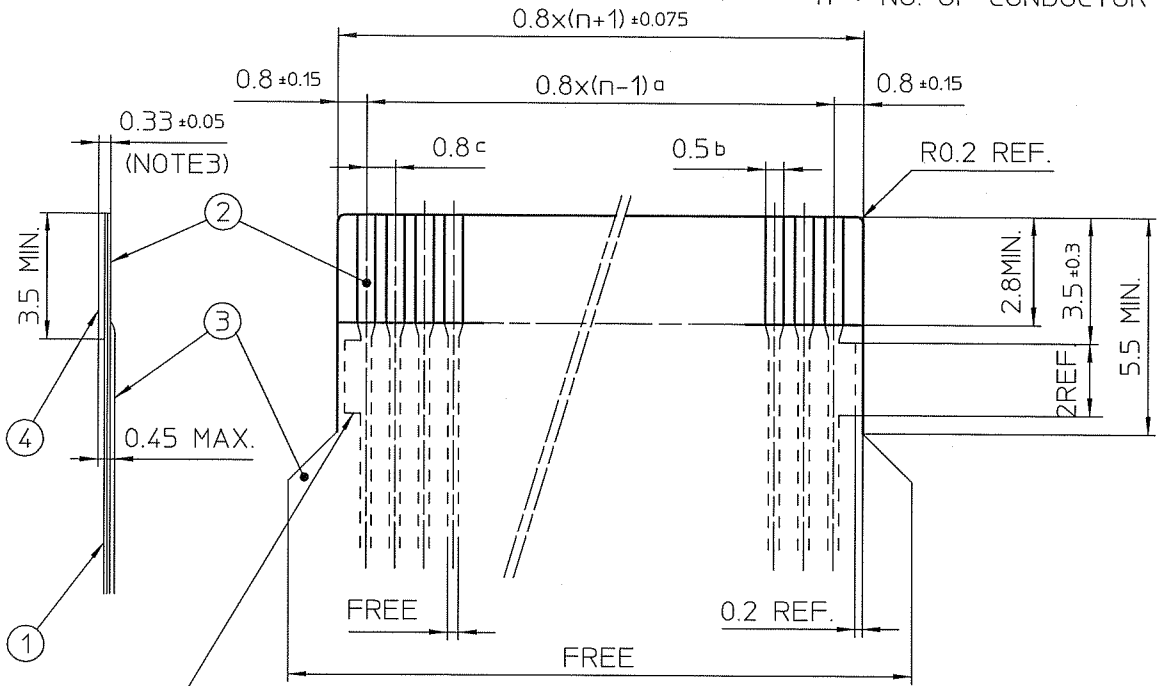


FCIconnect.com

Copyright FCI.

RECOMMENDED CABLE (FPC)

n : NO. OF CONDUCTOR



INSERTION INSPECTION MARK

KIND OF FPC (NOTE 4)	DIMENSIONAL TOLERANCE		
	a	b	c
1	±0.04	±0.05	±0.04
2	±0.035	±0.075	±0.035

PT. NO.	PARTS NAME	MATERIAL	THICKNESS (μm)
1	BASE FILM	POLYIMIDE OR POLYESTER OR EQUAL	25
2	CONDUCTOR	COPPER FOIL (PLATING : SOLDER 1μm MIN.)	35
3	OVERLAY	POLYIMIDE OR POLYESTER OR EQUAL	—
4	SUPPORTING TAPE	POLYESTER OR POLYIMIDE OR EQUAL	188

NOTES

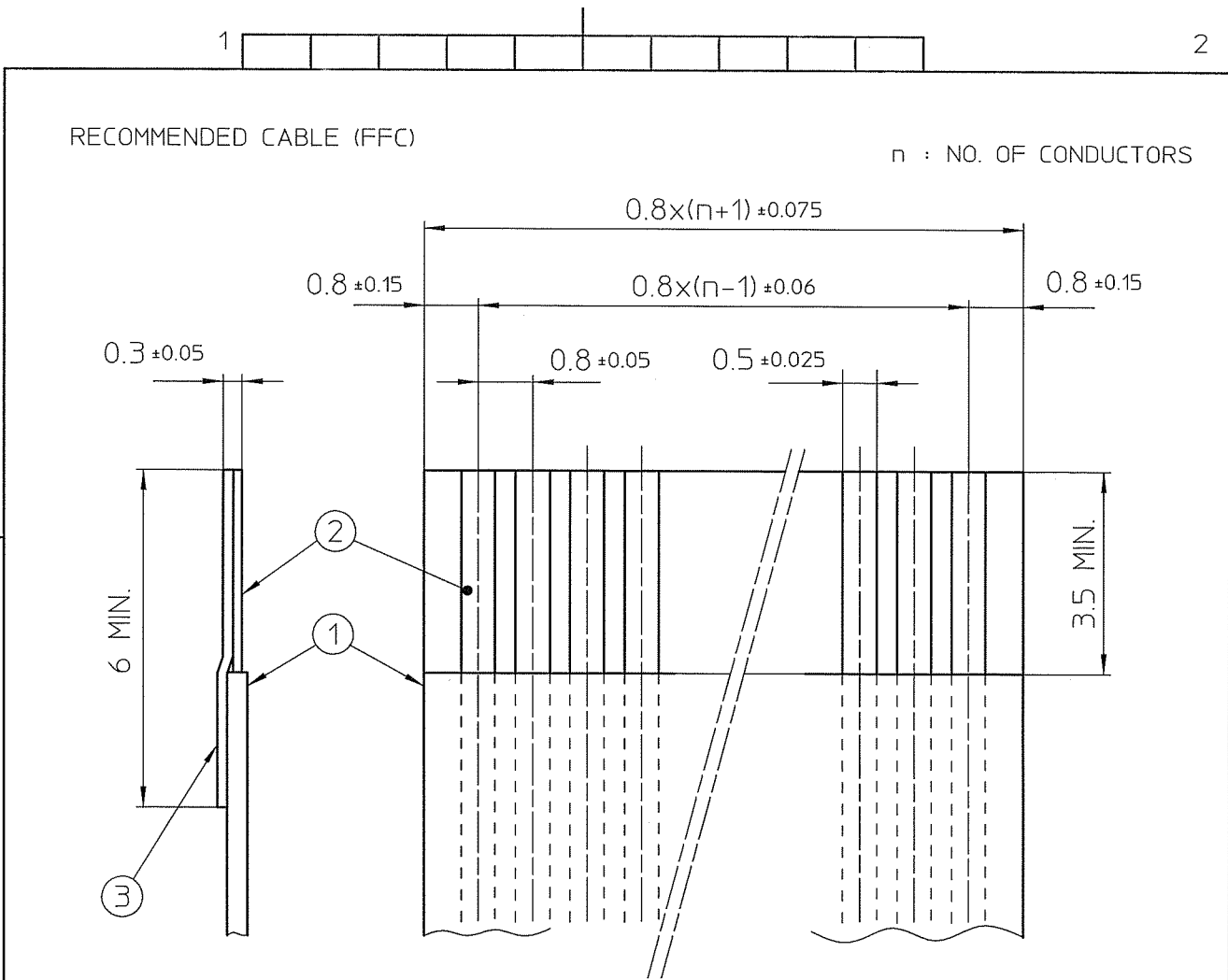
1. NO BURR AT EACH PORTION.
2. NO PEELING IN COMMON USE.
3. TOTAL THICKNESS LIMIT OF EACH MATERIAL (INCLUDING ADHESIVE AGENT) IS SPECIFIED.
4. EITHER KIND1 OR KIND2 OF FPC CAN ACCEPT DIMENSIONAL TOLERANCE a,b AND C.

mat'l. code				surface ISO 1302 ✓		tolerance ISO 406 ISO 1101		projection		product family 58BF		
ltr	ecn no	dr	date	tolerances unless otherwise specified						title		
AA	J04-0357	H.T	Oct.13/04	angles	linear					RECOMMENDED CABLE (CAT.No.SFR__R-1ST__)		
AB	J06-0351	H.T	8/29/06					scale X		dwg no sheet 1 of 1 size		
				dr	H. Takahashi 8/29/06				JSA 90454		A4	
				enr	H. Takahashi 8/29/06				type Product Customer Drawing			
				chr	K. Shoji 8/29/06							
				appd	S. Okada 8/29/06							
sheet index	revision sheet	AB	1							Rev. AB		



FCJconnect.com

Copyright FCJ



PT. NO.	PARTS NAME	MATERIAL	NOTE
1	INSULATOR	FLAME RESISTING POLYESTER OR EQUAL	_____
2	CONDUCTOR	COPPER FOIL : 50 μm	PLATING : TIN OR SOLDER 1 μm MIN.
3	SUPPORTING TAPE	FLAME RESISTING POLYESTER OR EQUAL	_____

NOTES

1. NO BURR AT EACH PORTION.
2. NO PEELING IN COMMON USE.

mat'l. code				surface ISO 1302 ✓		tolerance ISO 406 ISO 1101		projection		product family 58BF		
ltr	ecn no	dr	date	tolerances unless otherwise specified						title RECOMMENDED CABLE (FFC) (CAT.No.SFR__R-1ST__)		
AA	J04-0357	H.T	Oct.13/04	angles	linear							
AB	J06-0351	H.T	8/29/06					scale		dwg no sheet 1 of 1 size		
				dr	<i>H. Shoyu</i> 8/29/06				JSA 90455		A4	
				enrg	<i>H. Shoyu</i> 8/29/06				type Product Customer Drawing			
				chr	<i>R. Shoyu</i> 8/29/06							
				appd	<i>S. Chidami</i> 8/29/06							
sheet index	revision sheet	AB	1									Rev. AB



FCJconnect.com

Copyright FCI