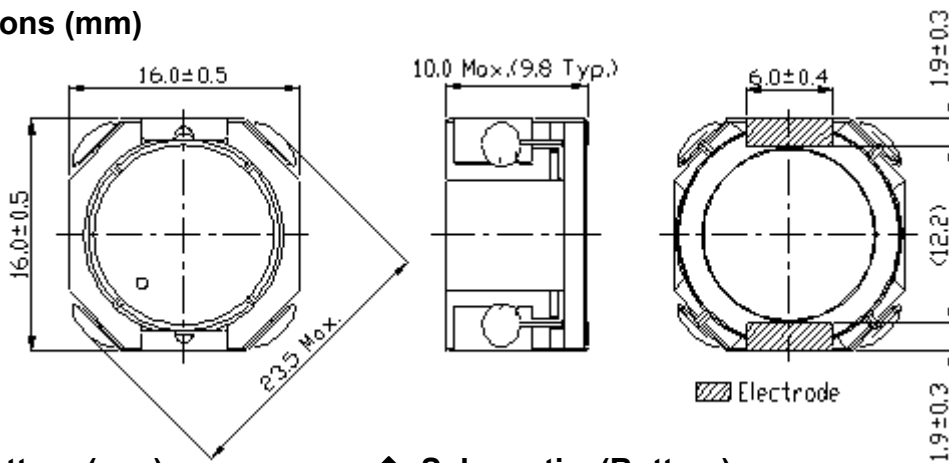
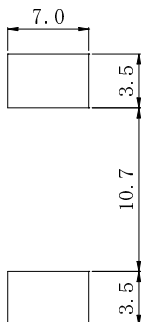
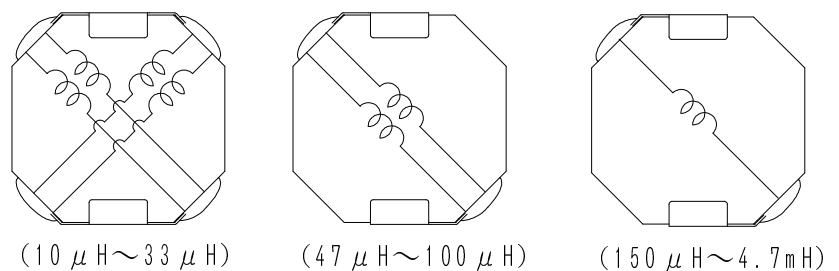


Type: CDRH169R
◆ Product Description

- 16.5×16.5mm Max. (L×W), 10.0 mm Max. Height.
- Inductance range: 10~4700 μH.
- Rated current range: 0.4~8.6A.
- In addition to the standards versions shown here, custom inductors are also available to meet your exact requirements.

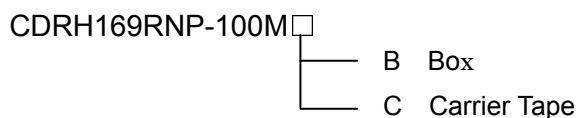

◆ Feature

- Magnetically shielded construction.
- Storage temperature range: -40°C ~+105°C.
- Operating temperature range: -40°C ~+105°C (Including coil's self temperature rise).
- Ideally used in Game machine, Notebook PC, LCD TV,DVD, STB ,Projector etc as DC-DC converter inductors.
- Product weight: 8.2g (Ref.).
- RoHS compliance.

◆ Dimensions (mm)

◆ Land Pattern (mm)

◆ Schematics(Bottom)


Type: CDRH169R
◆ Specification

Part No. ※	Stamp	Inductance (μ H) at 100 kHz	D.C.R. (Ω) Max. (Typ.) (at 20°C)	Saturation Current (A) ※1		Temperature Rise Current (A) ※2
				at 20°C	at 105°C	
CDRH169RNP-100M□	100	10 \pm 20%	7.8m(6.3m)	11.5	7.7	8.6
CDRH169RNP-150M□	150	15 \pm 20%	12.5m(10.0m)	9.6	6.4	7.0
CDRH169RNP-220M□	220	22 \pm 20%	18.0m(15.0m)	8.1	5.6	5.7
CDRH169RNP-330M□	330	33 \pm 20%	27.0m(22.0m)	6.7	4.2	4.8
CDRH169RNP-470M□	470	47 \pm 20%	35.0m(28.0m)	5.3	3.4	4.2
CDRH169RNP-680M□	680	68 \pm 20%	51.0m(41.0m)	4.4	2.9	3.3
CDRH169RNP-101M□	101	100 \pm 20%	77.0m(62.0m)	3.7	2.4	2.7
CDRH169RNP-151M□	151	150 \pm 20%	121m(97m)	3.2	2.2	2.2
CDRH169RNP-221M□	221	220 \pm 20%	181m(145m)	2.6	1.8	1.8
CDRH169RNP-331M□	331	330 \pm 20%	281m(225m)	2.1	1.4	1.5
CDRH169RNP-471M□	471	470 \pm 20%	392m(314m)	1.8	1.2	1.1
CDRH169RNP-681M□	681	680 \pm 20%	518m(414m)	1.5	1.0	0.92
CDRH169RNP-102M□	102	1000 \pm 20%	0.79(0.63)	1.2	0.79	0.82
CDRH169RNP-152M□	152	1500 \pm 20%	1.10(0.88)	0.95	0.65	0.70
CDRH169RNP-222M□	222	2200 \pm 20%	1.53(1.22)	0.79	0.54	0.58
CDRH169RNP-332M□	332	3300 \pm 20%	2.18(1.74)	0.66	0.44	0.48
CDRH169RNP-472M□	472	4700 \pm 20%	3.17(2.53)	0.54	0.36	0.40

※ Description of part name


※1. The saturation current: The value of D.C. current when the inductance decreases to 65% of it's nominal.

※2. Temperature rise current: The value of DC current when the temperature rise is $\Delta T=40^{\circ}\text{C}$. ($T_a=20^{\circ}\text{C}$)