

SPECIFICATIONS

Mechanical

Plug Mating Force: 3.00kg (6.61Lb) max.
Plug Unmating Force: 0.30~3.00kg (0.66~6.61Lb)
Contact Retention Force: 0.50kg (1.10Lb) min.
Durability: 5000 Cycles

Electrical

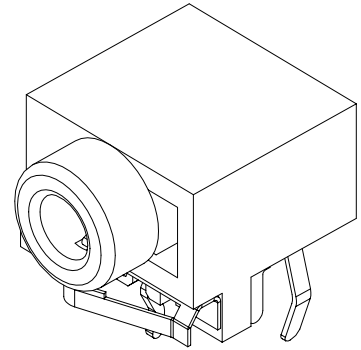
Current Rating: 1.00A
Contact Resistance: 30mΩ max.
Dielectric Withstanding Voltage: 500V AC/1min min.
Insulation Resistance: 100MΩ min.

Physical

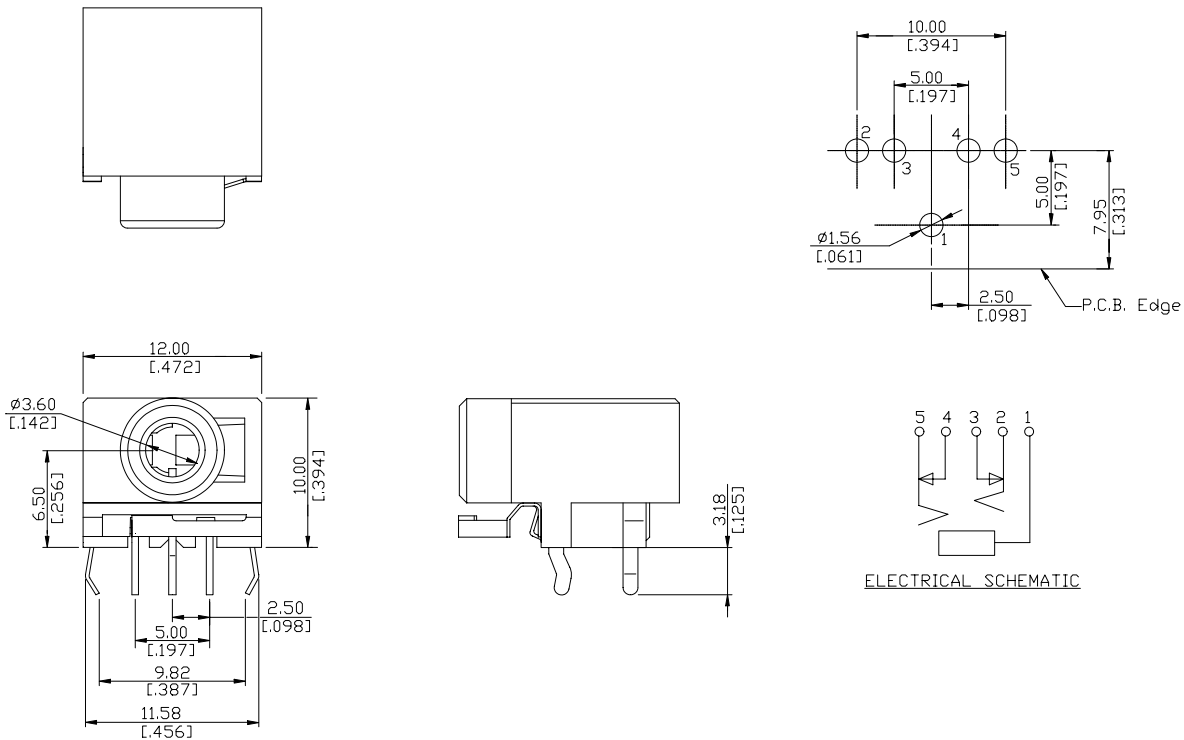
Housing: Thermoplastic, UL 94V-0 rated
Contact: Copper alloy
Plating: See "ORDERING INFORMATION"
Operating Temperature: -25 °C to +85 °C
Recommended Thickness of PCB: 1.57[.062]

Audio Jack Connector

JA Series
Single Jack, R/A, T/H Type
Ø3.5mm [.138"]
5 Pos.



DRAWING



ORDERING INFORMATION

PRODUCT NO.: JA 1 3 3 3 1 - N2*7 - 4F

Audio Jack Series
 Body Type
 1=Single Jack
 Sleeve Style
 3=All Plastic Cylindrical
 Plug Type
 3=Three Band
 Plug Diameter
 3=3.50mm

Lead Free Code
 Extension Code
 0=Black
 1=Pink
 3=Light Blue
 4=Lime
 Contact Area Plating
 1=Gold Flash

JA13331-N207-4F	Black
JA13331-N217-4F	Pink
JA13331-N237-4F	Light blue
JA13331-N247-4F	Lime
P/N	HOUSING COLOR