



**PRELIMINARY**

# **ISD1800 SERIES**

**SINGLE-CHIP, SINGLE-MESSAGE  
VOICE RECORD/PLAYBACK DEVICE  
6- TO 16-SECOND DURATION**



## 1. GENERAL DESCRIPTION

Winbond's ISD1800 ChipCorder<sup>®</sup> provides high-quality, single chip, single-message, record/playback solution with user-selectable durations of 6 to 16 seconds. The CMOS devices include an on-chip oscillator (with external control), microphone preamplifier, automatic gain control, anti-aliasing filter, multilevel storage array, smoothing filter, and speaker amplifier. A minimum record/playback subsystem can be configured with a microphone, a speaker, several passive components, two push buttons, and a power source. Recordings are stored in on-chip nonvolatile memory cells, providing zero-power message storage. This unique, single-chip solution is made possible through Winbond's patented multilevel storage technology. Voice and audio signals are stored directly into memory in their natural form, providing high-quality, solid-state voice reproduction.

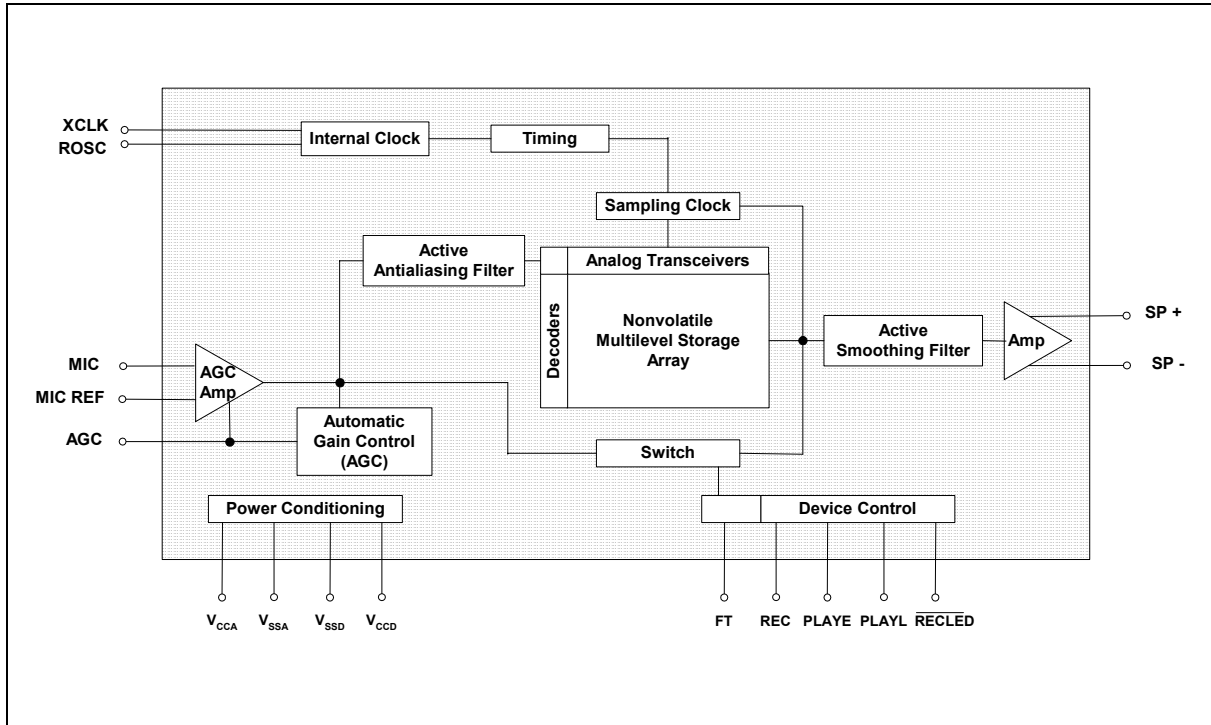
## 2. FEATURES

- Easy-to-use single-chip, single-message voice record/playback solution
- High-quality, natural voice/audio reproduction
- Push-button interface
  - Playback can be edge- or level-activated
- Variable record/playback duration controlled by external resistor selection, which sets sample rate.

| Sample Rate \ Duration | 8 KHz         | 6.4 KHz        | 5.3 KHz        | 4 HKz          |
|------------------------|---------------|----------------|----------------|----------------|
| I1806                  | 6 secs        | 7.5 secs       | 9 secs         | 12 secs        |
| I1810                  | 8 secs        | 10 secs        | 12 secs        | 16 secs        |
| ROSC                   | 80 K $\Omega$ | 100 K $\Omega$ | 120 K $\Omega$ | 160 K $\Omega$ |

- Automatic power-down mode
  - Enters standby mode immediately following a record or playback cycle
  - 0.5  $\mu$ A standby current (typical)
- On-chip 8 $\Omega$  speaker driver
- Zero-power message storage
  - Eliminates battery backup circuits
- 100-year message retention (typical)
- 100,000 record cycles (typical)
- On-chip oscillator
- No algorithm development required
- Single +3 volt power supply
- Available in die form and 28-pin 300mil SOIC
  - 28-pin 600mil PDIP available for samples only

## 3. BLOCK DIAGRAM





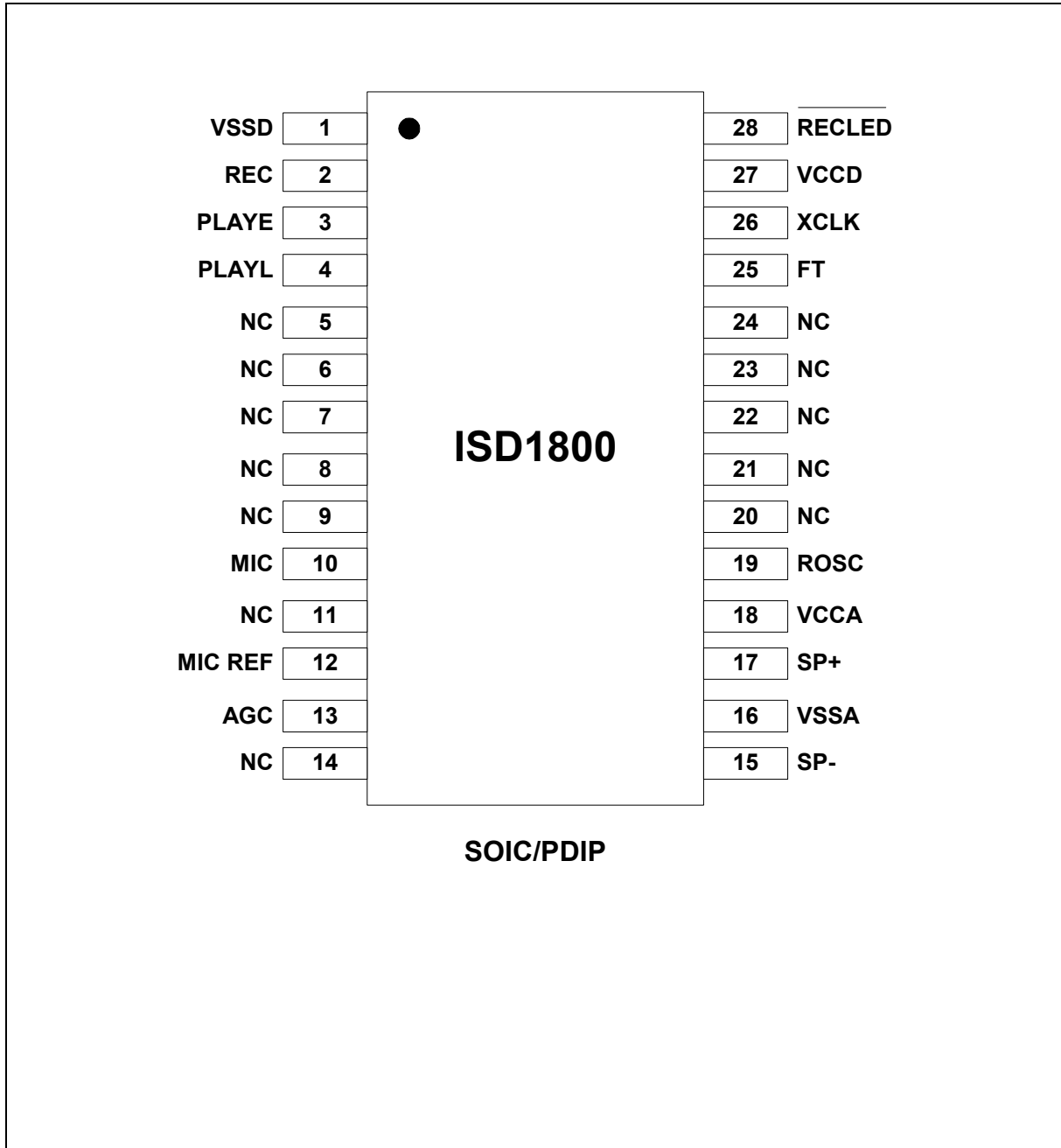
## 4. TABLE OF CONTENTS

|  |    |
|--|----|
| 1. GENERAL DESCRIPTION.....  | 2  |
| 2. FEATURES .....  | 2  |
| 3. BLOCK DIAGRAM .....   | 3  |
| 4. TABLE OF CONTENTS .....   | 4  |
| 5. PIN CONFIGURATION .....   | 5  |
| 6. PIN DESCRIPTION .....   | 6  |
| 7. FUNCTIONAL DESCRIPTION.....   | 9  |
| 7.1. Detailed Description.....   | 9  |
| 7.2. Functional Description Example .....  | 10 |
| 8. TIMING DIAGRAMS.....  | 12 |
| 9. ABSOLUTE MAXIMUM RATINGS <sup>[1]</sup> .....                                     | 15 |
| 9.1 Operating Conditions .....   | 16 |
| 10. ELECTRICAL CHARACTERISTICS .....   | 17 |
| 10.1. DC Parameters.....   | 17 |
| 10.2. AC Parameters <sup>[1]</sup> .....   | 18 |
| 11. TYPICAL APPLICATION CIRCUIT .....  | 19 |
| 12. PACKAGE DRAWING AND DIMENSIONS .....   | 20 |
| 12.1. 28-Lead 300mil Small Outline IC (SOIC) Package.....                            | 20 |
| 12.2. 28-Lead 0.600-Inch Plastic Dual Inline Package (PDIP) – For Sampling Only..... | 21 |
| 12.3. ISD1800 Bonding Physical Layout (Die) .....                                    | 22 |
| 13. ORDERING INFORMATION.....  | 24 |
| 14. VERSION HISTORY .....  | 25 |

# ISD1800 SERIES



## 5. PIN CONFIGURATION





## 6. PIN DESCRIPTION

| PIN NAME                            | PIN NO.   | I/O | FUNCTION  |
|-------------------------------------|---|-----|---|
| V <sub>SSD</sub> , V <sub>SSA</sub> | 1, 16   |     | <b>Ground Supplies:</b> Similar to V <sub>CCA</sub> and V <sub>CCD</sub> , the analog and digital circuits internal to the I1800 device use separate ground buses to minimize noise. These pins should be tied together as close as possible to the device.   |
| REC <sup>1</sup>                    | 2   | I   | <b>Record:</b> The REC input is an active-HIGH record signal. The device records whenever REC is HIGH. This pin must remain HIGH for the duration of the recording. REC takes precedence over either playback (PLAYL or PLAYE) signal. If REC is pulled HIGH during a playback cycle, the playback immediately ceases and recording begins. A record cycle is completed when REC is pulled LOW. An End-of-Message (EOM) marker is internally recorded, enabling a subsequent playback cycle to terminate appropriately. The device automatically powers down to standby mode when REC goes LOW. This pin has an internal pull-down device. Holding this pin HIGH will increase standby current consumption. |
| PLAYE                               | 3   | I   | <b>Playback, Edge-activated:</b> When a HIGH-going transition is detected on this input pin, a playback cycle begins. Playback continues until an End-of-Message (EOM) marker is encountered or the end of the memory space is reached. Upon completion of the playback cycle, the device automatically powers down into standby mode. Taking PLAYE LOW during a playback cycle will not terminate the current cycle. This pin has an internal pull-down device. Holding this pin HIGH will increase standby current consumption.   |
| PLAYL                               | 4   | I   | <b>Playback, Level-activated:</b> When this input pin level transits from LOW to HIGH, a playback cycle is initiated. Playback continues until PLAYL is pulled LOW or an End-of-Message (EOM) marker is detected, or the end of the memory space is reached. The device automatically powers down to standby mode upon completion of the playback cycle. This pin has an internal pull-down device. Holding this pin HIGH will increase standby current consumption.  |
| NC                                  | 5, 6, 7, 8, 9,<br>11, 14, 20, 21,<br>22, 23, 24 |     | Not Connected.  |

# ISD1800 SERIES



| PIN NAME | PIN NO. | I/O | FUNCTION   |
|----------|---------|-----|--|
| MIC      | 10      | I   | <b>Microphone Input:</b> The microphone input transfers its signals to the on-chip preamplifier. An on-chip Automatic Gain Control (AGC) circuit controls the gain of the preamplifier. An external microphone should be AC coupled to this pin via a series capacitor. The capacitor value, together with an internal 10 K $\Omega$ resistance on this pin, determines the low-frequency cutoff for the I1800 passband.   |
| MIC REF  | 12      | I   | <b>Microphone Reference:</b> The MIC REF input is the inverting input to the microphone preamplifier. This provides input noise-cancellation, or common-mode rejection, when the microphone is connected differentially to the device.   |
| AGC      | 13      | I   | <b>Automatic Gain Control:</b> The AGC dynamically adjusts the gain of the preamplifier to compensate for the wide range of microphone input levels. The AGC allows the full range of sound, from whispers to loud sounds, to be recorded with minimal distortion. Nominal values of 4.7 $\mu$ F give satisfactory results in most cases.<br><br>Connecting this pin to ground ( $V_{SSA}$ ) provides maximum gain to the preamplifier circuitry. Conversely, connecting this pin to the power supply ( $V_{CCA}$ ) provides minimum gain to the preamplifier circuitry.   |
| SP-/SP+  | 15, 17  | O   | <b>Speaker Outputs:</b> The SP+ and SP- pins provide direct drive for loudspeakers with impedances as low as 8 $\Omega$ . A single output may be used, but, for direct-drive loud-speakers, the two opposite-polarity outputs provide an improvement in output power of up to four times over a single-ended connection. Furthermore, when SP+ and SP- are used, a speaker coupling capacitor is not required. A single-ended connection will require an AC-coupling capacitor between the SP pin and the speaker.<br><br>The SP+ pin and the SP- pin are internally connected through a 50 K $\Omega$ resistance. When not in playback mode, they are floating. |

# ISD1800 SERIES



| PIN NAME                   | PIN NO. | I/O | FUNCTION   |
|----------------------------|---------|-----|--|
| $V_{CCA}, V_{CCD}$         | 18, 27  |     | <b>Voltage Supplies:</b> Analog and digital circuits internal to the I1800 device use separate power buses to minimize noise on the chip. These power buses are brought out to separate pins on the package and should be tied together as close to the power supply as possible. It is important that the power supply be decoupled as close as possible to the package.  |
| ROSC                       | 19      | I   | <b>The Resistor Controlled Oscillator input:</b> This enables the user to vary the I1800 device record and playback duration. The resistor connected between the ROSC pin and $V_{SS}$ (R2) determines the sample frequency and the filter upper pass band for the I1800 device. Please refer to the table in Duration Section for duration selection.   |
| FT                         | 25      | I   | <b>Feed Through:</b> This mode allows use of the speaker drivers for external signals. The signal between the MIC and MIC_REF pins will pass through the AGC, the filter and the speaker drivers to the speaker outputs SP+ and SP-. The input FT controls the feed through mode. To operate this mode, the control pins REC, PLAYE and PLAYL are held LOW at $V_{SS}$ . The pin FT is held HIGH to $V_{CC}$ . For normal operation of record, play and power down, the FT pin is held at $V_{SS}$ . The FT pin has a weak pull-down to $V_{SS}$ . |
| XCLK                       | 26      |     | <b>The External Clock input:</b> For the I1800 devices has an internal pull-down resistor. This pin is used for test purposes only. Do not bond this pad.  |
| $\overline{\text{RECLED}}$ | 28      | O   | <b>Record LED output:</b> The $\overline{\text{RECLED}}$ output is LOW during a record cycle. It can be used to drive an LED to provide feedback that a record cycle is in progress. In addition, $\overline{\text{RECLED}}$ pulses LOW momentarily when and End-of-Message (EOM) or end-of-memory marker is encountered in a playback cycle.  |

Note: <sup>1</sup> The REC signal is internally debounced on the rising edge to prevent a false re-triggering from a push-button switch.



## 7. FUNCTIONAL DESCRIPTION

### 7.1. DETAILED DESCRIPTION

#### Speech/Sound Quality

Winbond's patented ChipCorder® technology provides natural record and playback. The input voice signals are stored directly in nonvolatile cells and are reproduced without the synthetic effect often heard with digital solid-state speech solutions. A complete sample is stored in a single cell, minimizing the memory necessary to store a single message.

#### Duration

The ISD1800 devices offer single-chip solutions with 6 to 16 seconds of record/playback duration capacity. Sampling rate and duration are determined by an external resistor connected to the RO SC pin. These specifications apply with the required resistor value for playback duration.

| Sample Rate \ Duration | 8 KHz  | 6.4 KHz  | 5.3 KHz | 4 HKz   |
|------------------------|--------|----------|---------|---------|
| I1806                  | 6 secs | 7.5 secs | 9 secs  | 12 secs |
| I1810                  | 8 secs | 10 secs  | 12 secs | 16 secs |
| RO SC                  | 80 KΩ  | 100 KΩ   | 120 KΩ  | 160 KΩ  |

#### Non-Volatile Storage

The ISD1800 product utilizes the on-chip Flash memory providing zero-power message storage. The message is retained for up to 100 years without power. In addition, the device can be re-recorded typically over 100,000 times.

#### Basic Operation

The ISD1800 ChipCorder® device is controlled by the REC pin, and either of two playback pins, PLAYE (edge-activated playback), and PLAYL (level-activated playback). The ISD1800 parts are configured for design simplicity in a single-message application. Device operation is explained in section 7.2, "Functional Description Example".

#### Automatic Power-Down Mode

At the end of a playback or record cycle, the ISD1800 device automatically returns to a low-power standby mode, consuming typically 0.5μA, provided that Play REC, XCLK, and FT pins are LOW (see DC parameters, section 10). During a playback cycle, the device powers down automatically at the end of the message. During a record cycle, the device powers down immediately after REC is released LOW.



## 7.2. FUNCTIONAL DESCRIPTION EXAMPLE

The following example operating sequence demonstrates the functionality of the ISD1800 devices.

### 1. Record a message filling the memory

Pulling the REC pin HIGH initiates a record cycle from the beginning of the message space. The device will automatically power down after REC is release LOW. An EOM marker is written at the end of message. If REC is held HIGH, the recording continues until the message space has been filled. Once the message space is filled, recording ceases.

### 2. Edge-activated playback

Pulling the PLAYE pin HIGH initiates a playback cycle from the beginning of the message space. When the device reaches the EOM marker, it automatically powers down. If a recording has filled the message space, the entire message is played. A subsequent rising edge on PLAYE initiates a new play cycle from the beginning of the memory.

### 3. Level-activated playback

Pulling the PLAYL pin HIGH initiates a playback cycle from the beginning of the message space. When the device reaches the EOM marker, it automatically powers down. If a recording has filled the message space, the entire message is played. A subsequent rising edge on PLAYL initiates a new play cycle from the beginning of the memory.

### 4. Level-activated playback (truncated)

If PLAYL is pulled LOW any time during the playback cycle, the device stops playing and enters the power-down mode. A subsequent rising edge on PLAYL initiates a new play cycle from the beginning of the memory.

### 5. Record (interrupting playback)

The REC pin takes precedence over other operations. Any HIGH-going transition on REC initiates a new record operation from the beginning of the memory, regardless of any current operation in progress.

### 6. Record a message, partially filling the memory

A record operation need not fill the entire memory. Releasing the REC pin LOW before filling the message space causes the recording to stop and an EOM marker to be placed. The device powers down automatically.

### 7. Playback a message that partially fills the memory

Pulling the PLAYE or PLAYL pin HIGH initiates a playback cycle. The playback cycle ceases when the EOM marker is encountered and the device then powers down.



## 8. RECLED operation

The RECLED output pin provides an active-LOW signal, which can be used to drive an LED as a “record-in-progress” indicator. It returns to a HIGH state when the REC pin is released LOW or when the recording is completed due to the memory being filled. This pin also pulses LOW to indicate the end of a message has been reached.

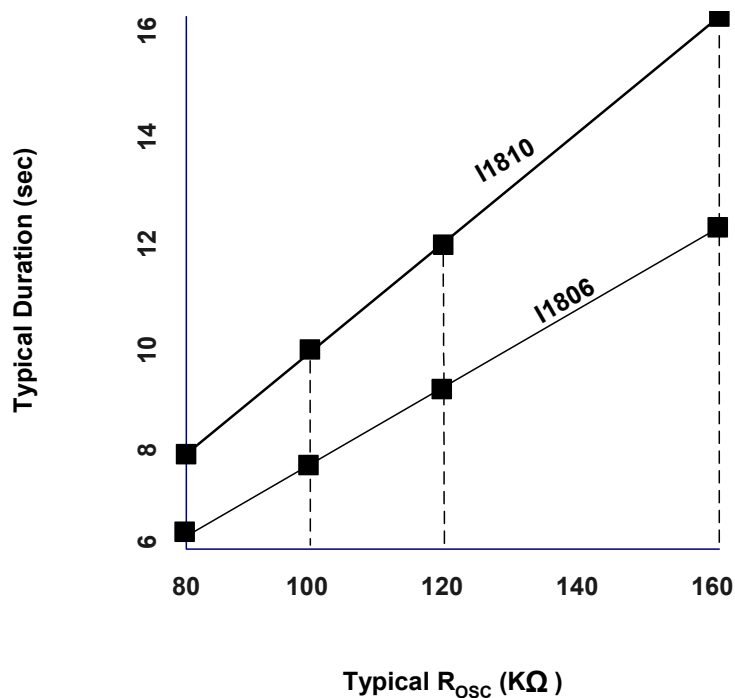
## 9. ROSC operation

The duration of the device can be varied by changing the value of R2 ( $R_{OSC}$ ). This means the ISD1800 device can actually be between 6 to 16 seconds duration. See the curve below, which charts typical durations when the  $R_{OSC}$  is varied from 80 K $\Omega$  to 160 K $\Omega$ .

This feature allows frequency shifting where a recorded voice or sound can be played back faster or slower than normal for special effects. For example, use a 100 K $\Omega$  resistor to make the recording and then playback with either an 80 K $\Omega$  resistor for faster “chipmunk” talk or with a 120 K $\Omega$  resistor for a slower, lower voice.

Another feature is a “Pause” or interrupt function that can be done by taking the  $R_{OSC}$  resistor to  $V_{CC}$  to stop playback momentarily, resuming when the resistor is connected back to ground.

Chart 1: ISD Duration Versus  $R_{OSC}$  at  $T_A = 25^\circ\text{C}$  and  $V_{CC} = 3.0\text{V}$





## 8. TIMING DIAGRAMS

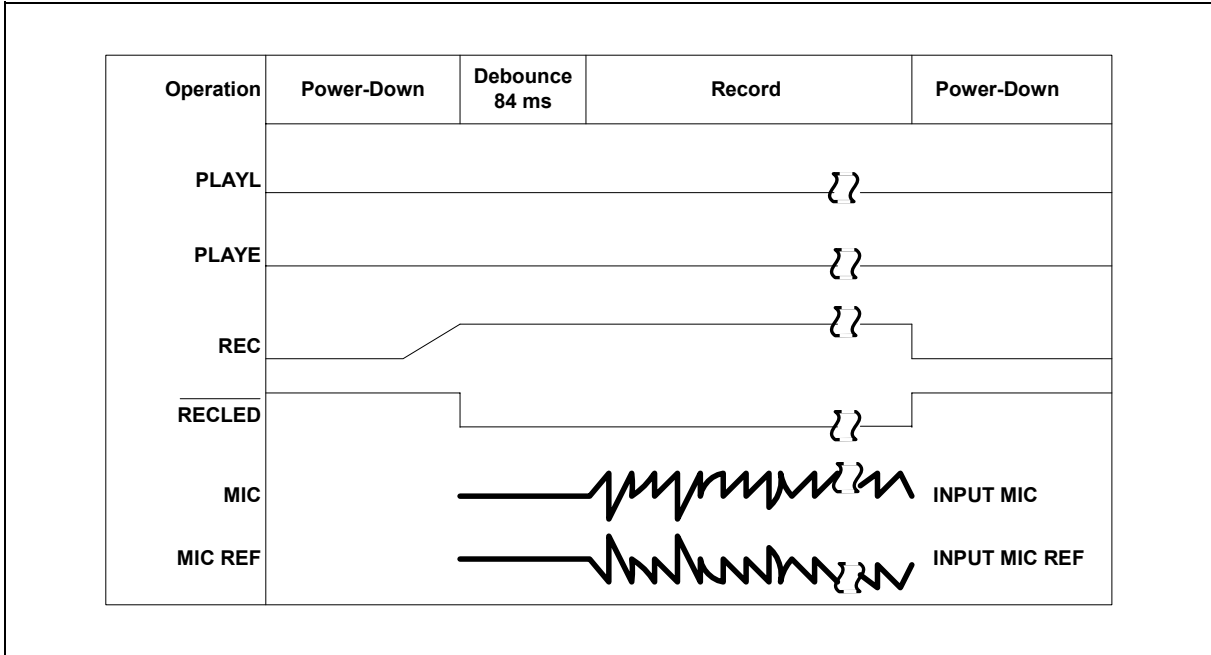


FIGURE 1: RECORD MESSAGE UNTIL RECORD GOES LOW

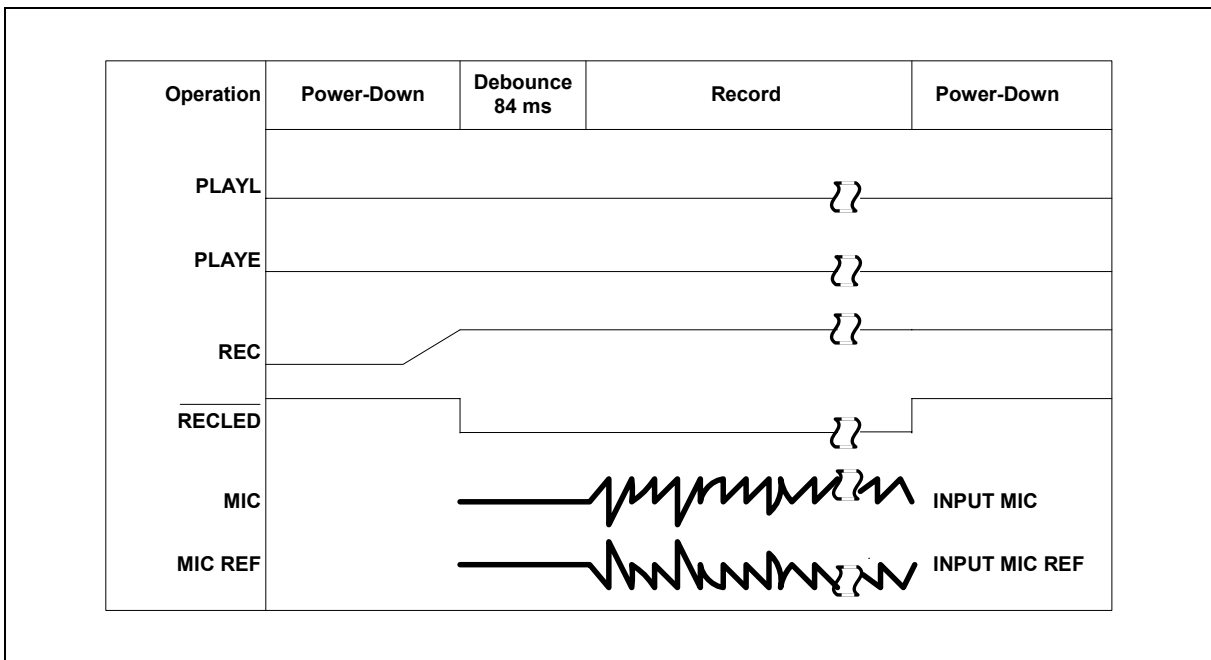


FIGURE 2: RECORD MESSAGE UNTIL ARRAY IS FULL

# ISD1800 SERIES

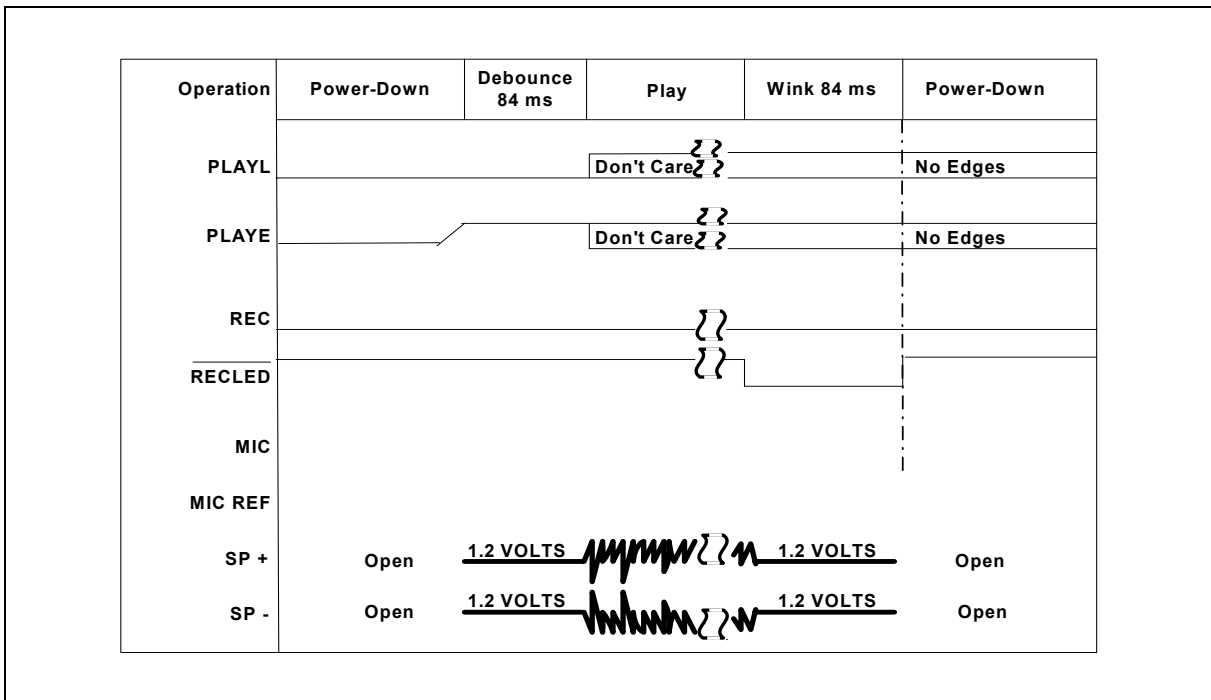


FIGURE 3: PLAY EDGE (PLAYE) PLAY UNTIL END OF MESSAGE

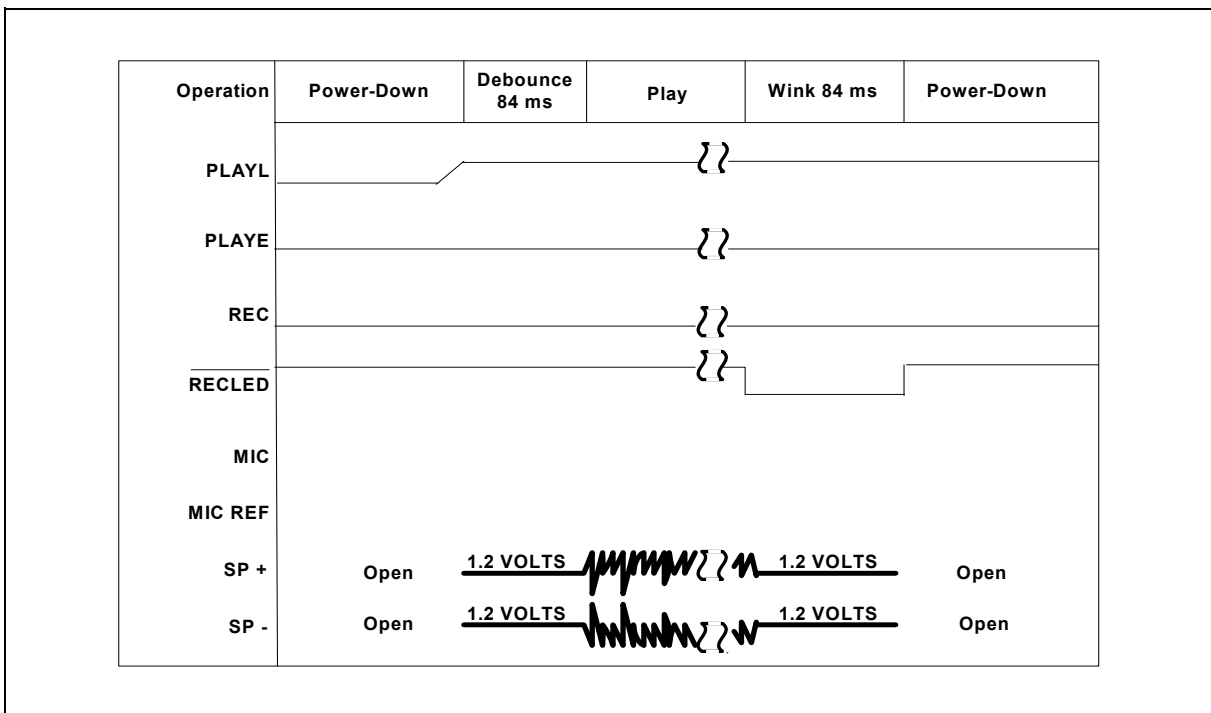


FIGURE 4: PLAY LEVEL (PLAYL) PLAY UNTIL END OF MESSAGE

# ISD1800 SERIES

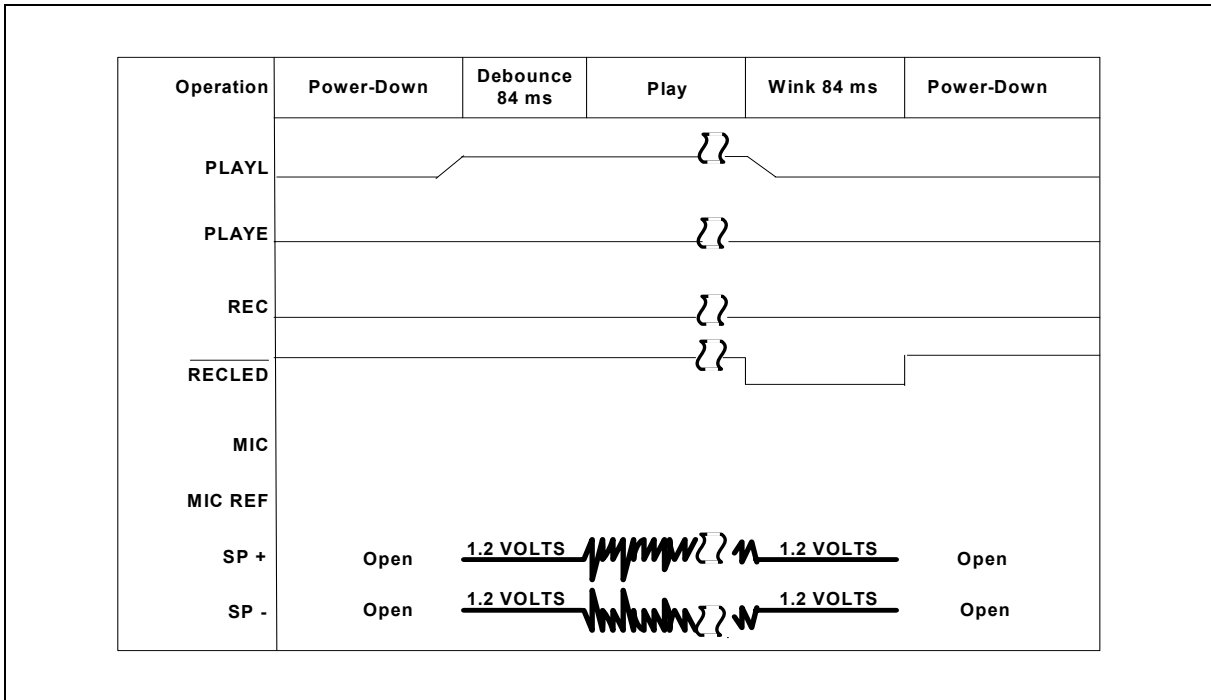


FIGURE 5: PLAY UNTIL PLAY LEVEL (PLAYL) FALLS

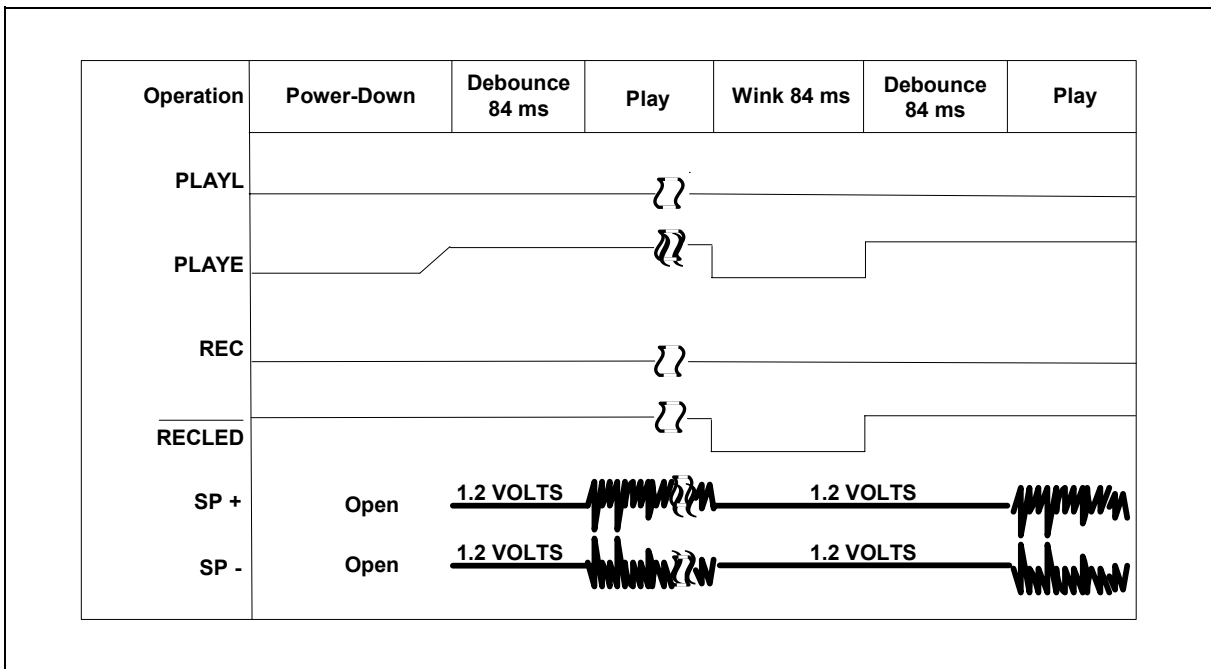


FIGURE 6: LOOPING PLAY, PLAYE TO RECLED

Note: Looping playback operation can be performed by connecting the RECLED pin to PLAYE pin.



## 9. ABSOLUTE MAXIMUM RATINGS <sup>[1]</sup>

### ABSOLUTE MAXIMUM RATINGS (DIE)

| CONDITION                         | VALUE  |
|-----------------------------------|--|
| Junction temperature              | 150°C  |
| Storage temperature range         | -65°C to +150°C                                    |
| Voltage applied to any pin        | (V <sub>SS</sub> -0.3V) to (V <sub>CC</sub> +0.3V) |
| V <sub>CC</sub> - V <sub>SS</sub> | -0.3V to +7.0V                                     |

### ABSOLUTE MAXIMUM RATINGS (PACKAGED PARTS)

| CONDITION                            | VALUE  |
|--------------------------------------|--|
| Junction temperature                 | 150°C  |
| Storage temperature range            | -65°C to +150°C                                    |
| Voltage applied to any pin           | (V <sub>SS</sub> -0.3V) to (V <sub>CC</sub> +0.3V) |
| Lead temperature (Soldering - 10sec) | 300°C  |
| V <sub>CC</sub> - V <sub>SS</sub>    | -0.3V to +7.0V                                     |

<sup>[1]</sup> Stresses above those listed may cause permanent damage to the device. Exposure to the absolute maximum ratings may affect device reliability and performance. Functional operation is not implied at these conditions.



## 9.1 OPERATING CONDITIONS

### OPERATING CONDITIONS (DIE)

| CONDITION   | VALUE          |
|---|----------------|
| Operating temperature range                       | 0°C to +50°C   |
| Play voltage ( $V_{CC}$ ) <sup>[1]</sup>          | +2.7V to +4.5V |
| Ground voltage ( $V_{SS}$ ) <sup>[2]</sup>        | 0V             |
| Record Supply voltage ( $V_{CC}$ ) <sup>[1]</sup> | +2.7V to 4.5V  |

### OPERATING CONDITIONS (PACKAGED PARTS)

| CONDITION   | VALUE          |
|---|----------------|
| Commercial operating temperature range (Case temperature) | 0°C to +70°C   |
| Play voltage ( $V_{CC}$ ) <sup>[1]</sup>                  | +2.7V to +4.5V |
| Ground voltage ( $V_{SS}$ ) <sup>[2]</sup>                | 0V             |
| Record Supply voltage ( $V_{CC}$ ) <sup>[1]</sup>         | +2.7V to 4.5V  |

<sup>[1]</sup>  $V_{CC} = V_{CCA} = V_{CCD}$

<sup>[2]</sup>  $V_{SS} = V_{SSA} = V_{SSD}$



## 10. ELECTRICAL CHARACTERISTICS

### 10.1. DC PARAMETERS

| PARAMETER                    | SYMBOL                | MIN <sup>[2]</sup> | TYP <sup>[1]</sup> | MAX <sup>[2]</sup> | UNITS         | CONDITIONS                       |
|------------------------------|-----------------------|--------------------|--------------------|--------------------|---------------|----------------------------------|
| Input Low Voltage            | $V_{IL}$              |                    |                    | 0.8                | V             |                                  |
| Input High Voltage           | $V_{IH}$              | 2.0                |                    |                    | V             |                                  |
| Output Low Voltage           | $V_{OL}$              |                    |                    | 0.4                | V             | $I_{OL} = 4.0 \text{ mA}^{[3]}$  |
| Output High Voltage          | $V_{OH}$              | 2.4                |                    |                    | V             | $I_{OH} = -1.6 \text{ mA}^{[3]}$ |
| $V_{CC}$ Current (Operating) | $I_{CC}$              |                    |                    | 30                 | mA            | $V_{CC} = 4.5\text{V}$           |
| $V_{CC}$ Current (Standby)   | $I_{SB}$              |                    | 0.5                | 10                 | $\mu\text{A}$ | <sup>[4]</sup> <sup>[5]</sup>    |
| Input Leakage Current        | $I_{ILPD1}$           |                    |                    | $\pm 1$            | $\mu\text{A}$ | Force $V_{SS}^{[6]}$             |
| Input Current HIGH           | $I_{ILPD2}$           | 30                 | 150                | 400                | $\mu\text{A}$ | Force $V_{CC}^{[7]}$             |
| Input Current HIGH           | $I_{ILPD3}$           | 3                  |                    | 130                | $\mu\text{A}$ | Force $V_{CC}^{[8]}$             |
| Output Load Impedance        | $R_{EXT}$             | 8                  |                    |                    | $\Omega$      | Speaker Load, SP+ to SP-         |
| Preamp Input Resistance      | $R_{MIC}, R_{MICREF}$ |                    | 10                 |                    | K $\Omega$    |                                  |
| MIC SP+/- Gain               | $A_{MSP}$             |                    | 40                 |                    | dB            | AGC = 0.0V                       |

Notes:

<sup>[1]</sup> Typical values @  $T_A = 25^\circ$  and  $V_{CC} = 3.0\text{V}$ .

<sup>[2]</sup> All Min/Max limits are guaranteed by Winbond via electrical testing or characterization. Not all specifications are 100 percent tested.

<sup>[3]</sup> Record LED output,  $\overline{RECLED}$ .

<sup>[4]</sup>  $V_{CCA}$  and  $V_{CCD}$  connected together.

<sup>[5]</sup> REC, PLAYL, PLAYE, XCLK, and FT must be at  $V_{SSD}$ .

<sup>[6]</sup> REC, PLAYL and PLAYE.

<sup>[7]</sup> REC, PLAYL and PLAYE.

<sup>[8]</sup> Test limits of Final Test.

# ISD1800 SERIES



## 10.2. AC PARAMETERS<sup>[1]</sup>

| CHARACTERISTIC              | SYMBOL            | MIN <sup>[3]</sup> | TYP <sup>[2]</sup> | MAX <sup>[3]</sup> | UNITS | CONDITIONS   |
|-----------------------------|-------------------|--------------------|--------------------|--------------------|-------|--|
| Sampling Frequency          | F <sub>S</sub>    |                    | 8                  |                    | KHz   | <sup>[4]</sup>   |
| Filter Pass Band            | F <sub>CF</sub>   | ISD1806            | 2.2                |                    | KHz   | 3 dB Roll-Off Point<br>R <sub>OSC</sub> = 100 KΩ <sup>[5][6]</sup> |
|                             |                   | ISD1810            | 2.2                |                    |       |  |
| Record Duration             | T <sub>REC</sub>  | ISD1806            | 7.5                |                    | sec   | R <sub>OSC</sub> = 100KΩ <sup>[4]</sup>                            |
|                             |                   | ISD1810            | 10                 |                    |       |  |
| Playback Duration           | T <sub>PLAY</sub> | ISD1806            | 7.5                |                    | sec   | R <sub>OSC</sub> = 100KΩ <sup>[4]</sup>                            |
|                             |                   | ISD1810            | 10                 |                    |       |  |
| EOM Pulse Width             | T <sub>EOM</sub>  |                    | 84                 |                    | msec  |  |
| Debounce Time               | T <sub>DB</sub>   |                    | 84                 |                    | msec  |  |
| Total Harmonic Distortion   | THD               |                    | 1                  |                    | %     | @ 1KHz,<br>V <sub>IN</sub> =15mV pk-to-pk                          |
| Speaker Output Power        | P <sub>OUT</sub>  |                    | 24.4               |                    | mW    | R <sub>EXT</sub> = 8Ω  |
| Voltage Across Speaker Pins | V <sub>OUT</sub>  |                    | 1.25               | 2.5                | Vp-p  | R <sub>EXT</sub> = 600Ω  |
| MIC Input Voltage           |                   |                    | 15                 | 300                | mV    | Peak-to-Peak <sup>[7]</sup>  |

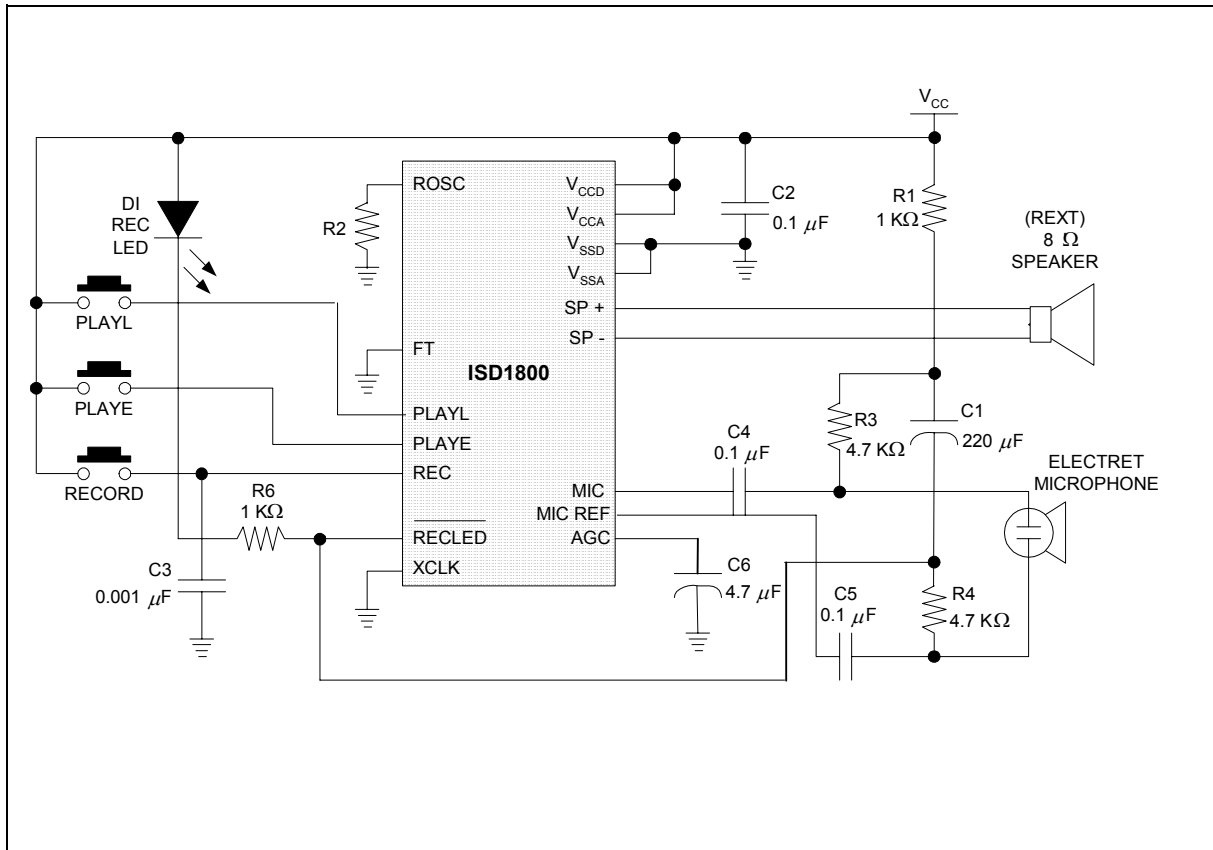
Notes:

- <sup>[1]</sup> These specifications apply with R<sub>OSC</sub> = 100KΩ, unless stated.
- <sup>[2]</sup> Typical values @ T<sub>A</sub> = 25° and V<sub>CC</sub> = 3.0V.
- <sup>[3]</sup> All Min/Max limits are guaranteed by Winbond via electrical testing or characterization. Not all specifications are 100 percent tested.
- <sup>[4]</sup> Oscillator stability may vary as much as ±5% over the operating temperature and voltage ranges. (Only the 7.5 sec duration of I1806 and 10 sec duration of I1810 are tested/guaranteed)
- <sup>[5]</sup> Low-frequency cutoff depends upon value of external capacitors (see Pin Descriptions)
- <sup>[6]</sup> Filter specification applies to the anti-aliasing filter and to the smoothing filter.
- <sup>[7]</sup> Balanced input signal applied between MIC and MIC REF as shown in the applications example. Single-ended MIC or MIC REF recommended to be less than 100 mV peak to peak.

# ISD1800 SERIES



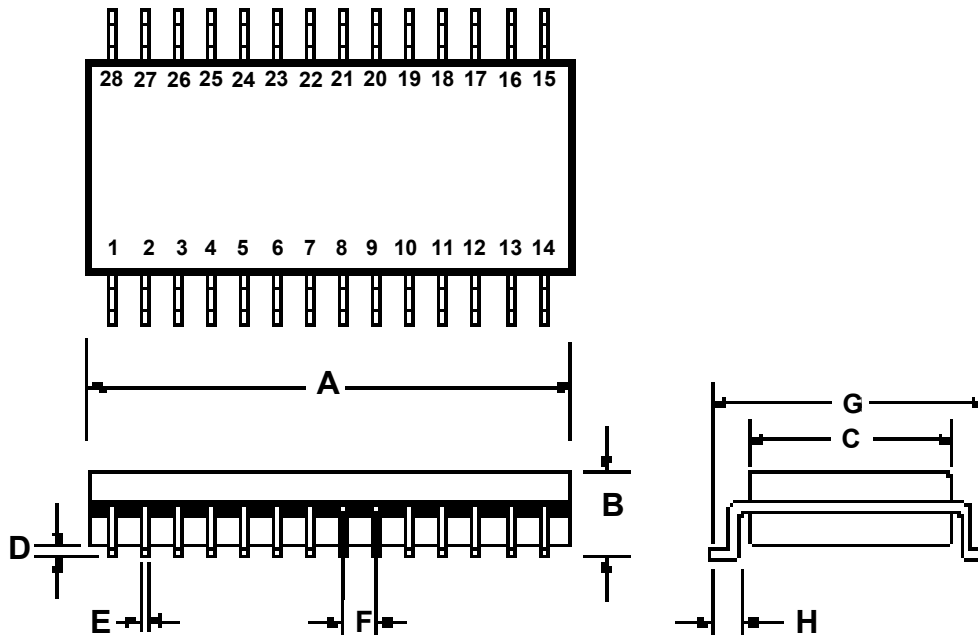
## 11. TYPICAL APPLICATION CIRCUIT





## 12. PACKAGE DRAWING AND DIMENSIONS

### 12.1. 28-LEAD 300MIL SMALL OUTLINE IC (SOIC) PACKAGE



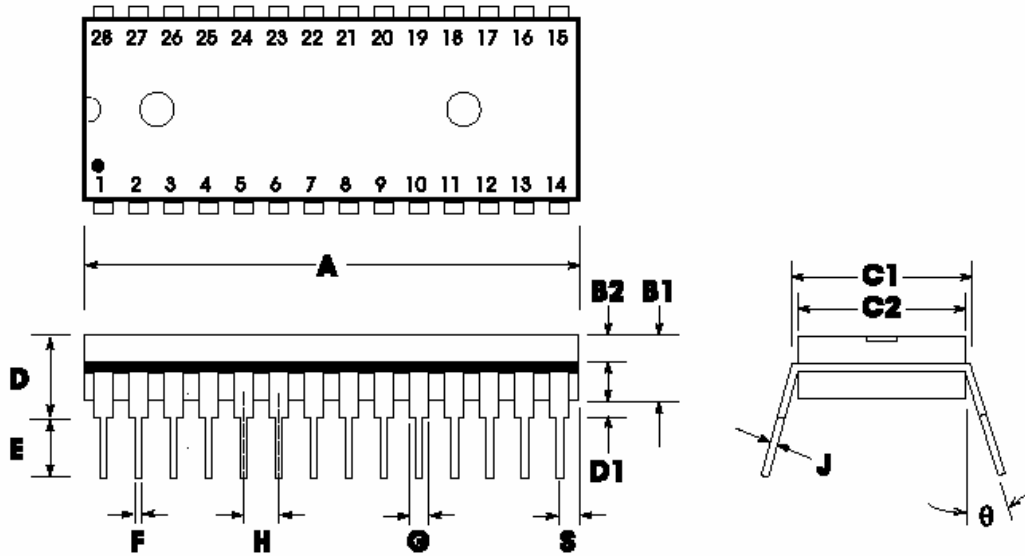
|   | INCHES |       |        | MILLIMETERS |       |       |
|---|--------|-------|--------|-------------|-------|-------|
|   | Min    | Nom   | Max    | Min         | Nom   | Max   |
| A | 0.701  | 0.706 | 0.711  | 17.81       | 17.93 | 18.06 |
| B | 0.097  | 0.101 | 0.104  | 2.46        | 2.56  | 2.64  |
| C | 0.292  | 0.296 | 0.299  | 7.42        | 7.52  | 7.59  |
| D | 0.005  | 0.009 | 0.0115 | 0.127       | 0.22  | 0.29  |
| E | 0.014  | 0.016 | 0.016  | 0.35        | 0.41  | 0.48  |
| F |        | 0.050 |        |             | 1.27  | 0     |
| G | 0.400  | 0.406 | 0.410  | 10.16       | 10.31 | 10.41 |
| H | 0.024  | 0.032 | 0.040  | 0.61        | 0.81  | 1.02  |

Note: Lead coplanarity to be within 0.004 inches.

# ISD1800 SERIES



## 12.2. 28-LEAD 600MIL PLASTIC DUAL INLINE PACKAGE (PDIP) – SAMPLES ONLY



|    | INCHES |       |       | MILLIMETERS |       |       |
|----|--------|-------|-------|-------------|-------|-------|
|    | Min    | Nom   | Max   | Min         | Nom   | Max   |
| A  | 1.445  | 1.450 | 1.455 | 36.70       | 36.83 | 36.96 |
| B1 |        | 0.150 |       |             | 3.81  |       |
| B2 | 0.065  | 0.070 | 0.075 | 1.65        | 1.78  | 1.91  |
| C1 | 0.600  |       | 0.625 | 15.24       |       | 15.88 |
| C2 | 0.530  | 0.540 | 0.550 | 13.46       | 13.72 | 13.97 |
| D  |        |       | 0.19  |             |       | 4.83  |
| D1 | 0.015  |       |       | 0.38        |       |       |
| E  | 0.125  |       | 0.135 | 3.18        |       | 3.43  |
| F  | 0.015  | 0.018 | 0.022 | 0.38        | 0.46  | 0.56  |
| G  | 0.055  | 0.060 | 0.065 | 1.40        | 1.52  | 1.62  |
| H  |        | 0.100 |       |             | 2.54  |       |
| J  | 0.008  | 0.010 | 0.012 | 0.20        | 0.25  | 0.30  |
| S  | 0.070  | 0.075 | 0.080 | 1.78        | 1.91  | 2.03  |
| q  | 0°     |       | 15°   | 0°          |       | 15°   |

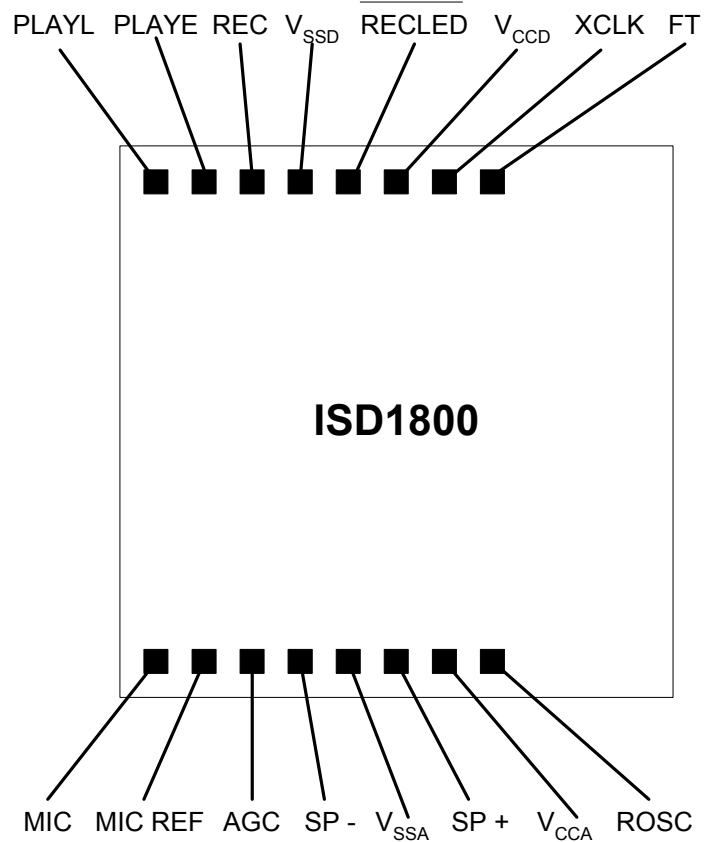
# ISD1800 SERIES



## 12.3. ISD1800 BONDING PHYSICAL LAYOUT (DIE)

### ISD1800

- Die Dimensions
  - X: 2530 $\mu$ m (99.6mils)
  - Y: 2420 $\mu$ m (95.3mils)
- Die Thickness
  - 11.5  $\pm$ 0.5 mil (typ)
- Pad Opening
  - 90 x 90 microns



#### Notes:

1. The backside of die is internally connected to V<sub>SS</sub>. It **MUST NOT** be connected to any other potential or damage may occur.
2. Die thickness is subject to change, please contact Winbond factory for status and availability.

# ISD1800 SERIES



## ISD1800 PAD (X,Y) COORDINATES

(with respect to die center)

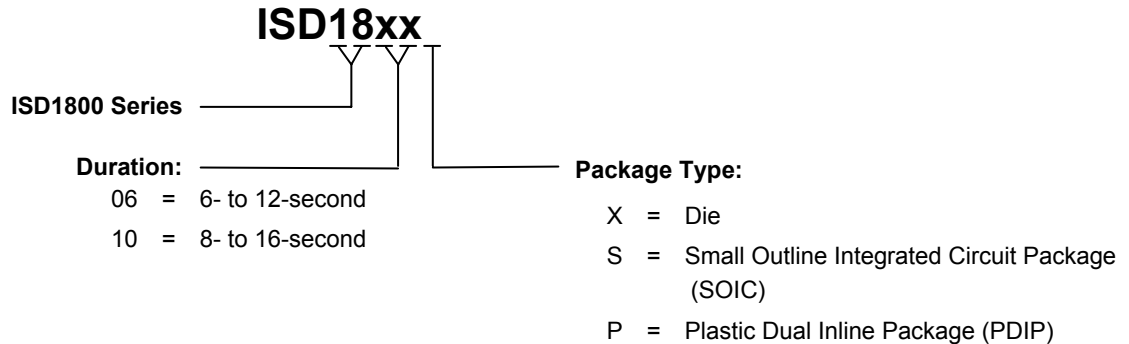
| PAD # | PAD Name                    | Pin # | X Axis ( $\mu\text{m}$ ) | Y Axis ( $\mu\text{m}$ ) |
|-------|-----------------------------|-------|--------------------------|--------------------------|
| 1     | AGC                         | 13    | -522.35                  | -1037.20                 |
| 2     | RECLE $\overline{\text{D}}$ | 28    | -126.05                  | 1038.70                  |
| 3     | VCCD                        | 27    | 122.15                   | 1038.70                  |
| 4     | XCLK                        | 26    | 358.38                   | 1038.70                  |
| 5     | FT                          | 25    | 630.45                   | 1018.90                  |
| 6     | VSSD                        | 1     | -368.95                  | 1038.70                  |
| 7     | REC                         | 2     | -558.98                  | 1038.70                  |
| 8     | PLAYE                       | 3     | -760.15                  | 1038.70                  |
| 9     | PLAYL                       | 4     | -977.35                  | 1038.70                  |
| 10    | SP+                         | 17    | 465.85                   | -1024.10                 |
| 11    | ROSC                        | 19    | 1007.85                  | -1037.20                 |
| 12    | VCCA                        | 18    | 772.85                   | -1037.20                 |
| 13    | VSSA                        | 16    | 158.85                   | -1037.20                 |
| 14    | SP-                         | 15    | -148.15                  | -1024.10                 |
| 15    | MIC                         | 10    | -977.75                  | -1037.20                 |
| 16    | MIC REF                     | 12    | -741.75                  | -1037.20                 |
|       | NC                          | 5     |                          |                          |
|       | NC                          | 6     |                          |                          |
|       | NC                          | 7     |                          |                          |
|       | NC                          | 8     |                          |                          |
|       | NC                          | 9     |                          |                          |
|       | NC                          | 11    |                          |                          |
|       | NC                          | 14    |                          |                          |
|       | NC                          | 20    |                          |                          |
|       | NC                          | 21    |                          |                          |
|       | NC                          | 22    |                          |                          |
|       | NC                          | 23    |                          |                          |
|       | NC                          | 24    |                          |                          |

# ISD1800 SERIES



## 13. ORDERING INFORMATION

### Product Number Descriptor Key



When ordering, please refer to the following part numbers that are supported in volume for this product series. Consult the local Winbond Sales Representative or Distributor for availability information.

| Package | Part Number | Ordering Number | Comments     |
|---------|-------------|-----------------|--------------|
| Die     | ISD1806X    | I1806X          |              |
| SOIC    | ISD1806S    | I1806S          |              |
| PDIP    | ISD1806P    | I1806P          | Samples Only |
| Die     | ISD1810X    | I1810X          |              |
| SOIC    | ISD1810S    | I1810S          |              |
| PDIP    | ISD1810P    | I1810P          | Samples Only |

For the latest product information, access Winbond's worldwide website at <http://www.winbond-usa.com>

# ISD1800 SERIES



## 14. VERSION HISTORY

| VERSION | DATE     | DESCRIPTION  |
|---------|----------|--|
| 0.0     | May 2003 | Preliminary Specifications. Create one datasheet for both I1806 and I1810 products.<br>Revise duration section with both products.<br>Change filter passband values from 2.6 kHz to 2.2kHz in AC Parameters section.   |
| 0.1     | Mar 2005 | Revise series name from I1800 to ISD1800<br>Update block diagram<br>Revise AGC in pin description<br>Revise the MIC and MIC REF polarity in applications diagram<br>Update die information section<br>Update the ordering information section<br>Update the disclaim section |
| 0.2     | Apr 2005 | Revise record cycles info in feature and storage sections<br>Update the disclaim section   |
| 0.3     | Jun 2005 | Revise Pout and Vout data in AC Parameters section   |

# ISD1800 SERIES



Winbond products are not designed, intended, authorized or warranted for use as components in systems or equipment intended for surgical implantation, atomic energy control instruments, airplane or spaceship instruments, transportation instruments, traffic signal instruments, combustion control instruments, or for other applications intended to support or sustain life. Furthermore, Winbond products are not intended for applications wherein failure of Winbond products could result or lead to a situation wherein personal injury, death or severe property or environmental damage could occur.

Winbond customers using or selling these products for use in such applications do so at their own risk and agree to fully indemnify Winbond for any damages resulting from such improper use or sales.

The contents of this document are provided only as a guide for the applications of Winbond products. Winbond makes no representation or warranties with respect to the accuracy or completeness of the contents of this publication and reserves the right to discontinue or make changes to specifications and product descriptions at any time without notice. No license, whether express or implied, to any intellectual property or other right of Winbond or others is granted by this publication. Except as set forth in Winbond's Standard Terms and Conditions of Sale, Winbond assumes no liability whatsoever and disclaims any express or implied warranty of merchantability, fitness for a particular purpose or infringement of any Intellectual property.

The contents of this document are provided "AS IS", and Winbond assumes no liability whatsoever and disclaims any express or implied warranty of merchantability, fitness for a particular purpose or infringement of any Intellectual property. In no event, shall Winbond be liable for any damages whatsoever (including, without limitation, damages for loss of profits, business interruption, loss of information) arising out of the use of or inability to use the contents of this documents, even if Winbond has been advised of the possibility of such damages.

Application examples and alternative uses of any integrated circuit contained in this publication are for illustration only and Winbond makes no representation or warranty that such applications shall be suitable for the use specified.

The 100-year retention and 100K record cycle projections are based upon accelerated reliability tests, as published in the Winbond Reliability Report, and are neither warranted nor guaranteed by Winbond. This product incorporates SuperFlash®.

Information contained in this ISD® ChipCorder® datasheet supersedes all data for the ISD ChipCorder products published by ISD® prior to August, 1998.

This datasheet and any future addendum to this datasheet is(are) the complete and controlling ISD® ChipCorder® product specifications. In the event any inconsistencies exist between the information in this and other product documentation, or in the event that other product documentation contains information in addition to the information in this, the information contained herein supersedes and governs such other information in its entirety. This datasheet is subject to change without notice.

Copyright® 2005, Winbond Electronics Corporation. All rights reserved. ChipCorder® and ISD® are trademarks of Winbond Electronics Corporation. SuperFlash® is the trademark of Silicon Storage Technology, Inc. All other trademarks are properties of their respective owners.



#### Headquarters

No. 4, Creation Rd. III  
Science-Based Industrial Park,  
Hsinchu, Taiwan  
TEL: 886-3-5770066  
FAX: 886-3-5665577  
<http://www.winbond.com.tw/>

#### Winbond Electronics Corporation America

2727 North First Street, San Jose,  
CA 95134, U.S.A.  
TEL: 1-408-9436666  
FAX: 1-408-5441797  
<http://www.winbond-usa.com/>

#### Winbond Electronics (Shanghai) Ltd.

27F, 299 Yan An W. Rd. Shanghai,  
200336 China  
TEL: 86-21-62365999  
FAX: 86-21-62356998

#### Taipei Office

9F, No. 480, Pueiguang Rd.  
Neihu District  
Taipei, 114 Taiwan  
TEL: 886-2-81777168  
FAX: 886-2-87153579

#### Winbond Electronics Corporation Japan

7F Daini-ueno BLDG. 3-7-18  
Shinyokohama Kohokuku,  
Yokohama, 222-0033  
TEL: 81-45-4781881  
FAX: 81-45-4781800

#### Winbond Electronics (H.K.) Ltd.

Unit 9-15, 22F, Millennium City,  
No. 378 Kwun Tong Rd.,  
Kowloon, Hong Kong  
TEL: 852-27513100  
FAX: 852-27552064

Please note that all data and specifications are subject to change without notice.  
All the trademarks of products and companies mentioned in this datasheet belong to their respective owners.