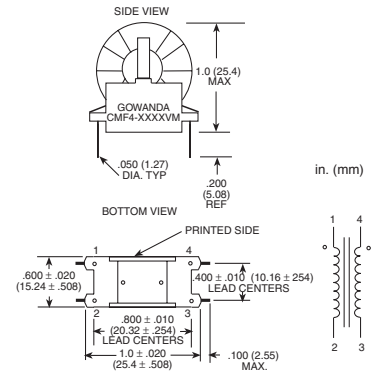


## CMF4 VM Vertical Mount Common Modes



PART NUMBER	INDUCTANCE @ 10 kHz $\mu\text{H} \pm 30\%^*$	DCR OHMS MAX.*	CURRENT RATING AMPS	LEAKAGE L $\mu\text{H REF.}$	INTERWINDING CAPACITANCE pF REF.
CMF4-1003VM	100	0.0025	15.0	1.4	3.3
CMF4-2503VM	250	0.0038	12.0	3.1	6.6
CMF4-5003VM	500	0.006	10.0	5.4	9.2
CMF4-7503VM	750	0.013	6.7	7.8	12.0
CMF4-1004VM	1000	0.018	5.7	10.0	10.0
CMF4-1704VM	1700	0.060	3.1	21.0	11.0
CMF4-2504VM	2500	0.073	2.8	28.0	15.0
CMF4-3304VM	3300	0.125	2.2	36.0	16.0
CMF4-5004VM	5000	0.150	2.0	50.0	19.0
CMF4-7504VM	7500	0.300	1.4	80.0	22.0
CMF4-1005VM	10000	0.390	1.2	90.0	20.0



**NOTES:**

- \* Inductance and DCR is for each side or single winding
- Operating temperature -55°C to +125°C
- Alternate mounting solutions available upon request.

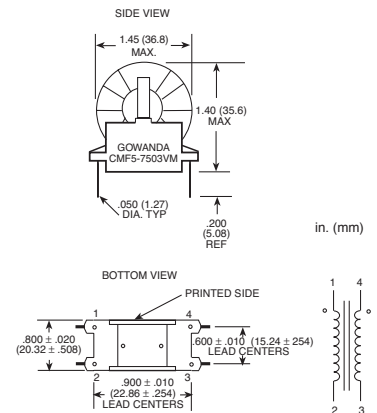
**PACKAGING SPECS:**

Bulk only.

## CMF5 VM Vertical Mount Common Modes



PART NUMBER	INDUCTANCE @ 10 kHz $\mu\text{H} \pm 30\%^*$	DCR OHMS MAX.*	CURRENT RATING AMPS	LEAKAGE L $\mu\text{H REF.}$	INTERWINDING CAPACITANCE pF REF.
CMF5-7503VM	750	0.009	11.8	8.2	10.0
CMF5-1004VM	1000	0.012	10.2	10.5	12.0
CMF5-1504VM	1500	0.015	9.1	12.9	14.0
CMF5-2004VM	2000	0.020	7.9	18.0	16.0
CMF5-3304VM	3300	0.035	6.0	27.0	19.0
CMF5-5004VM	5000	0.060	4.6	42.0	20.0
CMF5-7504VM	7500	0.120	3.2	68.0	22.0
CMF5-1005VM	10000	0.160	2.8	89.0	24.0
CMF5-1505VM	15000	0.250	2.2	119.0	27.0



**NOTES:**

- \* Inductance and DCR is for each side or single winding
- Operating temperature -55°C to +125°C
- Alternate mounting solutions available upon request.

**PACKAGING SPECS:**

Bulk only.