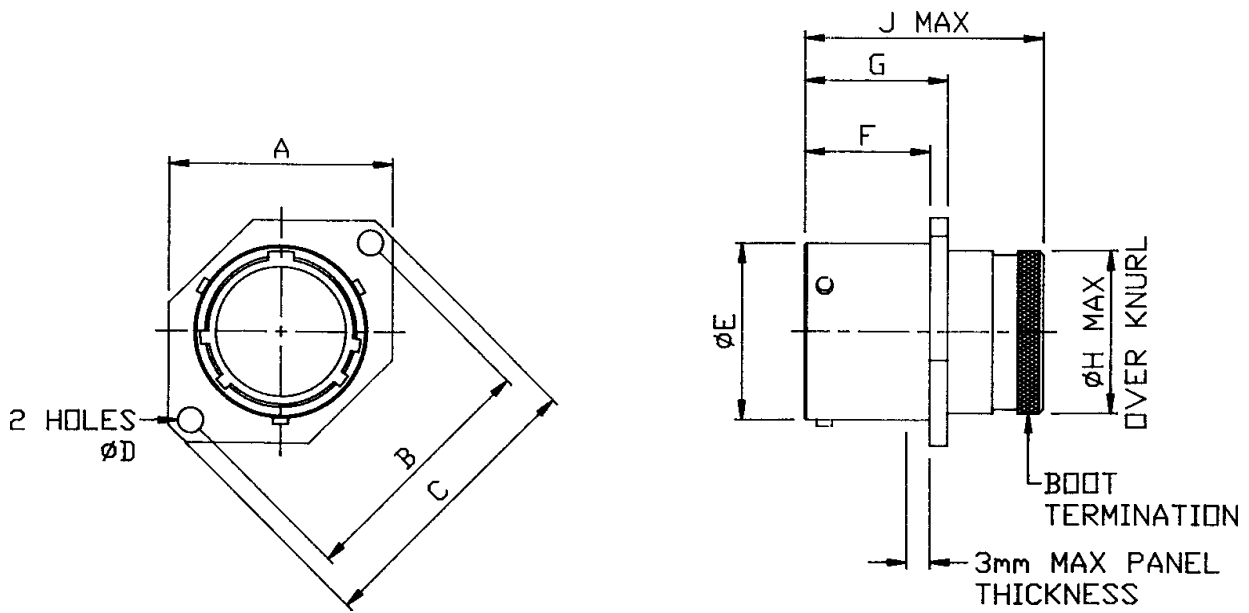


## Shell Styles

### Receptacle Type FC0



Shell Size	A	B + 0.20	C Max	D + 0.15 - 0.00	E + 0.00 - 0.13	F + 0.00 - 0.13	G + 0.15 - 0.00	H Max	J Max
8	20.62	21.40	27.20	3.20	12.00	16.05	18.21	13.89	30.91
10	23.83	25.90	32.00	3.20	15.00	16.05	18.21	16.97	30.91
12	26.19	29.10	35.20	3.20	19.05	16.05	18.21	20.14	30.91
14	28.58	32.50	38.40	3.20	22.22	16.05	18.21	23.29	30.91
16	30.96	34.80	41.00	3.20	25.40	16.05	18.21	26.48	30.91
18	33.32	38.20	44.70	3.20	28.57	16.05	18.21	29.65	30.91
20	36.53	41.50	48.30	3.20	31.78	15.29	18.21	33.08	30.91

All dimensions in mm for reference only