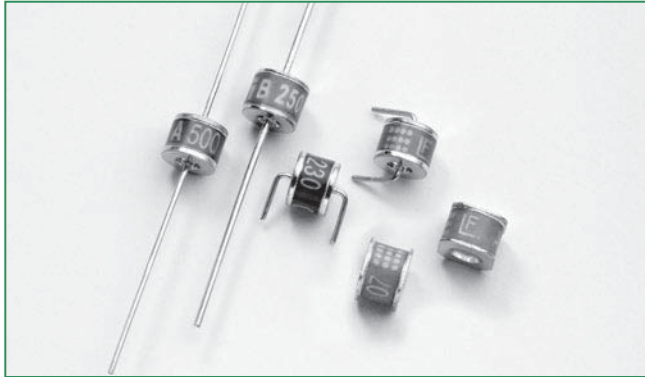


RoHS  **SL1011A/SL1011B/SL1411A Series**



Description

The SL1011A/SL1011B/SL1411A series provides high levels of protection against fast rising transients in the 100V/μs to 1kV/μs range usually caused by lightning disturbances.

The SL1011A/SL1011B/SL1411A series offers low capacitance (< 1.5pf) which provides low insertion loss at high frequencies.

SL1011A offers 5kA protection without destruction whereas the SL1011B and SL1411A offer 10kA surge protection without destruction (maximum single surge of 12kA @ 8/20μs).

Agency Approvals

AGENCY	AGENCY FILE NUMBER
	E128662

2 Electrode GDT Graphical Symbol



Features

- RoHS compliant
- Low insertion loss
- Excellent response to fast rising transients
- Ultra low capacitance
- 5kA (SL1011A) or 10kA (SL1011B & SL1411A) surge capability tested with 8/20μs pulse as defined by IEC 61000-4-5

Applications

- Broadband equipment
- ADSL equipment
- XDSL equipment
- Satellite and CATV equipment
- General telecom equipment

Electrical Characteristics

Part Number	Device Specifications (at 25°C)								Life Ratings																
	DC Breakdown in Volts ^{1,2} (@100V/s)			Impulse Breakdown in Volts ³ (@100V/μs)	Impulse Breakdown In Volts (@1kV/μs)	Insulation Resistance	Capacitance (@1MHz)	Arc Voltage (on state Voltage) @1Amp Min	Surge Life (@100A 10/1000μs)	Nominal Impulse Discharge Current (8/20μs)	Nominal AC Discharge Current (10x1s @50-60Hz)	AC Discharge Current (9 Cycles @ 50Hz)	DC Holdover Voltage ⁴	Max Impulse Discharge Current (1 Application)											
	MIN	TYP	MAX	MAX		MIN	MAX	TYP					TYP	@ 8/20μs	@ 10/350μs										
SL1011A075																									
SL1011B075	60	75	90	500	700	10 ¹⁰ Ω (at 50V)	1.5 pF	~20 V	300 shots	SL1011A: 10 shots (@5kA)	SL1011A: 5 A	SL1011A: 20 A	50 V	SL1011B & SL1411A: 12 kA	1 kA										
SL1411A075																									
SL1011A090																									
SL1011B090	72	90	108	500	600																				
SL1411A090																									
SL1011A145						10 ¹⁰ Ω (at 100V)	1.5 pF	~20 V	300 shots	SL1011B & SL1411A: 10 shots (@10kA)	SL1011B & SL1411A: 10 A	SL1011B & SL1411A: 65 A	135 V	SL1011B & SL1411A: 12 kA	1 kA										
SL1011B145	116	145	174	500	650																				
SL1011A150																									
SL1011B150	120	150	180	500	650																				
SL1011A230																									
SL1011B230	184	230	276	550	700																				
SL1411A230																									
SL1011A250																									
SL1011B250	200	250	300	600	800																				
SL1411A250																									
SL1011A260																									
SL1011B260	210	260	310	600	800																				
SL1011A350																									
SL1011B350	280	350	420	800	900																				
SL1411A350																									
SL1011A400	320	400	480	850	1000																				
SL1011A470																									
SL1411A470	376	470	564	1000	1100																				
SL1011A500	400	500	600	1100	1200																				
SL1011A600	480	600	720	1200	1400																				
SL1411A600																									

- Notes:
1. At delivery AQL 0.65 level II, DIN ISO 2859
 2. In ionized mode
 3. Comparable to the silicon measurement Switching Voltage (Vs)
 4. Tested according to ITU-T Rec. K.12 < 150 msec.

Product Characteristics

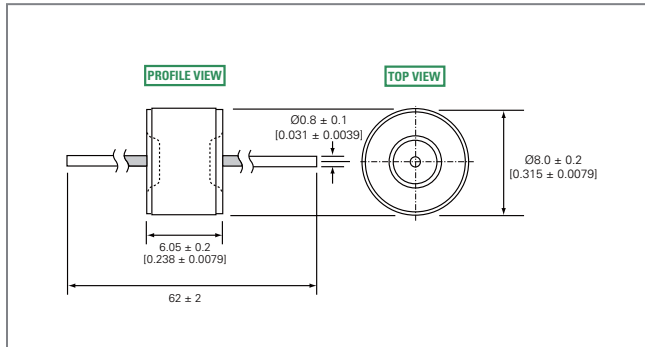
Materials	Leaded Device: Nickel-plated with Tin-plated wires Core and Surface Mount: Dull Tin-plated
Product Marking	Littelfuse 'LF' Mark, voltage and date code

Glow to Arc Transition Current	< 0.5 Amps
Glow Voltage	~60 Volts
Storage and Operational Temperature	-40 to +90°C

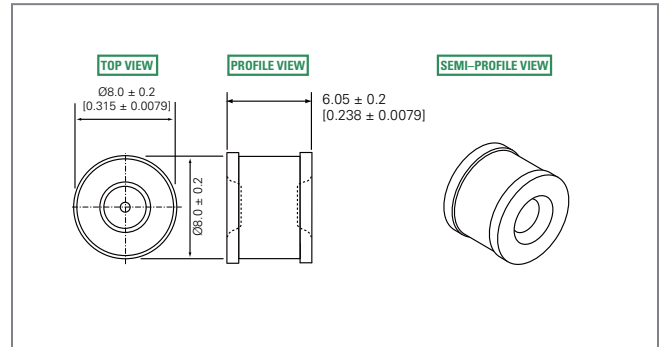
Device Dimensions

For SL1011A/SL1011B series:

'A' Type Axial Lead Devices

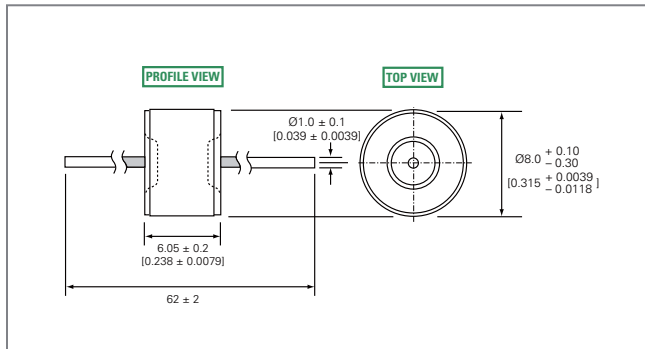


'C' Type Core Devices

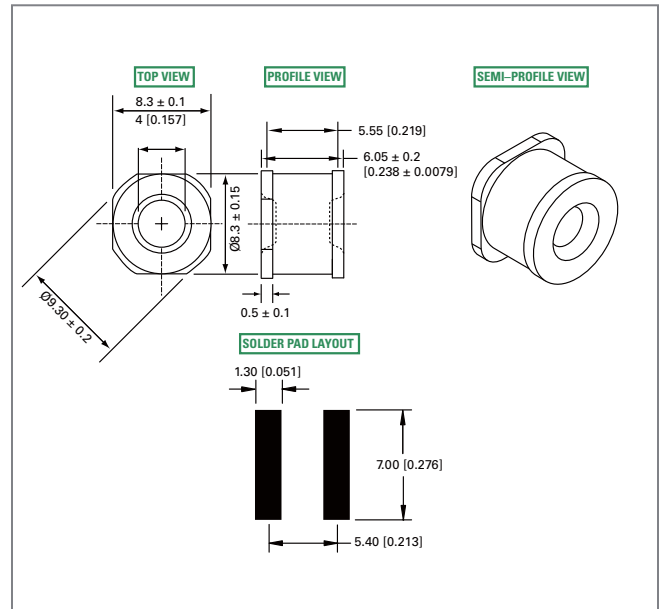


For SL1411A series:

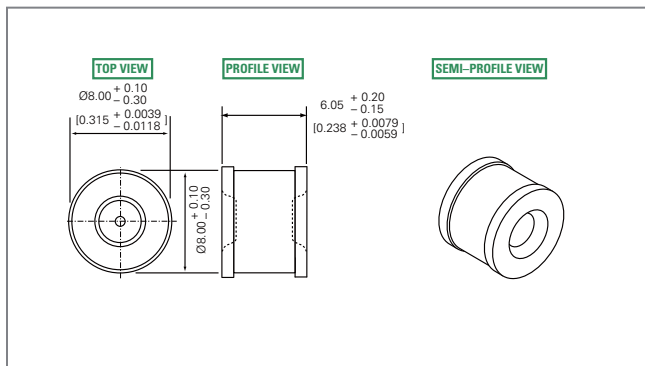
'A' Type Axial Lead Devices



'SM' Type Surface Mount Devices

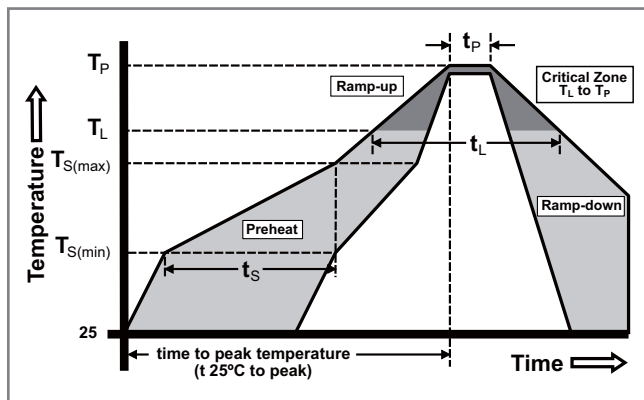


'C' Type Core Devices

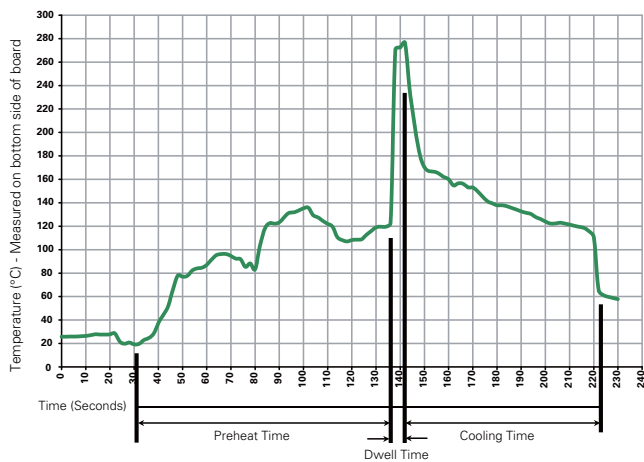


Soldering Parameters - Reflow Soldering (Surface Mount Devices)

Reflow Condition		Pb-free assembly
Pre Heat	- Temperature Min ($T_{s(min)}$)	150°C
	- Temperature Max ($T_{s(max)}$)	200°C
	- Time (Min to Max) (t_s)	60 – 180 seconds
Average Ramp-up Rate (Liquidus Temp (T_L) to peak)		3°C/second max.
$T_{s(max)}$ to T_L - Ramp-up Rate		5°C/second max.
Reflow	- Temperature (T_L) (Liquidus)	217°C
	- Temperature (t_L)	60 – 150 seconds
Peak Temperature (T_p)		260 ^{+0/-5} °C
Time within 5°C of Actual Peak Temperature (t_p)		10 – 30 seconds
Ramp-down Rate		6°C/second max.
Time 25°C to Peak Temperature (T_p)		8 minutes max.
Do not exceed		260°C



Soldering Parameters - Wave Soldering (Thru-Hole Devices)



Recommended Process Parameters:

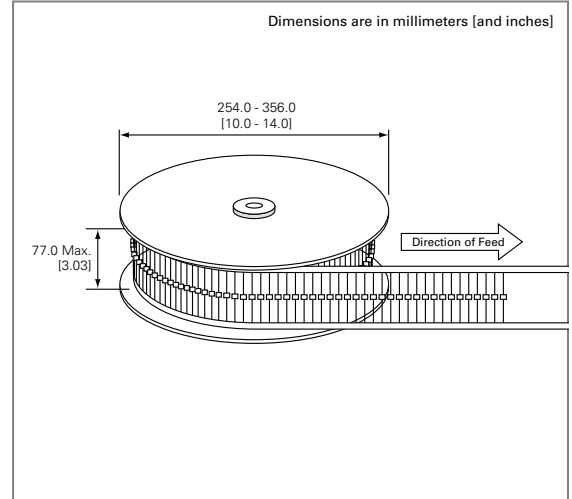
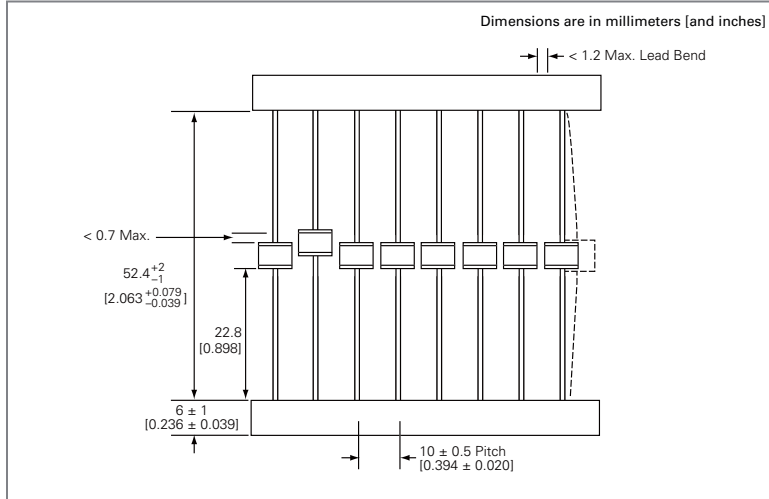
Wave Parameter	Lead-Free Recommendation
Preheat: (Depends on Flux Activation Temperature) (Typical Industry Recommendation)	
Temperature Minimum:	100° C
Temperature Maximum:	150° C
Preheat Time:	60-180 seconds
Solder Pot Temperature:	280° C Maximum
Solder Dwell Time:	2-5 seconds

Soldering Parameters - Hand Soldering

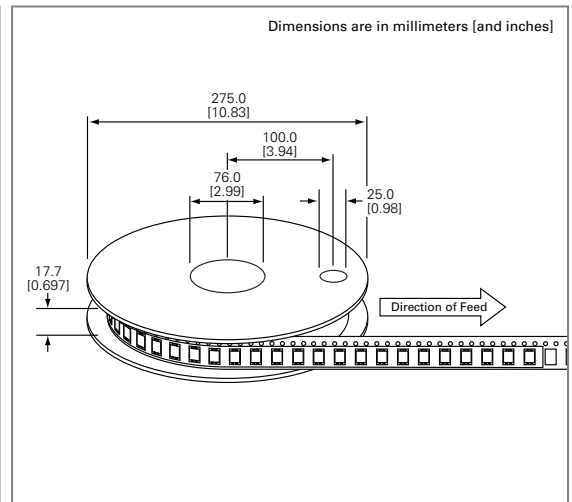
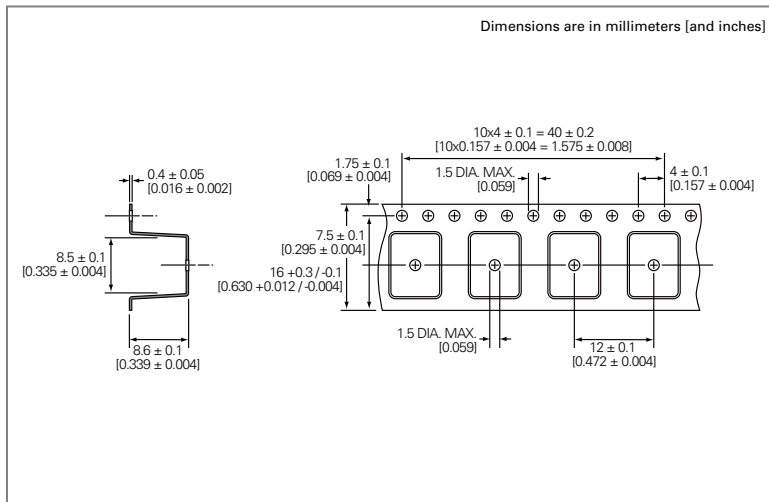
Solder Iron Temperature: 350° C +/- 5°C
 Heating Time: 5 seconds max.

Packaging Dimensions

For 'A' Type Axial Lead Items



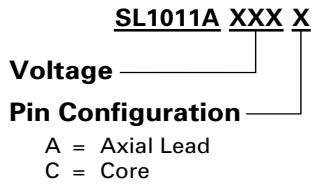
For 'SM' Type Surface Mount Items (SL1411A series only)



For 'C' Type Core Items: Packed in plastic bag (500 pcs)

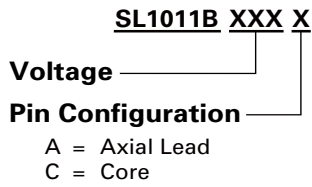
Part Numbering System and Ordering Information

For SL1011A series:



Remarks: Formed leads are available on request

For SL1011B series:



Remarks: Formed leads are available on request

For SL1411A series:

