



# ARS/AR35A SERIES

## 硅整流器 Silicon Rectifier

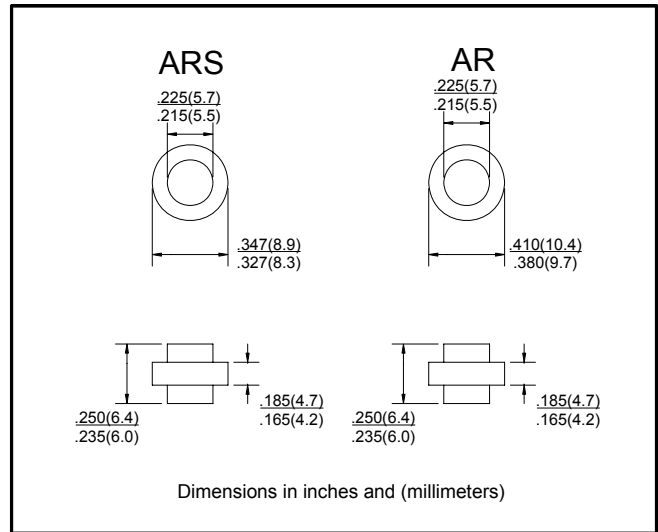
### ■特征 Features

- $I_o$  35A
- $V_{RRM}$  50V~1000V
- 使用环氧胶进行保护  
Plastic material used carries underwriters
- 耐正向浪涌电流能力高  
High surge forward current capability

### ■用途 Applications

- 作一般单相整流用  
General purpose 1 phase rectifier applications

### ■外形尺寸和印记 Outline Dimensions and Mark



### ■极限值（绝对最大额定值）

#### Limiting Values (Absolute Maximum Rating)

| 参数名称<br>Item  | 符号<br>Symbol | 单位<br>Unit           | 条件<br>Conditions   | ARS/AR35A  |     |     |     |     |     |      |
|---|--------------|----------------------|--|------------|-----|-----|-----|-----|-----|------|
|   |              |                      |  | 005        | 01  | 02  | 04  | 06  | 08  | 10   |
| 反向重复峰值电压<br>Repetitive Peak Reverse Voltage         | $V_{RRM}$    | V                    |  | 50         | 100 | 200 | 400 | 600 | 800 | 1000 |
| 平均整流输出电流<br>Average Rectified Output Current        | $I_o$        | A                    | 60Hz 正弦波, 电阻负载, $T_c=150^\circ\text{C}$<br>60Hz sine wave, R-load, $T_c=150^\circ\text{C}$   | 35         |     |     |     |     |     |      |
| 正向（不重复）浪涌电流<br>Surge(Non-repetitive)Forward Current | $I_{FSM}$    | A                    | 60Hz正弦波, 一个周期, $T_a=25^\circ\text{C}$<br>60Hz sine wave, 1 cycle, $T_a=25^\circ\text{C}$   | 500        |     |     |     |     |     |      |
| 正向浪涌电流的平方对电流浪涌持续时间的积分值<br>Current Squared Time      | $I^2t$       | $\text{A}^2\text{s}$ | 1ms $\leq t < 8.3\text{ms}$ $T_j=25^\circ\text{C}$ , 单个二极管<br>1ms $\leq t < 8.3\text{ms}$ $T_j=25^\circ\text{C}$ , Rating of per diode | 1042       |     |     |     |     |     |      |
| 存储温度<br>Storage Temperature                         | $T_{stg}$    | $^\circ\text{C}$     |  | -55 ~ +175 |     |     |     |     |     |      |
| 结温<br>Junction Temperature                          | $T_j$        | $^\circ\text{C}$     |  | -55 ~ +175 |     |     |     |     |     |      |

### ■电特性（ $T_a=25^\circ\text{C}$ 除非另有规定）

#### Electrical Characteristics ( $T_a=25^\circ\text{C}$ Unless otherwise specified)

| 参数名称<br>Item                   | 符号<br>Symbol     | 单位<br>Unit                | 测试条件<br>Test Condition  | 最大值<br>Max              |     |
|--------------------------------|------------------|---------------------------|---|-------------------------|-----|
| 正向峰值电压<br>Peak Forward Voltage | $V_{FM}$         | V                         | $I_{FM}=35\text{A}$ , 脉冲测试, 单个二极管的额定值<br>$I_{FM}=35\text{A}$ , Pulse measurement, Rating of per diode | 1.1                     |     |
| 反向峰值电流<br>Peak Reverse Current | $I_{RRM1}$       | $\mu\text{A}$             | $V_{RM}=V_{RRM}$  | $T_a=25^\circ\text{C}$  | 5   |
|                                | $I_{RRM2}$       |                           |   | $T_a=125^\circ\text{C}$ | 500 |
| 热阻<br>Thermal Resistance       | $R_{\theta J-C}$ | $^\circ\text{C}/\text{W}$ | 结和外壳之间<br>Between junction and case   | 0.7                     |     |



## ■特性曲线（典型） Characteristics(Typical)

图1:  $I_o$ - $T_a$ 曲线  
FIG1: $I_o$ - $T_a$  Curve

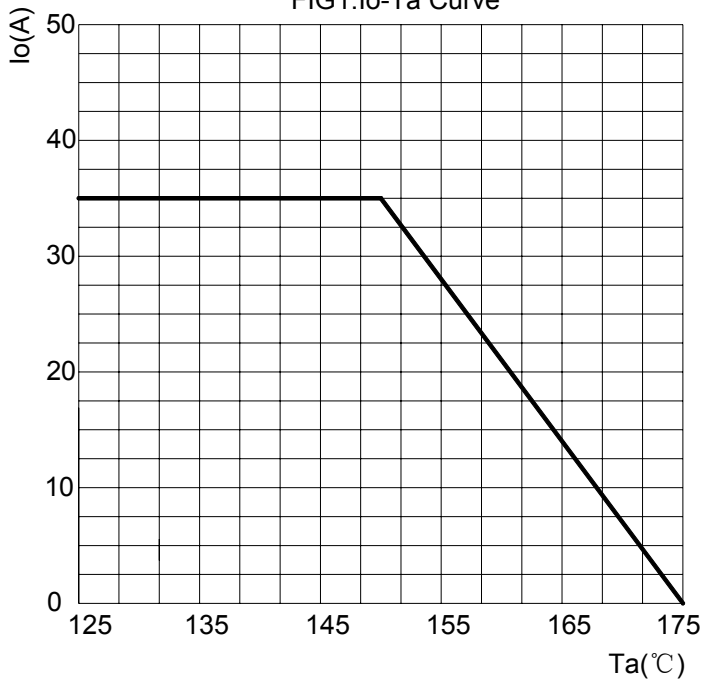


图2: 耐正向浪涌电流曲线  
FIG2: Surge Forward Current Capadility

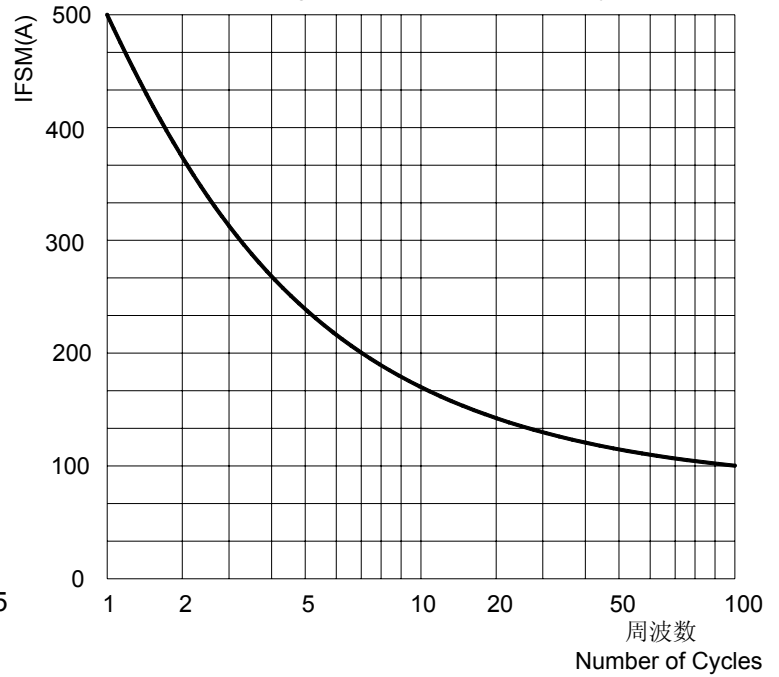


图3: 正向电压曲线  
FIG3: Instantaneous Forward Voltage

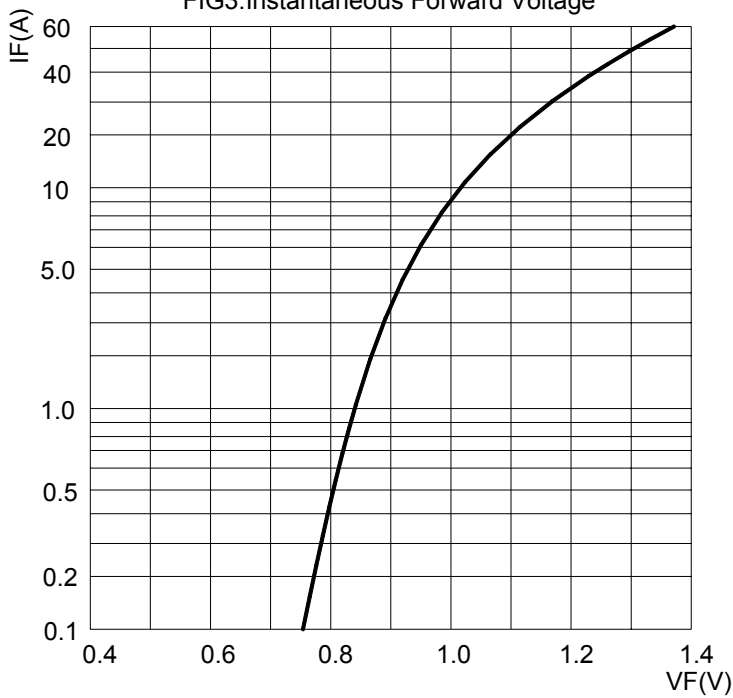


图4: 反向电流曲线  
FIG4: Typical Reverse Characteristics

