

SPECIFICATIONS

Mechanical

Contact Retention Force: 300g min.
Mating Force: 90g max. Per Contact Pair
Unmating Force: 15g min. Per Contact Pair
Durability: 500 Cycles

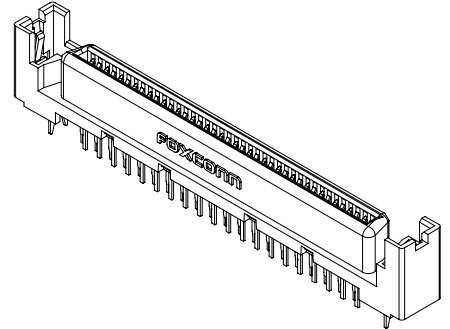
Electrical

Voltage Rating: 30V
Current Rating: 1.0A
Contact Resistance: 30m max.
Dielectric Withstanding Voltage: 500V AC
Insulation Resistance: 1000M

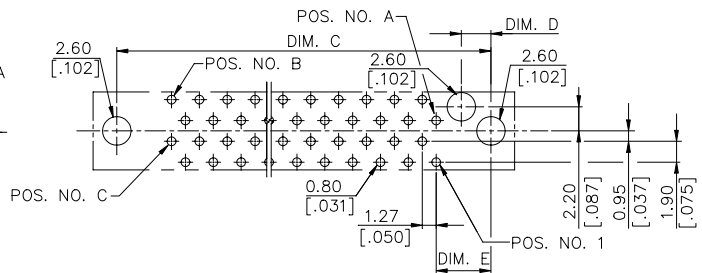
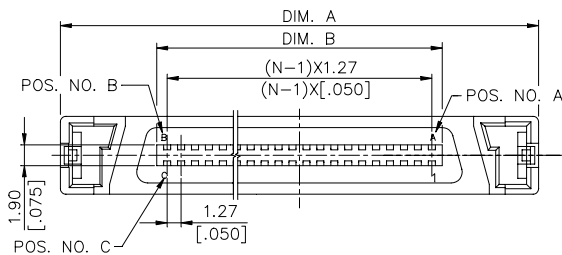
Physical

Housing: Thermoplastic, UL 94V-0 rated in Black Color
Contact: Phosphor Bronze
Plating: See "ORDERING INFORMATION"
Metal Hold Down: Phosphor Bronze
Operating Temperature: -40 to +105

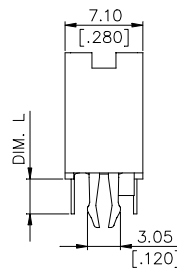
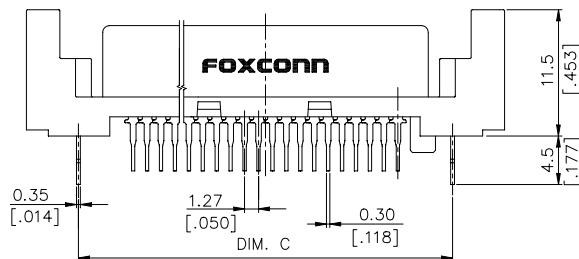
LS25 Series
Vertical, T/H Type
Receptacle
1.27mm [.050"] Pitch



DRAWING



RECOMMENDED P.C.B LAYOUT



ORDERING INFORMATION

PRODUCT NO.: LS 2 5 ** 3 - A 6 4

SCA-2
 Receptacle
 Mounting End Type
 5=T/H, Vertical
 No. of Pos.
 10=20 Pos.
 20=40 Pos.
 40=80 Pos.

Termination Side
 4=4 Rows
 Tail Length
 6: DIM. L=3.40 mm
 A=Standard Height
 Contact Area Plating
 3=30u" Gold

P/N	POS.	A	B	C	DIM. A	DIM. B	DIM. C	DIM. D	DIM. E
LS25403-A64	80	41	80	40	69.00 [2.717]	51.44 [2.025]	59.51 [2.343]	2.70 [.106]	4.99 [.196]
LS25203-A64	40	21	40	20	43.60 [1.717]	26.04 [1.025]	34.11 [1.343]	2.70 [.106]	4.99 [.196]
LS25103-A64	20	11	20	10	29.88 [1.176]	13.34 [0.525]	20.39 [.803]	2.19 [.086]	4.48 [.176]