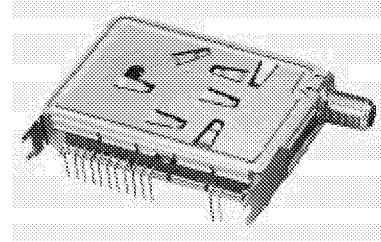


Type : **ET03DR**

Part No.: **ENV□□E□□□□**

Digital Tuner ET03DR is high performance single Conversion tuner for Digital transmission (QAM, QPSK) receivers and equipments. Advanced high frequency design technology and digital technology have been applied to this tuner.



Features

- Compact size, Vertical / Horizontal mounting available
- Low Phase Noise
- Low power consumption
- Built in Diplexer UP / DOWN data filter (U.S.A)
- Built in RF Loop through (Europe)

Recommended Applications

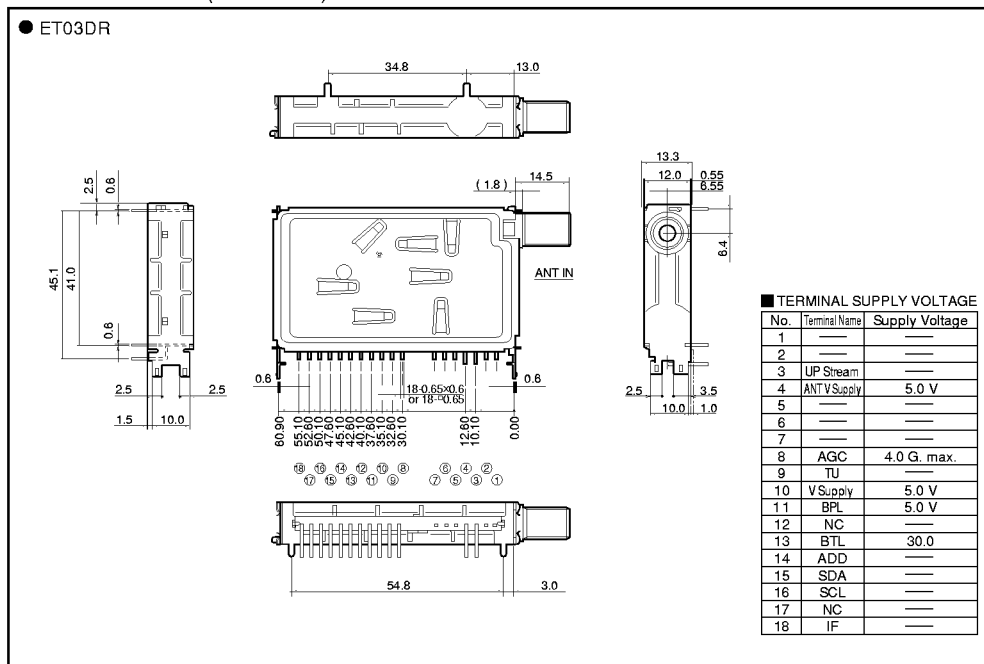
- Cable modem, Digital CATV Set Top Box, PC data receiver

■ Performance Specifications, Summary

	U.S.A. Channel	Europe Channel
1. RF Input Frequency	88 to 860 MHz	47 to 862 MHz
2. RF Input Impedance	75 Ω Unbalanced	75 Ω Unbalanced
3. Output Center Frequency	44 MHz	36.15 MHz
4. IF Output Impedance	75 Ω Unbalanced	75 Ω Unbalanced
5. Noise Figure	10 dB max.	10 dB max.
6. Gain	40 dB typ.	40 dB typ.
7. Image Rejection	45 dB min.	45 dB min.
8. Phase Noise	- 87 dBc / Hz typ. @10 kHz offset	- 87 dBc / Hz typ. @10 kHz offset
9. Supply Voltage	+ 5 V:165 mA typ. 210 mA max. + 30 V: 1 mA typ. 3 mA max.	+ 5 V:165 mA typ. 210 mA max. + 30 V: 1 mA typ. 3 mA max.
10. PLL Interface	3 wire or I ² C	I ² C

■ Dimensions in mm (not to scale)

● ET03DR



■ Block Diagram (U.S.A.)

