

**Samsung Secret****Product Information****Customer :****DATE : Mar. 28. 2011****SAMSUNG TFT-LCD****MODEL : LTA320AP05**

The Information Described in this Specification is Preliminary and can be changed without prior notice

LCD Business**Samsung Electronics Co . , LTD.**

MODEL	LTA320AP05	Doc. No	06-001-G-20110328	Page	1 /26
-------	------------	---------	-------------------	------	-------

Contents**Samsung Secret**

Revision History	-----	(3)
General Description	-----	(4)
General Information	-----	(4)
1. Absolute Maximum Ratings	-----	(5)
2. Optical Characteristics	-----	(6)
3. Electrical Characteristics	-----	(9)
3.1 TFT LCD Module		
3.2 Back Light Unit		
3.3 Inverter Input & Specification		
4. Input Terminal Pin Assignment	-----	(12)
4.1 Input Signal & Power		
4.2 Converter Input Pin Configuration		
4.3 Converter Input Power Sequence		
4.4 LVDS Interface		
4.5 Input Signals, Basic Display Colors and Gray Scale of Each Color		
5. Interface Timing	-----	(17)
5.1 Timing Parameters (DE only mode)		
5.2 Timing Diagrams of interface Signal (DE only mode)		
5.3 Power ON/OFF Sequence		
6. Outline Dimension	-----	(20)
7. Packing	-----	(22)
8. Marking & Others	-----	(23)
9. General Precaution	-----	(24)
9.1 Handling		
9.2 Storage		
9.3 Operation		
9.4 Others		

MODEL

LTA320AP05

Doc. No

06-001-G-20110328

Page

2 /26

**Samsung Secret****Revision History**

Date	Rev. No	Page	Summary
Feb.16. 2011	000	all	First issued

MODEL

LTA320AP05

Doc. No

06-001-G-20110328

Page

3 /26

General Description

Samsung Secret

Description

LTA320AP05 is a color active matrix liquid crystal display (LCD) that uses amorphous silicon TFT (Thin Film Transistor) as switching components. This model is composed of a TFT LCD panel, a driver circuit and a back light unit. The resolution of a 32.0" is 1366 x 768 and this model can display up to 16.7 million colors with wide viewing angle of 89° or higher in all directions. This panel is intended to support applications to provide an excellent performance for Flat Panel Display such as Home-alone Multimedia TFT-LCD TV and High Definition TV

Features

- RoHS compliance (Pb-free)
- High contrast ratio & aperture ratio with wide color gamut
- PVA (Patterned Vertical Align) mode
- Wide viewing angle ($\pm 178^\circ$)
- High speed response
- HD resolution (16:9)
- Low Power consumption
- Direct U-Type 4 CCFLs (Cold Cathode Fluorescent Lamp)
- DE (Data Enable) mode
- LVDS (Low Voltage Differential Signaling) interface (1pixel/clock)

General Information

Items	Specification	Unit	Note
Module Size	760(H) X 450 (V)	mm	± 1.0 mm
	50.5 (D max)		With converter
Weight	5,700 (Max)	g	With converter
Pixel Pitch	0.51075 (H) \times 0.17025 (V)	mm	
Active Display Area	697.6845 (H) X 392.256 (V)	mm	
Surface Treatment	Haze 7, Hard-coating(3H)		
Display Colors	8 bit – 16.7 M	colors	
Number of Pixels	1366 x 768	pixel	
Pixel Arrangement	RGB vertical stripe		
Display Mode	Normally Black		
Luminance of White	450 (Typ.)	cd/m ²	

MODEL

LTA320AP05

Doc. No

06-001-G-20110328

Page

4 /26

Samsung Secret

1. Absolute Maximum Ratings

If the condition exceeds maximum ratings, it can cause malfunction or unrecoverable damage to the device.

Item	Symbol	Min.	Max.	Unit	Note
Power Supply Voltage	V_{DD}	10.8	13.2	V	(1)
Storage temperature	T_{STG}	-20	65	°C	(2)
Operating temperature	T_{OPR}	0	50	°C	
Surface temperature	T_{SUR}	0	65	°C	(3)
Shock (non - operating)	X,Y,Z	-	50	G	(4)
Vibration (non - operating)	V_{NOP}	-	1.5	G	(5)

Note (1) $T_a = 25 \pm 2 \text{ }^\circ\text{C}$

(2) Temperature and relative humidity range are shown in the figure below.

a. 93.8 % RH Max. ($T_a \leq 39 \text{ }^\circ\text{C}$)

b. Relative Humidity is 93.8% or less. ($T_a > 39 \text{ }^\circ\text{C}$)

c. No condensation

(3) Although abnormal visual problems can be occurred in T_{SUR} range, the polarizer is not damaged in this range.

(4) 20ms, sine wave, one time for $\pm X, \pm Y, \pm Z$ axis

(5) 10-300 Hz, Sweep rate 11min, 30min for X,Y,Z axis

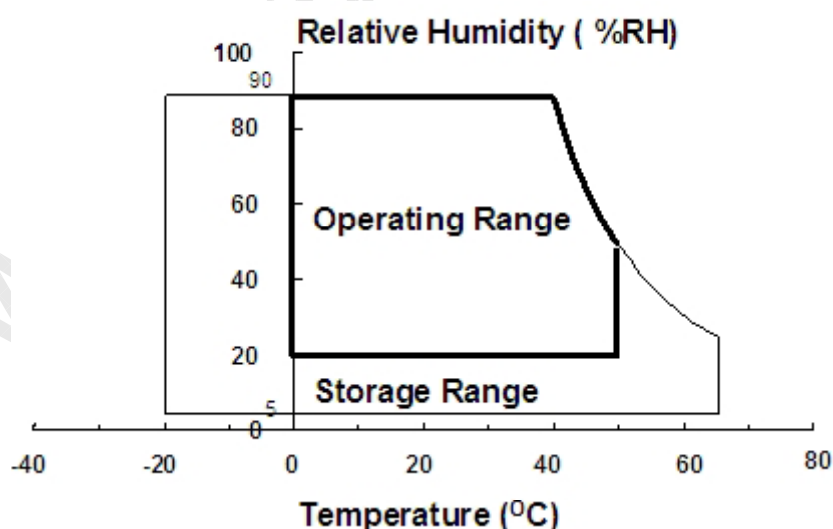


Fig. Temperature and Relative humidity range

MODEL

LTA320AP05

Doc. No

06-001-G-20110328

Page

5 /26

2. Optical Characteristics

Samsung Secret

The optical characteristics should be measured in a dark room or equivalent.

Measuring equipment : TOPCON BM-7, TOPCON SR-3, ELDIM EZ-Contrast

($T_a = 25 \pm 2^\circ\text{C}$, $V_{DD}=12\text{V}$, $f_v=60\text{Hz}$, $f_{DCLK}=75\text{MHz}$, Lamp current =13.5mA)

Item	Symbol	Condition	Min.	Typ.	Max.	Unit	Note	
Contrast Ratio (Center of screen)	C/R		3000	4000	-		(1) SR-3	
Response Time	G-to-G	Tg	-	8	16	msec	(3) BM-7	
Luminance of White (Center of screen)	Y_L		400	450	-	cd/m ²	(4) SR-3	
Color Chromaticity (CIE 1931)	Red	Rx	Normal $q_{L,R}=0$ $q_{U,D}=0$ Viewing Angle	0.637	TYP. -0.03	TYP. +0.03	(5),(6) SR-3	
		Ry		0.326				
	Green	Gx		0.287				
		Gy		0.610				
	Blue	Bx		0.149				
		By		0.058				
	White	Wx		0.280				
		Wy		0.290				
Color Gamut	-		69	72	-	%	(5) SR-3	
Color Temperature	CCT		7,000	10,000	13,000	K		
Viewing Angle	Hor.	q_L	C/R \geq 10	79	89	-	Degree	(6) EZ-Contrast
		q_R		79	89	-		
	Ver.	q_U		79	89	-		
		q_D		79	89	-		
White Brightness Uniformity (9 Points or 13Points)	B_{uni}		-	-	25	%	(2) SR-3	

- Test Equipment Setup

The measurement should be executed in a stable, windless and dark room at least 60min after lighting the back light at the given temperature for stabilization of the back light. This should be measured in the center of screen.

Environment condition : $T_a = 25 \pm 2^\circ\text{C}$

MODEL

LTA320AP05

Doc. No

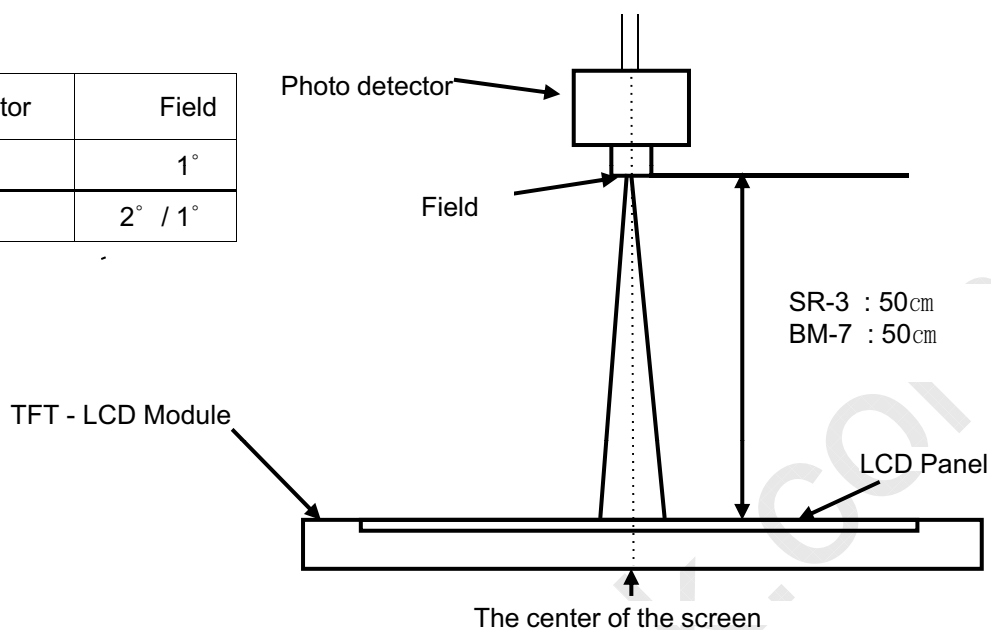
06-001-G-20110328

Page

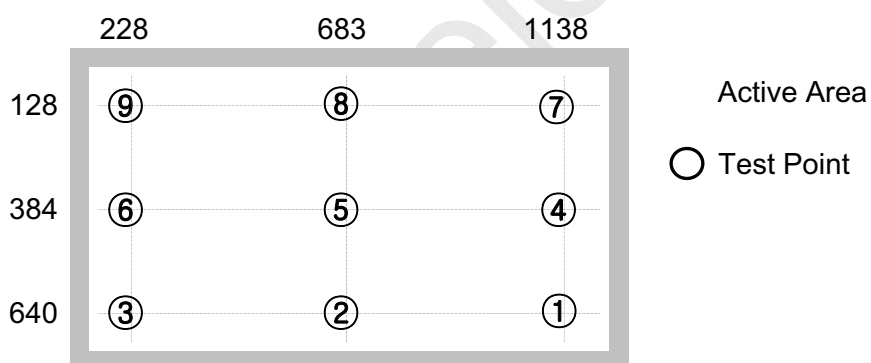
6 /26

Samsung Secret

Photo detector	Field
SR-3	1°
BM-7	2° / 1°



- Definition of test point



Note (1) Definition of Contrast Ratio (C/R)

: Ratio of gray max (Gmax) & gray min (Gmin) at the center point ⑤ of the panel

$$C/R = \frac{G \max}{G \min}$$

Gmax : Luminance with all pixels white

Gmin : Luminance with all pixels black

MODEL	LTA320AP05	Doc. No	06-001-G-20110328	Page	7 /26
-------	------------	---------	-------------------	------	-------

Samsung Secret

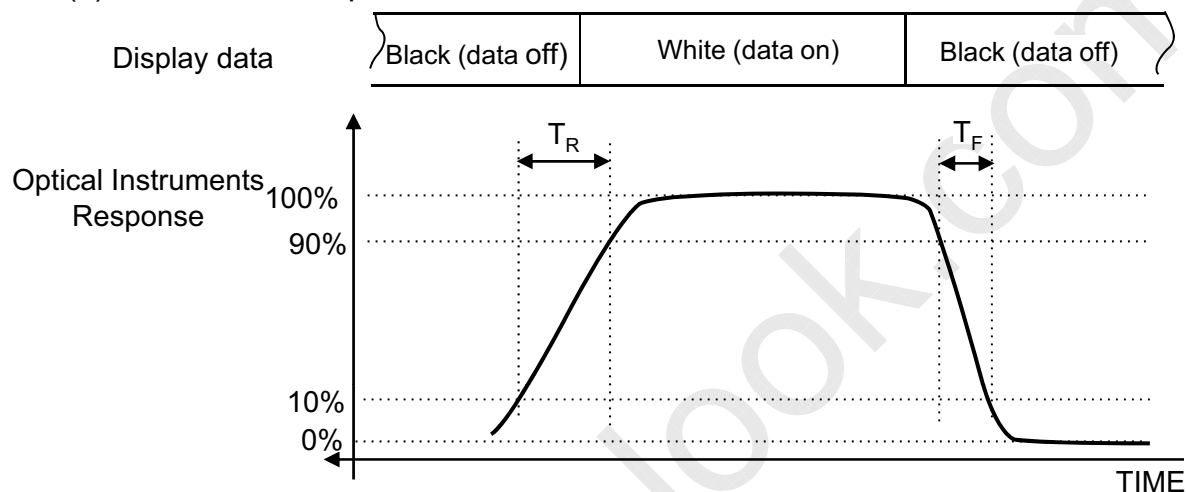
Note (2) Definition of 9 points brightness uniformity (Test pattern : Full White)

$$B_{uni} = 100 * \frac{(B_{max} - B_{min})}{B_{max}}$$

Bmax : Maximum brightness

Bmin : Minimum brightness

Note (3) Definition of Response time : Sum of Tr, Tf



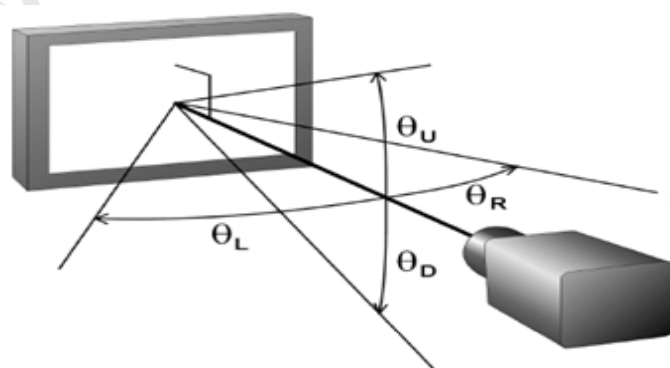
Note (4) Definition of Luminance of White : Luminance of white at center point ⑤

Note (5) Definition of Color Chromaticity (CIE 1931)

Color coordinate of Red, Green, Blue & White at center point ⑤

Note (6) Definition of Viewing Angle

: Viewing angle range (C/R ≥ 10)



MODEL

LTA320AP05

Doc. No

06-001-G-20110328

Page

8 /26

Samsung Secret

3. Electrical Characteristics

3.1 TFT LCD Module

The connector for display data & timing signal should be connected.

$T_a = 25^\circ\text{C} \pm 2^\circ\text{C}$

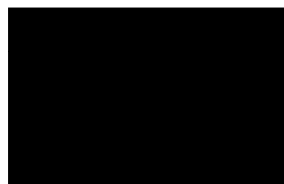
Item	Symbol	Min.	Typ.	Max.	Unit	Note
Voltage of Power Supply	V_{DD}	10.8	12.0	13.2	V	(1)
Current of Power Supply	(a) Black	-	400	500	mA	(2),(3)
	(b) White	-	500	600	mA	
	(c) V-STRIPE	-	600	700	mA	
Vsync Frequency	f_V	50	60	66	Hz	
Hsync Frequency	f_H	44	48	53	kHz	
Main Frequency	f_{DCLK}	72	78	85	MHz	
Rush Current	I_{RUSH}	-	-	4	A	(4)

Note (1) The ripple voltage should be controlled under 10% of V_{DD} .

(2) $f_V=60\text{Hz}$, $f_{DCLK} = 75\text{MHz}$, $V_{DD} = 12.0\text{V}$, DC Current.

(3) Power dissipation check pattern (LCD Module only)

a) Black Pattern



b) White Pattern

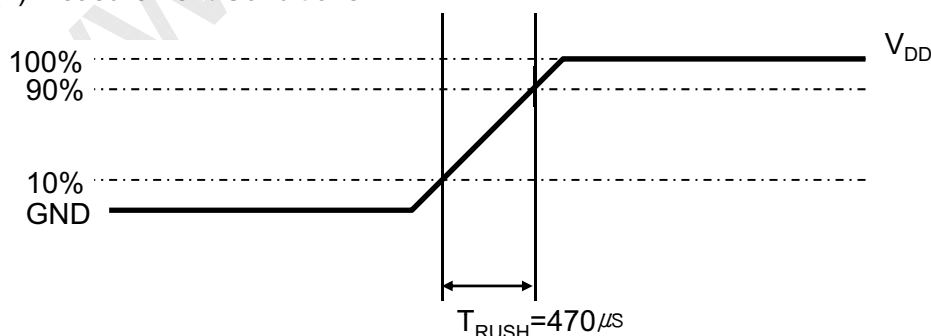


c) V-STRIPE



(4) Measurement Conditions

(4) Measurement Conditions



Rush Current I_{RUSH} can be measured when T_{RUSH} is $470 \mu\text{s}$.

MODEL

LTA320AP05

Doc. No

06-001-G-20110328

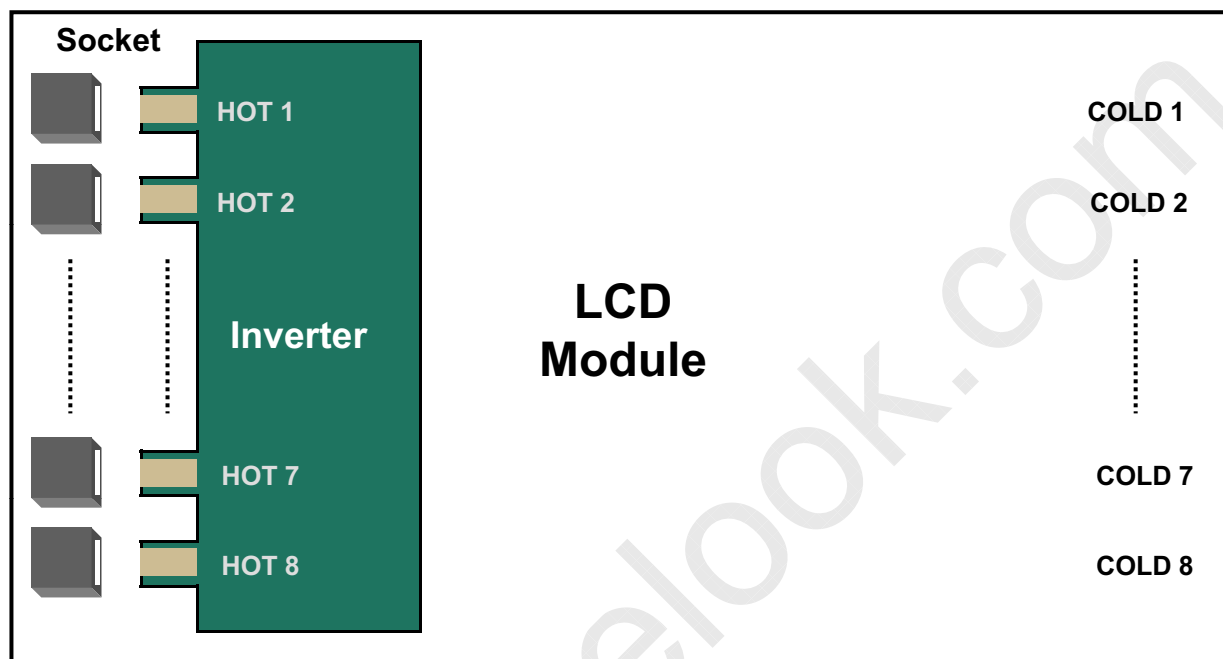
Page

9 /26

Samsung Secret

3.2 Back Light Unit

The back light unit contains 4 direct-lighting U-type CCFLs (Cold Cathode Fluorescent Lamp). The characteristics of lamps are shown in the following tables.

 $T_a = 25 \pm 2^\circ\text{C}$


Item	Symbol	Min.	Typ.	Max.	Unit	Note
Operating Life Time	Hr	50,000	-	-	Hour	(1)

Note (1) It is defined as the time to take until the brightness reduces to 50% of its original value.

[Operating condition : $T_a = 25 \pm 2^\circ\text{C}$, $I_L = 5.0 \text{ mArms (Min)}, 13.5 \text{ mArms (Max)}$

For single lamp only.]

(2) LIPS HOT part

(3) The lamp starting voltage V_s should be applied to the lamp for more than 1second under starting up duration. Otherwise the lamp could not be lighted on completed.

MODEL

LTA320AP05

Doc. No

06-001-G-20110328

Page

10 /26

3.3 Inverter Input Condition & Specification

Samsung Secret

Items	Symbol	Conditions	Specifications			Unit	Note
			Min.	Typ.	Max.		
Input Voltage	V _{in}	-	21.6	24	26.4	V	Ta=25±2 °C (2)
Input Current	I _{RUSH}	V _{in} =24.0V V _{dim} =3.3V	-	-	3.75	A	(1)
Lamp Current	I _{O,MAX}	V _{dim} =3.3 V	12.0	12.5	13.0	mArms	
Backlight On/Off	ON	V _{in} =24.0 V	2.4	-	5.25	V	(2)
	OFF	V _{in} =24.0 V	0	-	0.8		
Dimming Control	V _{DIM}	Max Lum	-	-	3.3	V	(2)
		Min. Lum	0	-	-		
PWM Frequency	F _{PWM}	V _{in} =24.0 V	156	166	176	Hz	
PWM Duty	Duty	V _{in} =24.0 V	20	-	100	%	

Note) Power Consumption is measured when 450[cd/m²] of luminance which is the typical luminance.

Lamp Current is measured at the point before Lamp.

- (1) Max Value of the Power Consumption is measured during initial turn-on time* of the backlight.
- (2) Max Value of the Power Consumption is measured after 120 min warm-up.
- (3) Inverter pin NO.12 is for backlight On/Off.
- (4) Inverter pin NO.13 is for dimming control.

* Initial turn-on time : From 0sec to 60min after turn-on

MODEL

LTA320AP05

Doc. No

06-001-G-20110328

Page

11 /26

4. Input Terminal Pin Assignment

Samsung Secret

4.1. Input Signal & Power

Connector :IS100-L300-C23

PIN No.	Description	PIN No.	Description
1	No Connection (Note1)	16	GND
2	No Connection (Note1)	17	RxIN3-
3	No Connection (Note1)	18	RxIN3+
4	GND	19	GND
5	RxIN0-	20	No Connection (Note1)
6	RxIN0+	21	LVDS OPTION (Note 2)
7	GND	22	No Connection (Note1)
8	RxIN1-	23	GND
9	RxIN1+	24	GND
10	GND	25	GND
11	RxIN2-	26	Vin
12	RxIN2+	27	Vin
13	GND	28	Vin
14	RxCLK-	29	Vin
15	RxCLK+	30	Vin

Note1) No Connection: **This PINS are only used ONLY for SAMSUNG.**

Note2) LVDS OPTION : If this PIN is HIGH (3.3 V) → Normal LVDS format
 LOW (GND) → JEIDA LVDS format

**SEQUENCE : On = V_{DD}(T1) ≥ LVDS Option ≥ Interface Signal(T2)
 OFF = Interface Signal(T3) ≥ LVDS Option ≥ V_{DD}**

MODEL

LTA320AP05

Doc. No

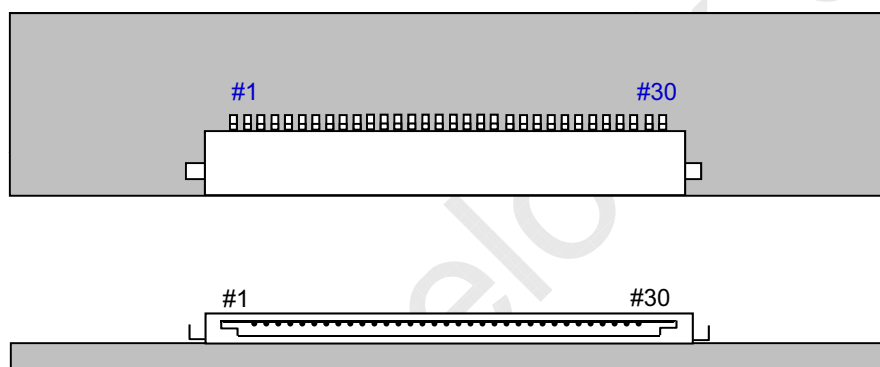
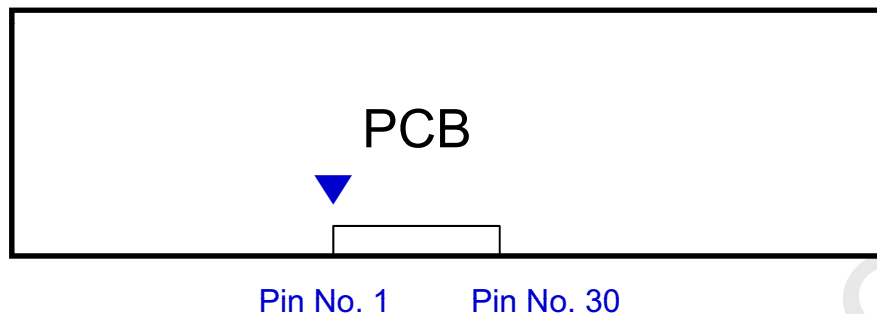
06-001-G-20110328

Page

12 /26

Samsung Secret

Note(1) Pin number starts from Left side

**Fig. Connector diagram**

- Power GND pins should be connected to the LCD's metal chassis.
- All power input pins should be connected together.
- All NC pin should be separated from other signal or power.

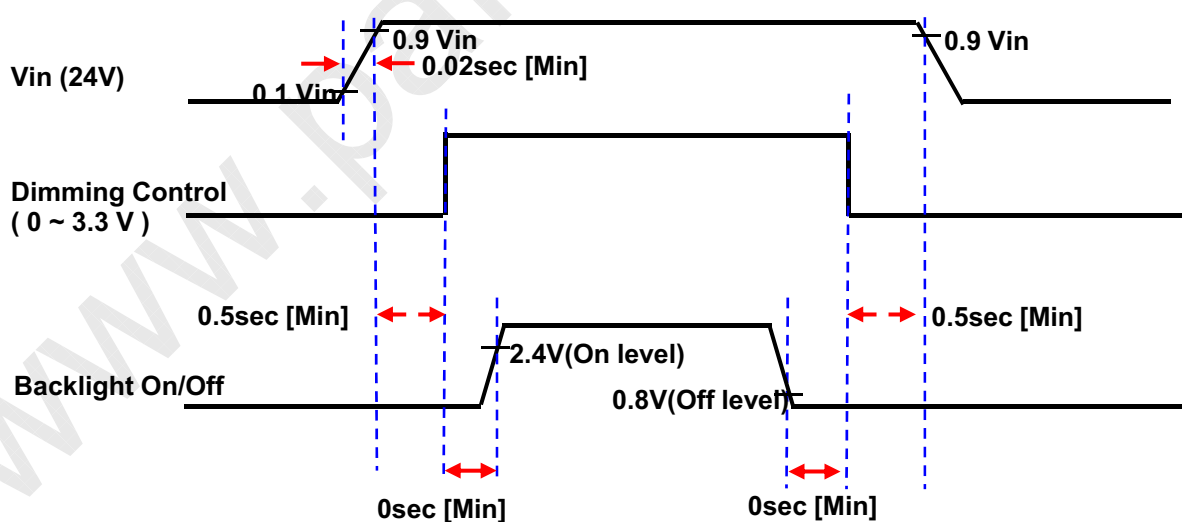
4.2. Inverter Input Pin Configuration

Samsung Secret

Connector : Yeon-ho, 20022WR-14B1

Pin No.	Pin Configuration (FUNCTION)
1	Vin (24 V)
2	Vin (24 V)
3	Vin (24 V)
4	Vin (24 V)
5	Vin (24 V)
6	GND
7	GND
8	GND
9	GND
10	GND
11	Error_out (normal : GND, abnormal : open collector)
12	Backlight On /Off [ON: 2.4 ~ 5.5 V, OFF: 0 ~ 0.8 V]
13	Dimming Control [0V: Min, 3.3V: Max]
14	No Connection (DO NOT CONNECT)

4.3. Inverter Input Power Sequence



MODEL

LTA320AP05

Doc. No

06-001-G-20110328

Page

14 /26

4.4 LVDS Interface

Samsung Secret

- LVDS Receiver : Tcon (merged)

- Data Format (JEIDA & VESA)

	LVDS pin	JEIDA -DATA	VESA -DATA
TxOUT/RxIN0	TxIN/RxOUT0	R2	R0
	TxIN/RxOUT1	R3	R1
	TxIN/RxOUT2	R4	R2
	TxIN/RxOUT3	R5	R3
	TxIN/RxOUT4	R6	R4
	TxIN/RxOUT6	R7	R5
	TxIN/RxOUT7	G2	G0
TxOUT/RxIN1	TxIN/RxOUT8	G3	G1
	TxIN/RxOUT9	G4	G2
	TxIN/RxOUT12	G5	G3
	TxIN/RxOUT13	G6	G4
	TxIN/RxOUT14	G7	G5
	TxIN/RxOUT15	B2	B0
	TxIN/RxOUT18	B3	B1
TxOUT/RxIN2	TxIN/RxOUT19	B4	B2
	TxIN/RxOUT20	B5	B3
	TxIN/RxOUT21	B6	B4
	TxIN/RxOUT22	B7	B5
	TxIN/RxOUT24	HSYNC	HSYNC
	TxIN/RxOUT25	VSYNC	VSYNC
	TxIN/RxOUT26	DEN	DEN
TxOUT/RxIN3	TxIN/RxOUT27	R0	R6
	TxIN/RxOUT5	R1	R7
	TxIN/RxOUT10	G0	G6
	TxIN/RxOUT11	G1	G7
	TxIN/RxOUT16	B0	B6
	TxIN/RxOUT17	B1	B7
	TxIN/RxOUT23	RESERVED	RESERVED

MODEL

LTA320AP05

Doc. No

06-001-G-20110328

Page

15 /26

Samsung Secret

4.5 Input Signals, Basic Display Colors and Gray Scale of Each Color

COLOR	DISPLAY (8bit)	DATA SIGNAL																												GRAY SCALE LEVEL
		RED							GREEN							BLUE														
		R0	R1	R2	R3	R4	R5	R6	R7	G0	G1	G2	G3	G4	G5	G6	G7	B0	B1	B2	B3	B4	B5	B6	B7					
BASIC COLOR	BLACK	0	0	0	0	0	0	0	0	0	0	0	0	0	0	0	0	0	0	0	0	0	0	0	0	0	0	0	-	
	BLUE	0	0	0	0	0	0	0	0	0	0	0	0	0	0	0	0	1	1	1	1	1	1	1	1	1	1	1	-	
	GREEN	0	0	0	0	0	0	0	0	1	1	1	1	1	1	1	1	0	0	0	0	0	0	0	0	0	0	0	-	
	CYAN	0	0	0	0	0	0	0	0	1	1	1	1	1	1	1	1	1	1	1	1	1	1	1	1	1	1	1	-	
	RED	1	1	1	1	1	1	1	1	0	0	0	0	0	0	0	0	0	0	0	0	0	0	0	0	0	0	0	-	
	MAGENTA	1	1	1	1	1	1	1	1	0	0	0	0	0	0	0	0	1	1	1	1	1	1	1	1	1	1	1	-	
	YELLOW	1	1	1	1	1	1	1	1	1	1	1	1	1	1	1	1	0	0	0	0	0	0	0	0	0	0	0	-	
	WHITE	1	1	1	1	1	1	1	1	1	1	1	1	1	1	1	1	1	1	1	1	1	1	1	1	1	1	1	-	
GRAY SCALE OF RED	BLACK	0	0	0	0	0	0	0	0	0	0	0	0	0	0	0	0	0	0	0	0	0	0	0	0	0	0	R0		
	DARK ↑	1	0	0	0	0	0	0	0	0	0	0	0	0	0	0	0	0	0	0	0	0	0	0	0	0	0	R1		
		0	1	0	0	0	0	0	0	0	0	0	0	0	0	0	0	0	0	0	0	0	0	0	0	0	0	R2		
		:	:	:	:	:	:	:	:	:	:	:	:	:	:	:	:	:	:	:	:	:	:	:	:	:	:	R3~R252		
		:	:	:	:	:	:	:	:	:	:	:	:	:	:	:	:	:	:	:	:	:	:	:	:	:	:	R3~R252		
	LIGHT ↓	1	0	1	1	1	1	1	1	0	0	0	0	0	0	0	0	0	0	0	0	0	0	0	0	0	0	R253		
		0	1	1	1	1	1	1	1	0	0	0	0	0	0	0	0	0	0	0	0	0	0	0	0	0	0	R254		
	RED	1	1	1	1	1	1	1	1	0	0	0	0	0	0	0	0	0	0	0	0	0	0	0	0	0	0	R255		
GRAY SCALE OF GREEN	BLACK	0	0	0	0	0	0	0	0	0	0	0	0	0	0	0	0	0	0	0	0	0	0	0	0	0	0	G0		
	DARK ↑	0	0	0	0	0	0	0	0	1	0	0	0	0	0	0	0	0	0	0	0	0	0	0	0	0	0	G1		
		0	0	0	0	0	0	0	0	0	1	0	0	0	0	0	0	0	0	0	0	0	0	0	0	0	0	G2		
		:	:	:	:	:	:	:	:	:	:	:	:	:	:	:	:	:	:	:	:	:	:	:	:	:	:	G3~G252		
		:	:	:	:	:	:	:	:	:	:	:	:	:	:	:	:	:	:	:	:	:	:	:	:	:	:	G3~G252		
	LIGHT ↓	0	0	0	0	0	0	0	0	1	0	1	1	1	1	1	1	0	0	0	0	0	0	0	0	0	0	G253		
		0	0	0	0	0	0	0	0	0	1	1	1	1	1	1	1	0	0	0	0	0	0	0	0	0	0	G254		
	GREEN	0	0	0	0	0	0	0	0	1	1	1	1	1	1	1	1	0	0	0	0	0	0	0	0	0	0	G255		
GRAY SCALE OF BLUE	BLACK	0	0	0	0	0	0	0	0	0	0	0	0	0	0	0	0	0	0	0	0	0	0	0	0	0	0	B0		
	DARK ↑	0	0	0	0	0	0	0	0	0	0	0	0	0	0	0	0	1	0	0	0	0	0	0	0	0	0	B1		
		0	0	0	0	0	0	0	0	0	0	0	0	0	0	0	0	0	1	0	0	0	0	0	0	0	0	B2		
		:	:	:	:	:	:	:	:	:	:	:	:	:	:	:	:	:	:	:	:	:	:	:	:	:	:	B3~B252		
		:	:	:	:	:	:	:	:	:	:	:	:	:	:	:	:	:	:	:	:	:	:	:	:	:	:	B3~B252		
	LIGHT ↓	0	0	0	0	0	0	0	0	0	0	0	0	0	0	0	0	1	0	1	1	1	1	1	1	1	1	B253		
		0	0	0	0	0	0	0	0	0	0	0	0	0	0	0	0	0	1	1	1	1	1	1	1	1	1	B254		
	BLUE	0	0	0	0	0	0	0	0	0	0	0	0	0	0	0	0	1	1	1	1	1	1	1	1	1	1	B255		

Note) Definition of Gray :

Rn : Red Gray, Gn : Green Gray, Bn : Blue Gray (n = Gray level)

Input Signal : 0 = Low level voltage, 1 = High level voltage

MODEL	LTA320AP05	Doc. No	06-001-G-20110328	Page	16 /26
-------	------------	---------	-------------------	------	--------

5. Interface Timing

Samsung Secret

5.1 Timing Parameters (DE mode)

SIGNAL	ITEM	SYMBOL	MIN.	TYP.	MAX.	Unit	NOTE
Clock	Frequency	$1/T_C$	72	78	85	MHz	-
Hsync		F_H	44	48	53	KHz	-
Vsync		F_V	48	60	66	Hz	-
Vertical Display Term	Active Display Period	T_{VD}	-	768	-	Lines	-
	Vertical Total	T_V	780	802	1200	Lines	-
Horizontal Display Term	Active Display Period	T_{HD}	-	1366	-	Clocks	-
	Horizontal Total	T_H	1460	1624	2000	clocks	-

Note) This product is DE only mode. The input of Hsync & Vsync signal does not have an effect on normal operation.

- (1) Test Point : TTL control signal and CLK at LVDS Tx input terminal in system
- (2) Internal $V_{DD} = 3.3V$

5.2 LVDS Input Data Characteristics

ITEM		SYMBOL	Min.	Typ.	Max.	Unit	Note
Input Data Position	Fin=85MHz	t_{RSRM}	-	-	800	ps	
		t_{RSLM}	-	-	-	ps	
Input common mode voltage		V_{CM}	0.3	-	2.7	V	
Differential Input Voltage		$ V_{ID} $	100	-	200	mV	

MODEL

LTA320AP05

Doc. No

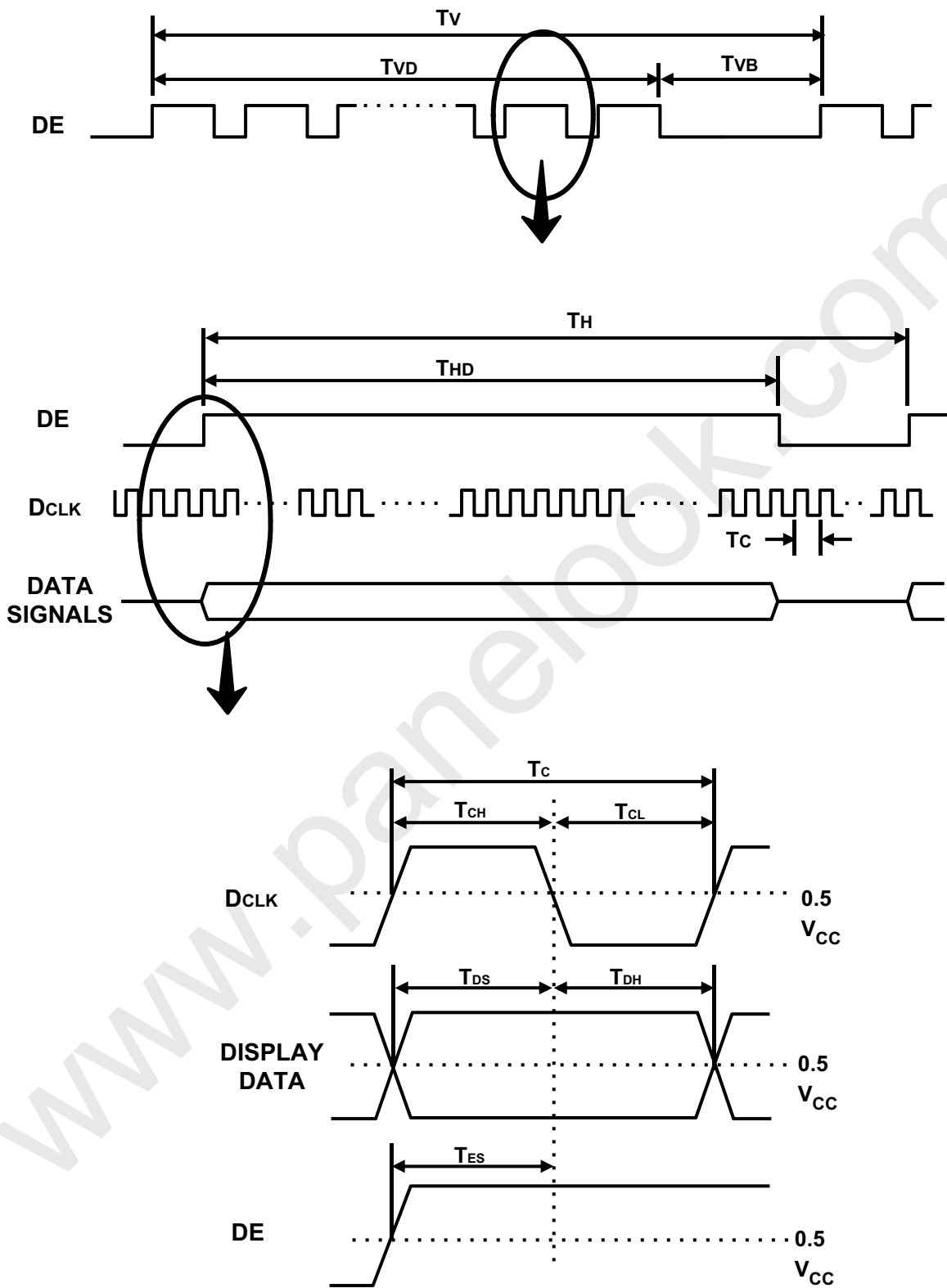
06-001-G-20110328

Page

17 /26

5.2 Timing diagrams of interface signal (DE mode)

Samsung Secret

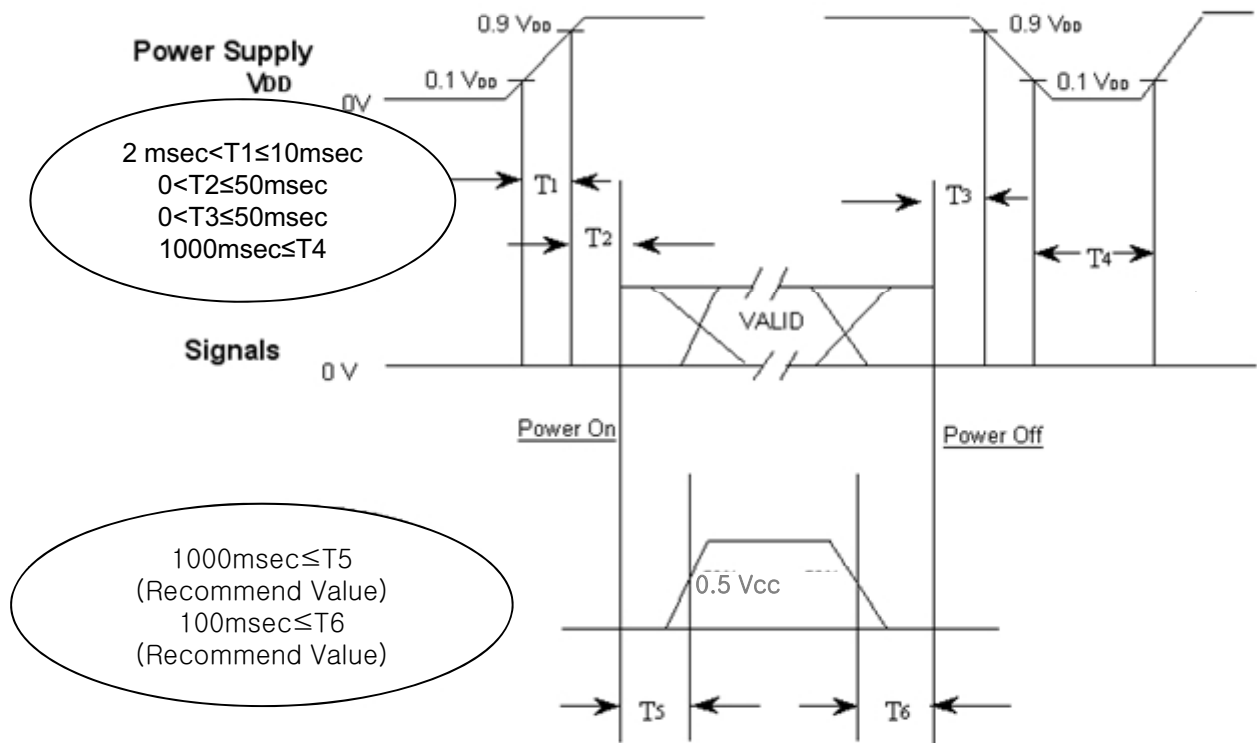


MODEL	LTA320AP05	Doc. No	06-001-G-20110328	Page	18 /26
-------	------------	---------	-------------------	------	--------

5.3 Power ON/OFF Sequence

Samsung Secret

To prevent a latch-up or DC operation of the LCD Module, the power on/off sequence should be as the diagram below.



T_1 : V_{DD} rising time from 10% to 90%

T_2 : The time from V_{DD} to valid data at power ON.

T_3 : The time from valid data off to V_{DD} off at power Off.

T_4 : V_{DD} off time for Windows restart

T_5 : The time from valid data to B/L enable at power ON.

T_6 : The time from valid data off to B/L disable at power Off.

- The supply voltage of the external system for the Module input should be the same as the definition of V_{DD} .
- Apply the lamp voltage within the LCD operation range. When the back light turns on before the LCD operation or the LCD turns off before the back light turns off, the display may momentarily show abnormal screen.
- In case of V_{DD} = off level, please keep the level of input signals low or keep a high impedance.
- T_4 should be measured after the Module has been fully discharged between power off and on period.
- Interface signal should not be kept at high impedance when the power is on.
- In Case T_5 is less than 1000msec and T_6 is less than 100msec, Garbage Display can be seen. (It is not related to electrical function issue, Just for recommendation to prevent Garbage Display)



Samsung Secret

6. Outline Dimension

www.panelook.com

MODEL	LTA320AP05	Doc. No	06-001-G-20110328	Page	20 /26
-------	------------	---------	-------------------	------	--------



Samsung Secret

www.panelook.com

MODEL	LTA320AP05	Doc. No	06-001-G-20110328	Page	21 /26
-------	------------	---------	-------------------	------	--------

Samsung Secret

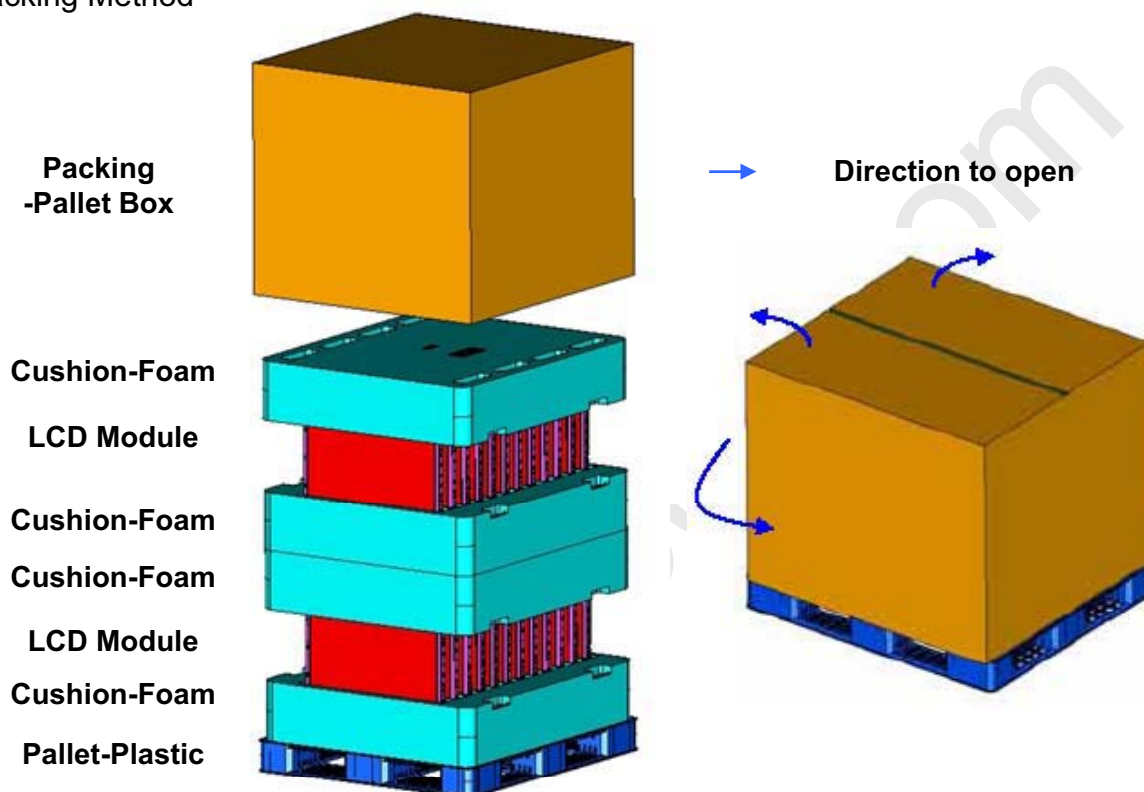
7. PACKING

7.1 CARTON (Internal Package)

(1) Packing Form

Corrugated fiberboard box and corrugated cardboard as shock absorber

(2) Packing Method



7.2 Packing Specification

ITEM	Specification	Remark
LCD Packing	30ea / Box (Packing-Pallet Box)	1. 6.0kg/LCD(30ea) 2. 15kg/Packing-Pallet Box(2ea) 3. Box Material : Paper 6. Packing Pallet Box Material : DW4
Pallet	2 Box/Pallet	1. Pallet Weight : 6kg 2. 204kg/Pallet , Total : 216kg
Packing Direction	Vertical	1150 x 850 x 1105
Pallet Size	H x V x Height	1150mm(H) x 850mm(V) x 125mm(Height)

MODEL

LTA320AP05

Doc. No

06-001-G-20110328

Page

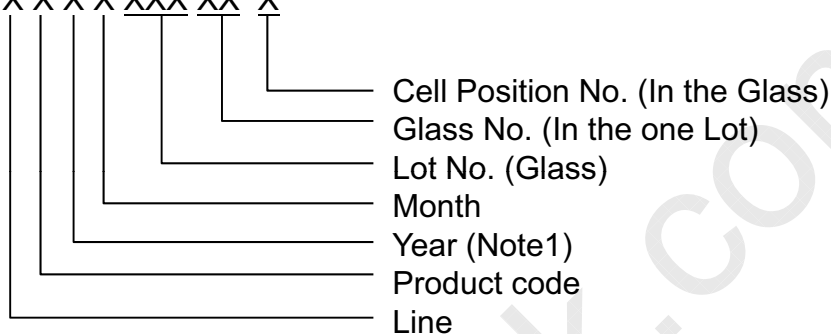
22 /26

Samsung Secret

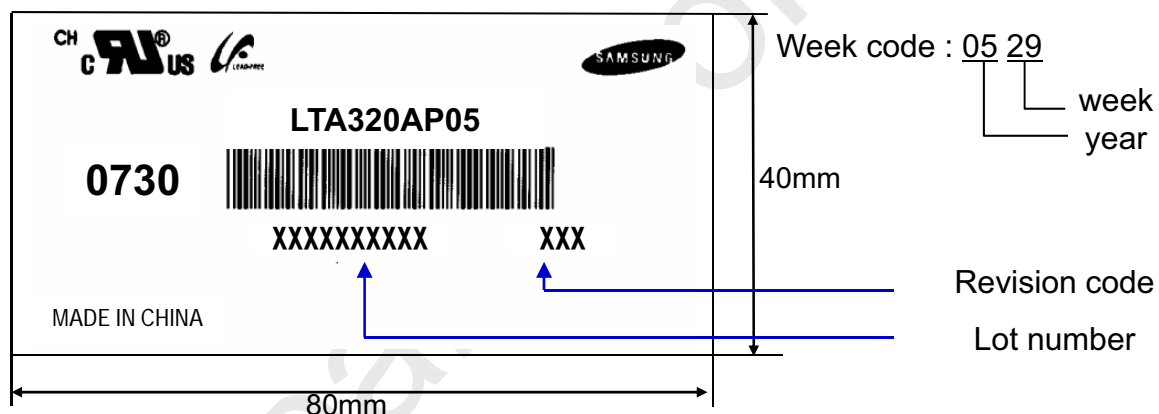
8. MARKING & OTHERS

A nameplate bearing followed by is affixed to a shipped product at the specified location on each product.

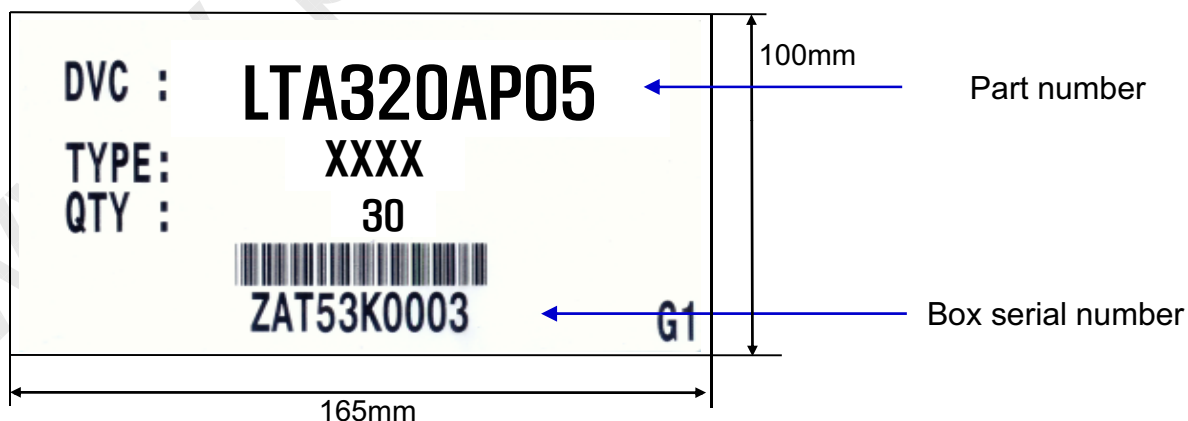
- (1) Parts number : LTA320AP05
- (2) Revision: Three letters
- (3) Lot number : X X X X XXX XX X



(4) Nameplate Indication



(5) Packing box attach



(6) Others

- 1. After service part
 Lamps cannot be replaced because of the narrow bezel structure.

MODEL	LTA320AP05	Doc. No	06-001-G-20110328	Page	23 /26
-------	------------	---------	-------------------	------	--------

9. General Precautions

Samsung Secret

9.1 Handling

- (a) When the module is assembled, It should be attached to the system firmly using every mounting holes. Be careful not to twist and bend the modules.
- (b) Refrain from strong mechanical shock and / or any force to the module. In addition to damage, this may cause improper operation or damage to the module and CCFL back-light.
- (c) Note that polarizers are very fragile and could be easily damaged. Do not press or scratch the surface harder than a HB pencil lead.
- (d) Wipe off water droplets or oil immediately. If you leave the droplets for a long time, Staining and discoloration may occur.
- (e) If the surface of the polarizer is dirty, clean it using some absorbent cotton or soft cloth.
- (f) The desirable cleaners are water, IPA(Isopropyl Alcohol) or Hexane. Do not use Ketone type materials(ex. Acetone), Ethyl alcohol, Toluene, Ethyl acid or Methyl chloride. It might permanent damage to the polarizer due to chemical reaction.
- (g) If the liquid crystal material leaks from the panel, it should be kept away from the eyes or mouth . In case of contact with hands, legs or clothes, it must be washed away thoroughly with soap.
- (h) Protect the module from static , it may cause damage to the CMOS Gate Array IC.
- (i) Use finger-stalls with soft gloves in order to keep display clean during the incoming inspection and assembly process.
- (j) Do not disassemble the module.
- (k) Do not pull or fold the lamp wire.
- (l) Do not adjust the variable resistor which is located on the module.
- (m) Protection film for polarizer on the module shall be slowly peeled off just before use so that the electrostatic charge can be minimized.
- (n) Pins of I/F connector shall not be touched directly with bare hands.

MODEL

LTA320AP05

Doc. No

06-001-G-20110328

Page

24 /26

Samsung Secret

9.2 Storage

- (a) Do not leave the module in high temperature, and high humidity for a long time. It is highly recommended to store the module with temperature from 5 to 40 °C and relative humidity of less than 70%.
- (b) Do not store the TFT-LCD module in direct sunlight.
- (c) The module shall be stored in a dark place. It is prohibited to apply sunlight or fluorescent light during the store.
- (d) Storage condition of Packing

ITEM	UNIT	Min.	Max.
Storage Temperature	(°C)	5	40
Storage Humidity	(%rH)	35	75
Storage Life	12 months		
Storage Condition	-Prohibit direct sunlight -Ventilation in storehouse and control changing temperature is within limits of environment -Put it on pallet and store them with removing from wall. -Don't wet Out-BOX and avoid rain. -Without condensation. -Etc. Avoid harmful Condition		
Long-term Storage Process	-More than 3 months Storage or Low temp. Delivery/under 5°C storage →On the 20°C, 50%rH Condition, more than 10hr release.		

9.3 Operation

- (a) Do not connect or disconnect the Module in the "Power On" condition.
- (b) Power supply should always be turned on/off by the "Power on/off sequence"
- (c) Module has high frequency circuits. Sufficient suppression to the electromagnetic interference should be done by system manufacturers. Grounding and shielding methods may be important to minimize the interference.
- (d) The cable between the back light connector and its inverter power supply should be connected directly with a minimized length. A longer cable between the back light and the inverter may cause lower luminance of lamp(CCFT) and may require higher startup voltage(Vs).

MODEL

LTA320AP05

Doc. No

06-001-G-20110328

Page

25 /26

9.4 Operation Condition Guide

Samsung Secret

(a) The LCD product should be operated under normal conditions.

Normal condition is defined as below;

- Temperature : $20 \pm 15^{\circ}\text{C}$
- Humidity : $55 \pm 20\%$
- Display pattern : continually changing pattern (Not stationary)

(b) If the product will be used in extreme conditions such as high temperature, humidity, display patterns or operation time etc., It is strongly recommended to contact SEC for Application engineering advice. Otherwise, its reliability and function may not be guaranteed. Extreme conditions are commonly found at Airports, Transit Stations, Banks, Stock market, and Controlling systems.

9.5 Others

- (a) Ultra-violet ray filter is necessary for outdoor operation.
- (b) Avoid condensation of water. It may result in improper operation or disconnection of electrode.
- (c) Do not exceed the absolute maximum rating value. (supply voltage variation, input voltage variation, variation in part contents and environmental temperature, and so on)
Otherwise the Module may be damaged.
- (d) If the Module keeps displaying the same pattern for a long period of time, the image may be "sticked" to the screen.
To avoid image sticking, it is recommended to use a screen saver.
- (e) This Module has its circuitry PCB's on the rear side and should be handled carefully in order not to be stressed.
- (f) Please contact SEC in advance when you display the same pattern for a long time.

MODEL

LTA320AP05

Doc. No

06-001-G-20110328

Page

26 /26