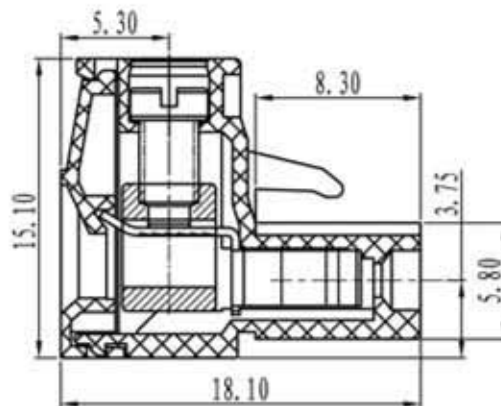
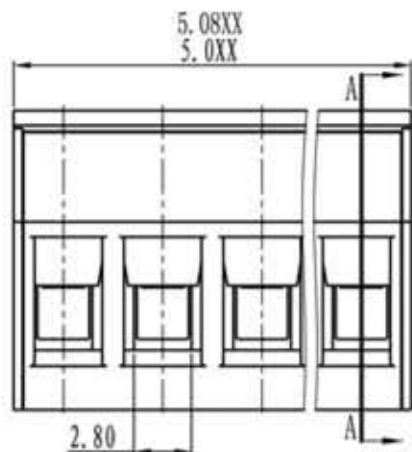
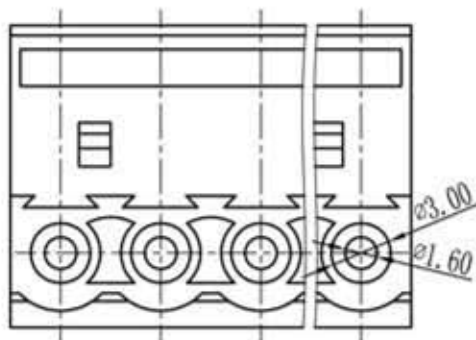


euro-block

product specification



SECTION A-A



Versione/Version Data/Date

2013-1

04/04/2013

TOLERANCES EXCEPT AS NOTED

	linear dimension					fillet	chamfer	short angle sid			≡	—	□	//	⊥		
	variable range	to	over	over	over			to	to	to						to	to
	to 6	6 to 30	30 to 120	120 to 480	480 to	all	to 6	to 10	to 10	to 50	to 120	to 120	all	to 5	to 30	to 120	to 120
tolerance	±0.1	±0.2	±0.3	±0.5	±0.9	±0.2	±0.5	±1	1'	30'	20'	10'	0.5	0.025	0.06	0.12	0.4

Electrical		
Standard	UL	IEC
Rated voltage	300V	320V
Rated current	15A	20A
Contact resistance	20mΩ	
Insulation resistance	500MΩ/DC500V	
Withstanding voltage	AC2000V/1 Min	
Wire range	28-14 AWG 2.5sqmm	

Mechanical	
Torque	0,5Nm (4,5Lbin)
Temp. Range	-40°C + 105°C
Stripping length:	7-8 mm

Dimensions	
Pitch	5 - 5.08 mm
Poles	2+24

Material	
Housing	PA66, UL94V0
Clamp	Phosphore Bronze, Nikel plated
Wire guard	Brass Nikel plated
Screws	M3 Steel Zinc plated

Schema generale del codice di ordinazione/General description of ordering code

Series	n. poles	pitch	version	color	custom
CRF	2+24	5 - 5.08			

UNITS	mm	SIZE	A4	SCALE	FIRST ANGLE PROJECTION
euro-block					CRF-5/5.08