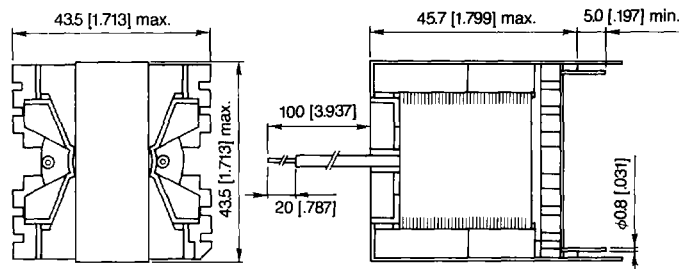
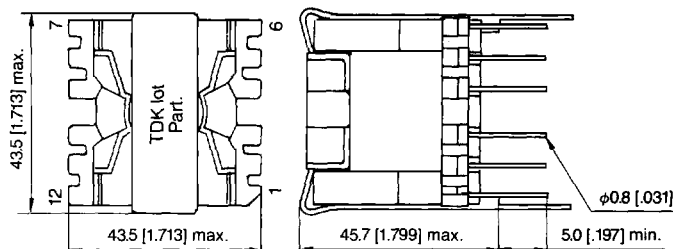


PQ40/40 CORE TYPE SHAPES AND DIMENSIONS

Lead form A

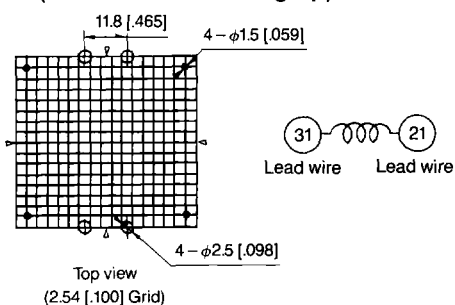


B

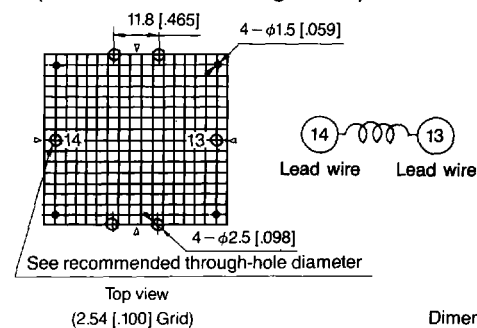


PIN CONFIGURATION

A (Lead terminal facing up)



B (Lead terminal facing down)



Dimensions in mm [inches]

Part No.	Inductance (μH) ± 20%	Rated current (A)	Unsaturated current (A) max.	DC resistance (mΩ) max.	Lead wire dia. (mm) [inches] typ.	Recommended through-hole diameter (mm) [inches]
PQ40/40-150A43RA	15	30	43	2.9	1.7 [.069] × 4	5.0 [.197]
PQ40/40-220A36RA	22	27	36	3.6	1.5 [.059] × 5	5.0 [.197]
PQ40/40-270A33RA	27	24	33	4.5	1.3 [.051] × 5	4.5 [.177]
PQ40/40-330A27RA	33	20	27	6.5	1.2 [.047] × 5	4.0 [.157]
PQ40/40-390A27RA	39	18	27	8.0	1.1 [.043] × 5	4.0 [.157]
PQ40/40-470A24RA	47	16	24	10.0	1.0 [.039] × 5	3.5 [.138]
PQ40/40-560A22RA	56	15	22	11.4	0.9 [.035] × 6	3.5 [.138]
PQ40/40-680B20RA	68	13	20	15.2	2.0 [.079]	2.5 [.098]
PQ40/40-820B18RA	82	13	18	15.2	2.0 [.079]	2.5 [.098]
PQ40/40-101B16RA	100	12	16	17.8	2.0 [.079]	2.5 [.098]
PQ40/40-121B15RA	120	11	15	21.2	2.0 [.079]	2.5 [.098]
PQ40/40-151B14RA	150	11	14	21.2	2.0 [.079]	2.5 [.098]
PQ40/40-181B12RA	180	10	12	25.7	2.0 [.079]	2.5 [.098]
PQ40/40-221B11RA	220	8.2	11	38.2	1.7 [.067]	2.0 [.079]
PQ40/40-271B10RA	270	7.9	10	45.7	1.6 [.063]	2.0 [.079]
PQ40/40-331B9R1A	330	7.2	9.1	49.6	1.6 [.063]	2.0 [.079]
PQ40/40-391B8R7A	390	6.8	8.7	55.6	1.6 [.063]	2.0 [.079]
PQ40/40-471B7R9A	470	6.2	7.9	66.9	1.5 [.059]	2.0 [.079]
PQ40/40-561B7R2A	560	5.6	7.2	82.0	1.4 [.055]	2.0 [.079]
PQ40/40-681B6R5A	680	5.1	6.5	107	1.3 [.051]	2.0 [.079]
PQ40/40-821B5R9A	820	4.7	5.9	116	1.3 [.051]	2.0 [.079]
PQ40/40-102B5R4A	1000	4.1	5.4	153	1.3 [.047]	1.5 [.059]
PQ40/40-122B4R9A	1200	3.6	4.9	198	1.1 [.043]	1.5 [.059]
PQ40/40-152B4R3A	1500	3.3	4.3	236	1.1 [.043]	1.5 [.059]
PQ40/40-182B3R9A	1800	3.0	3.9	286	1.1 [.043]	1.5 [.059]
PQ40/40-222B3R6A	2200	2.7	3.6	353	1.0 [.039]	1.5 [.059]
PQ40/40-272B3R3A	2700	2.4	3.3	446	0.9 [.035]	1.2 [.047]
PQ40/40-332B2R7A	3300	2.0	2.7	643	0.85 [.033]	1 [.039]