

FOX-15R

15" XGA Heavy-Duty Touch Display With Remote Display Technology



Features

- Supports Remote Display Technology
- IP-67 Water-Proof & Marine IEC60945 ed.4 Compliant
- 15" 250 Nits XGA LED Backlight (FOX-15R-HTT)
15" 800 Nits XGA LED Backlight (FOX-15R-STT)
- Anti-Fog Design: LCD+ TS Bonding Technology
- Brightness Adjustment



Specifications

System	
Input Signal	VGA
On Screen Display Control	Menu, Auto, Up, Down
I/O connector	M12 x 1 for LAN, M12 x 1 for VGA
OS support	Windows® XP, Windows® 7, Linux Fedora
Mechanical	
Construction	IP-67 Sealed Aluminum Alloy Chassis
Mounting	VESA 75/100
Dimension	16.14" x 14.41" x 2.36" (410mm x 366mm x 60mm)
Carton Dimension	20.39" x 18.62" x 8.74" (518mm x 473mm x 222mm)
Gross Weight	—
Net Weight	—
Environmental	
Operating Temperature	-4°F ~ 140°F (-20°C ~ 60°C)
Storage Temperature	-22°F ~ 158°F (-30°C ~ 70°C)
Storage Humidity	10%~95% @ 40°C; non-condensing
Vibration	1 g rms/ 5~500Hz/ Random operation
Shock	15 G peak acceleration (11 msec. Duration)
EMC	CE/FCC Class A IEC 60945 ed.4
Power Supply	
DC input	DC 9~30V
LCD	
Display type	15" TFT-LCD
Max Resolution	1024 x 768
Max. Colors	16.7M colors
Luminance	HTT : 250 nits, STT : 800 nits
Viewing Angle	HTT :170°(H)/160°(V),STT :160°(H)/140°(V)
Back Light	HTT: CCFL, STT: LED
Back Light MTBF (hours)	HTT: 30,000, STT: 60,000
Touchscreen	
Type	5-wire resistive
Light Transmission	80%
Lifetime (times)	35 million activations

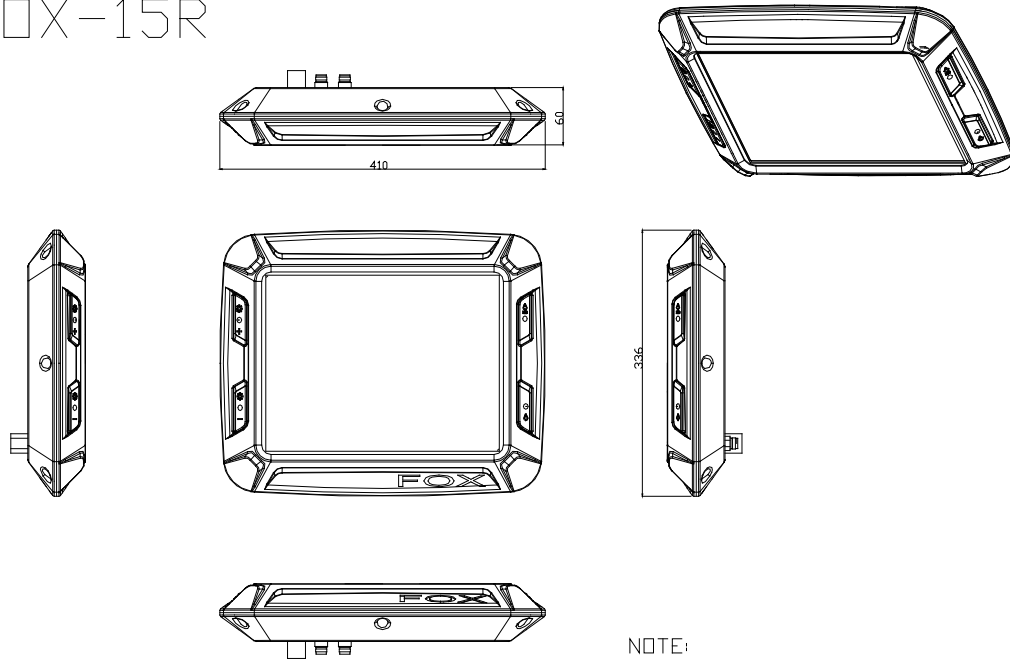
Note: Users have to select the ACG-203 to work with the FOX-15R.

FOX-15R

Dimension

Unit: mm

FOX-15R



NOTE:
1. UNIT:MM
2. VESA: 75*75 & 100*100

Ordering Information

- TBD

Optional Accessories

- TBD