



10 BASE-T SINGLE PORT SURFACE MOUNT MAGNETICS

- Meets IEEE 802.3af & ANSI X 3.263
- Surface mount, open header construction
- Standard operating temp: 0°C to +70°C (see footnote)
- Industrial operating temp: -40°C to +85°C (see footnote)

Electrical Specifications @25°C

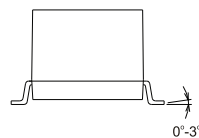
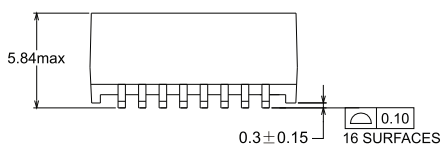
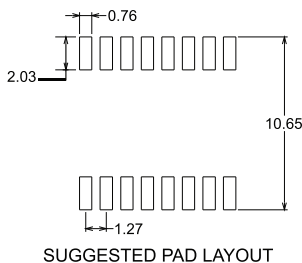
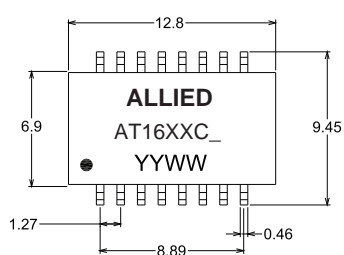
Part Number	Turns Ratio (±5%)	OCL (uH Min)	Lk (uH Max)	CWW (pF Max)	DCR(25°C) (Ω Max)	HI-POT	Primary Pins
	Pri:Sec	100KHz,0.2V	100KHz 0.2V	100KHz 0.2V	Pri		
AT1602C_	1CT:1CT & 1CT:2.5CT	350	0.5	15	0.8	2000VAC	1-3,6-8
AT1604C_	1CT:2CT & 1CT:1CT	200	0.3	12	1.0	1500VAC	1-3,6-8
AT1605C_	1CT:1CT & 1CT:2.5CT	200	0.4	15	0.4	2000VAC	1-3,6-8
AT1609C_	1:1	350 ± 25%	0.3	16	0.35	1500VAC	1-2,4-5,7-8
AT1616C_	1CT:1CT & 1:1.41CT	50&70	0.5	12	0.6	1500VAC	1-3,6-8
AT1617C_	0.3:1	2 ± 20%	0.08	6	0.1	1500VAC	1-3,6-8

*Complete part number by inserting "S" for Standard Temp or "I" for Industrial Temp.

All specifications subject to change without notice.

MECHANICAL

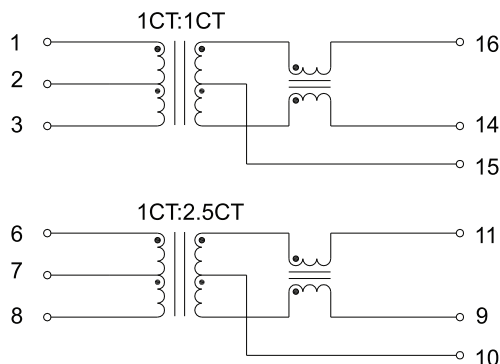
AT1602C_, AT1604C_, AT1605C_, AT1609C_, AT1616C_, AT1617C_



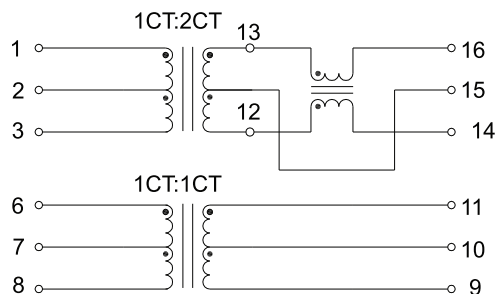
Unless otherwise specified all tolerances are: ±0.25 in mm

SCHEMATICS

AT1602C_



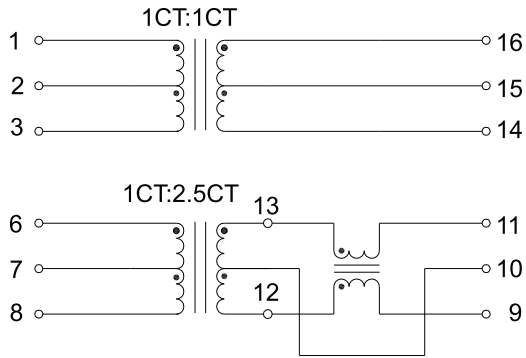
AT1604C_



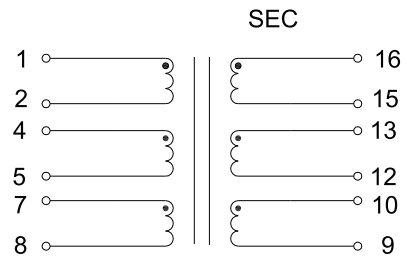


10 BASE-T SINGLE PORT SURFACE MOUNT MAGNETICS

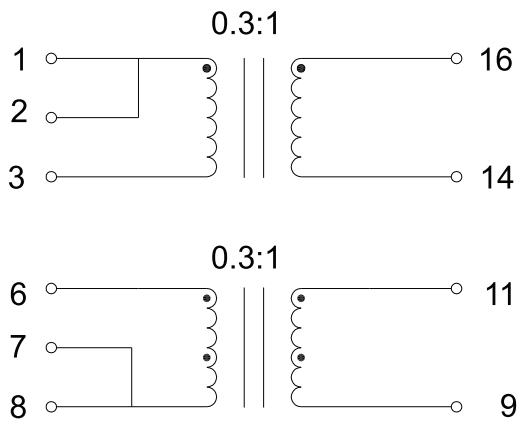
AT1605C_



AT1609C_



AT1617C_



AT1616C_

