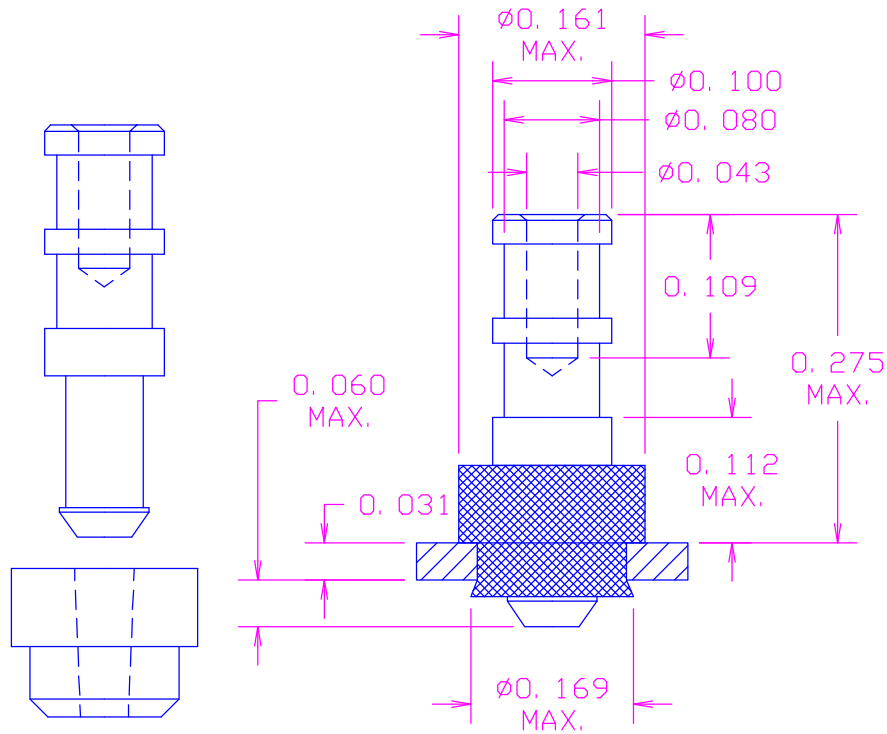


DATE	SYM	REVISION RECORD	AUTH.	DR.	CK.
12/20/00	-	ISSUED		NT	DG



(XX)COLOR CODE:
 10-BLACK
 11-BROWN
 12-RED
 13-ORANGE
 14-YELLOW
 15-GREEN
 16-BLUE
 17-VIOLET
 18-GRAY
 19-WHITE(NATURAL)

RECOMMENDED MOUNTING HOLE $.126 + .003 / - .001$

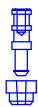
MATERIAL: PIN- BRASS PER ASTM B16,
 ALLOY C 36000, 1/2 HARD

BUSHING- TEFLON PER ASTM D1710
 COLOR(XX)- SEE COLOR CODE

FINISH: PIN- $.000010$ "MIN. GOLD PER MIL-G-45204,
 TYPE II, GARDE C, OVER $.000050$ "MIN. NICKEL

NOTE: PIN AND BUSHING SUPPLIED UNASSSEMBLED

ACTUAL SIZE



TOLERANCES (EXCEPT AS NOTED)	CONCORD		ELECTRONICS CORPORATION
DECIMAL $\pm .005$	P/N	SCALE	30 GREAT JONES ST. NEW YORK N. Y. 10012
FRACTIONAL $\pm 1/64$	TITLE SURE-LOCK TERMINAL		
ANGULAR $\pm 5^\circ$	DATE 12/20/00	DRAWING NUMBER 1175-831-03XX	