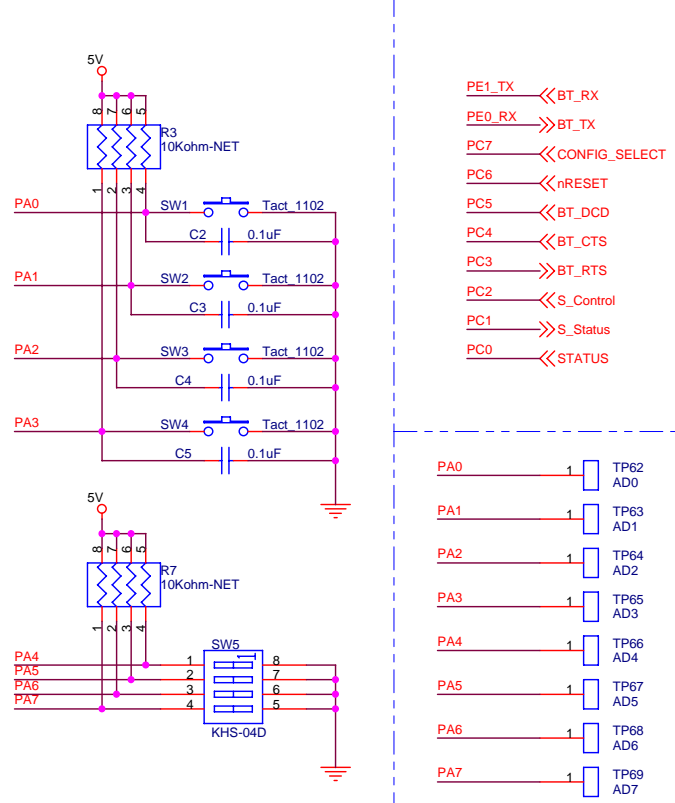
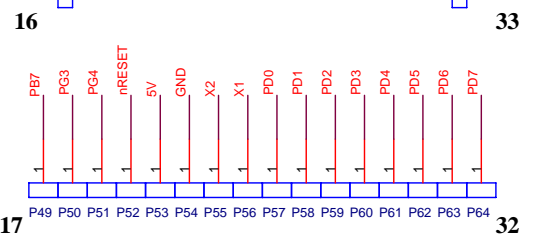
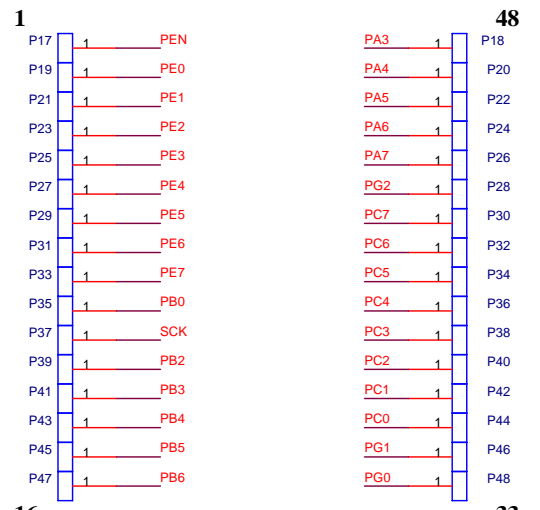
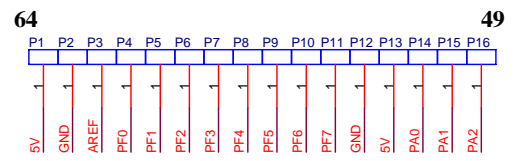


PE2 : Buzzer port
 PE3 : Bluetooth Reset port
 PE4 ~ PE7 : Status LED Port

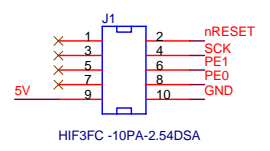


- PE1_TX <<< BT_RX
- PE0_RX >>> BT_TX
- PC7 <<< CONFIG_SELECT
- PC6 <<< nRESET
- PC5 <<< BT_DCD
- PC4 <<< BT_CTS
- PC3 >>> BT_RTS
- PC2 <<< S_Control
- PC1 >>> S_Status
- PC0 <<< STATUS

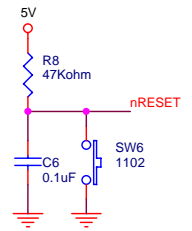


Microprocessor Test Point

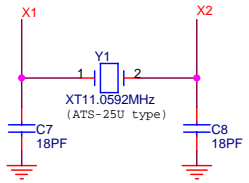
ISP Uploader



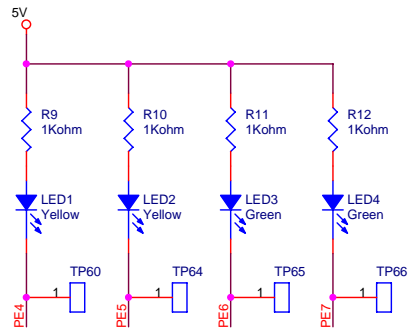
Microprocessor Reset Driver



Frequency Generator



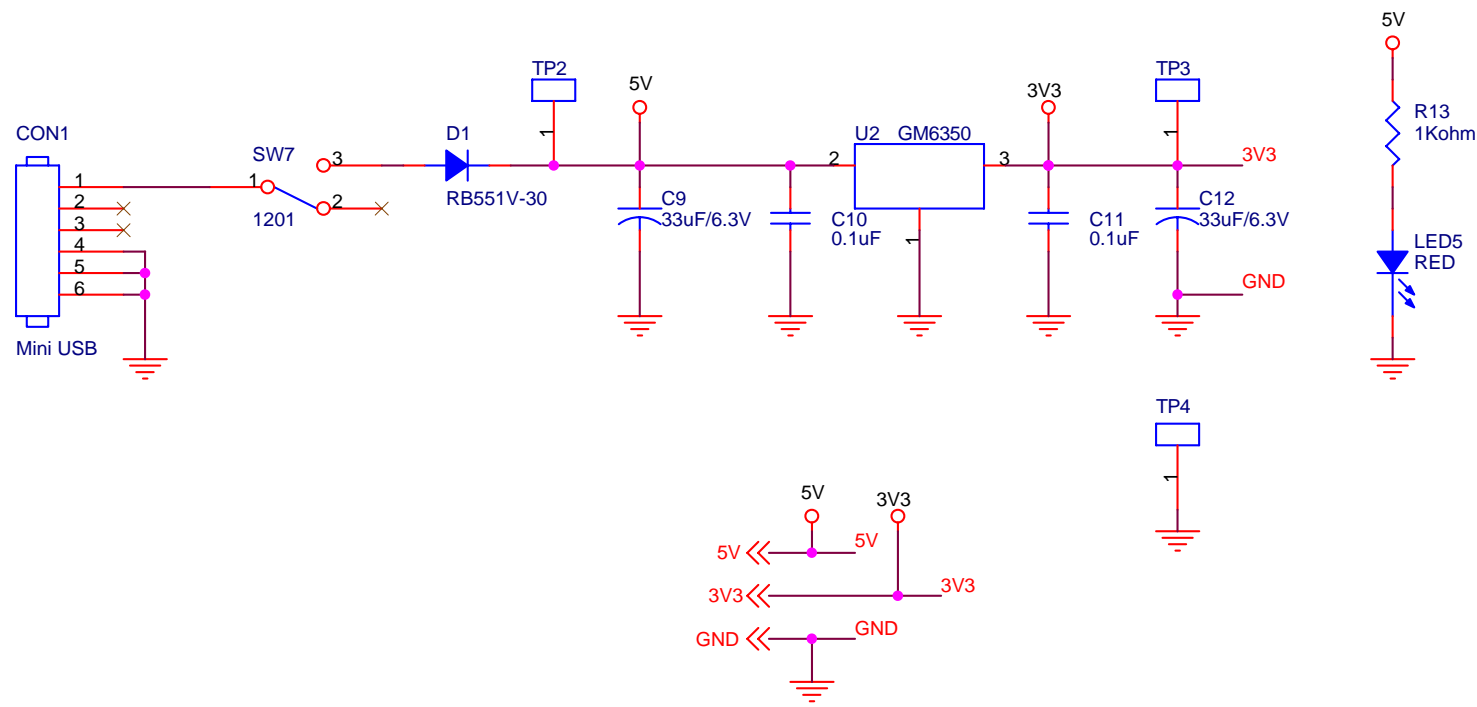
MAIN LED Indicator



Firmtech co., Ltd

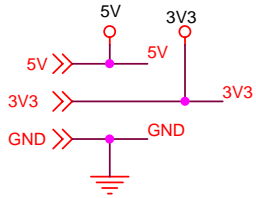
Title			FB800EV CPU
Size	Document Number		Rev
B	FB800EV		1.0
Date:	Friday, August 14, 2009	Sheet	1 of 4

Firmtech [FB800ED] V1.2 Power

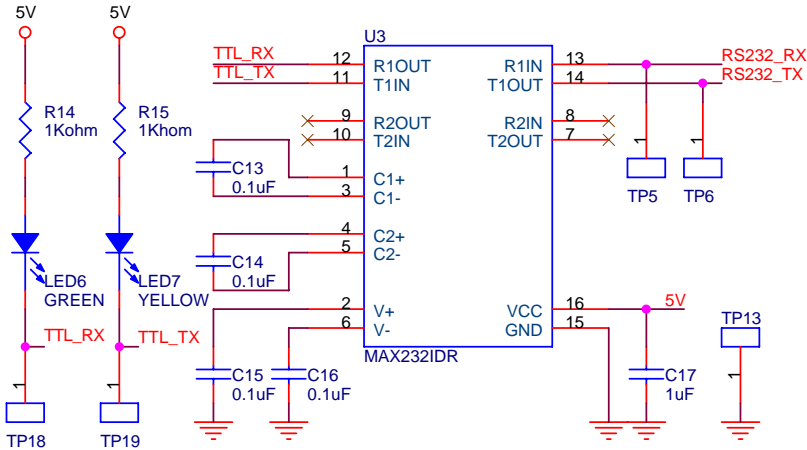


Firmtech co., Ltd		
Title FB800EV Power		
Size A	Document Number FB800EV	Rev 1.0
Date: Friday, August 14, 2009	Sheet 2	of 4

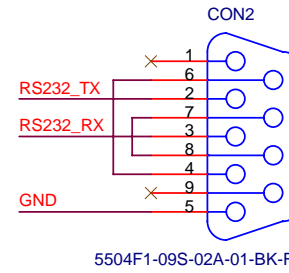
Firmtech [FB800ED] V1.2 Connector & Driver



Power

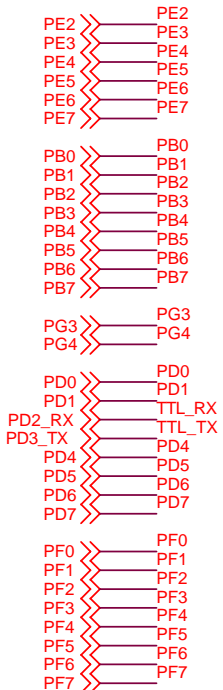


FB800ED UART Interface Driver

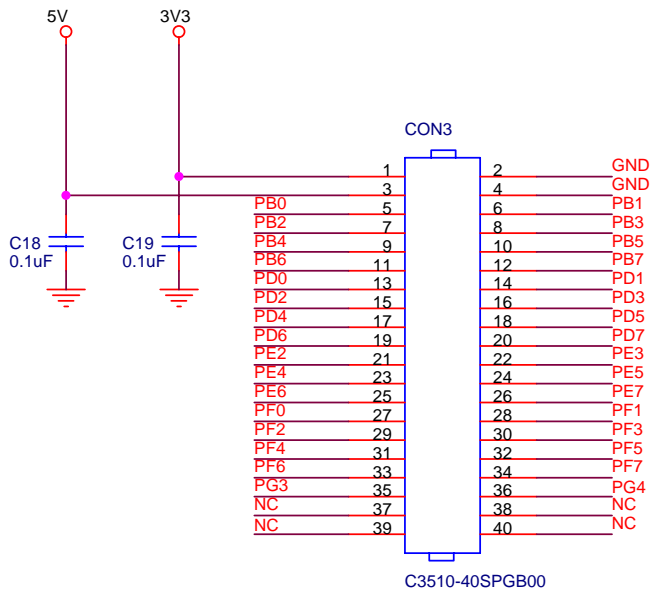


DTR(4) - DSR(6) : loopback
RTS(7) - CTS(8) : loopback

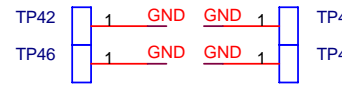
DB-9 RS232 Connector



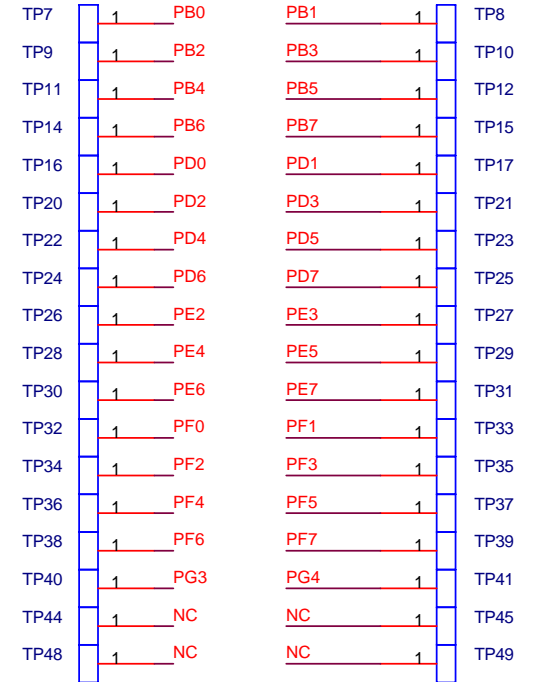
ATmega 128 Interface



Sub Board External interface

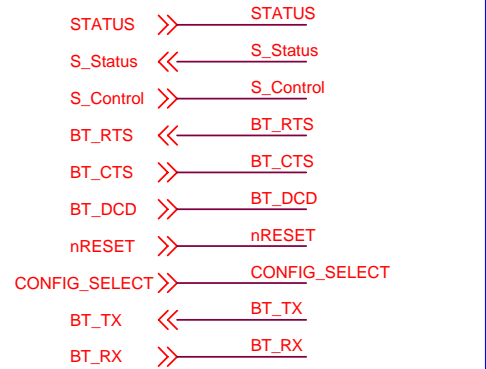
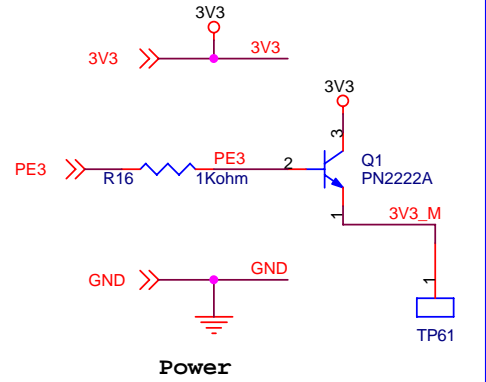


Sub Board External interface Test Point

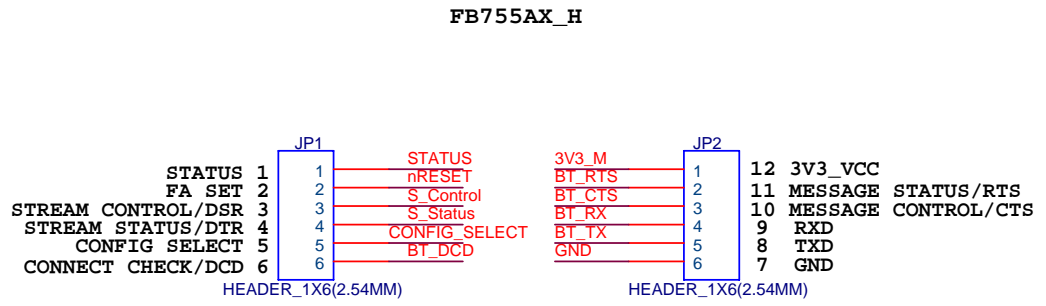


Firmtech co., Ltd			
Title FB800EV Connect & Driver			
Size A4	Document Number FB800EV	Rev 1.0	
Date: Friday, August 14, 2009	Sheet 3	of 4	

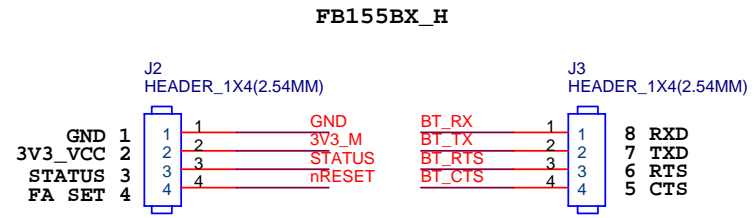
Firmtech [FB800ED]V1.2 Bluetooth Module



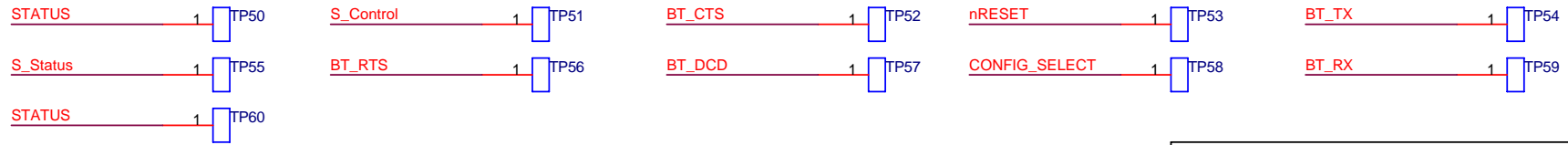
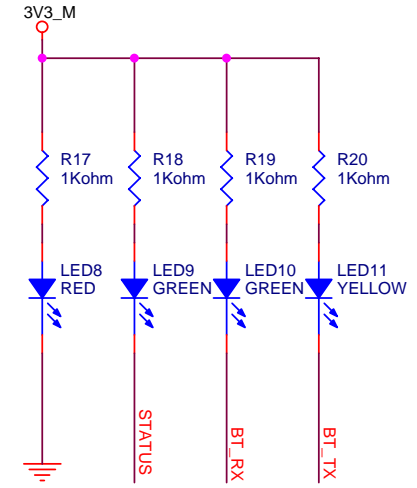
Bluetooth interface



Bluetooth Module interface connector



Bluetooth Module interface connector



Bluetooth interface Test Point

Title		
<Title>		
Size	Document Number	Rev
Custom	<Doc>	<RevCode>
Date:	Friday, August 14, 2009	Sheet 4 of 4