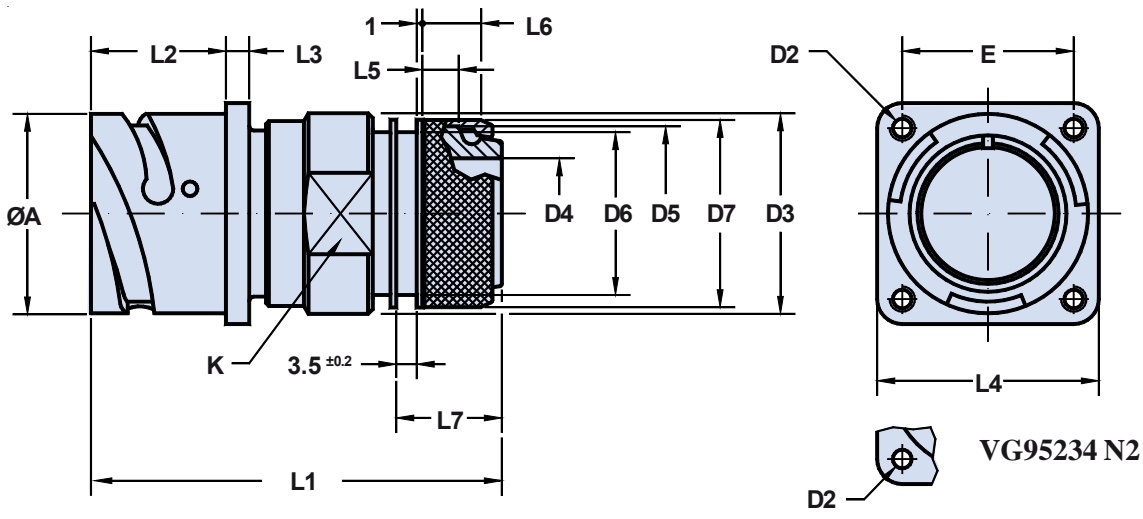
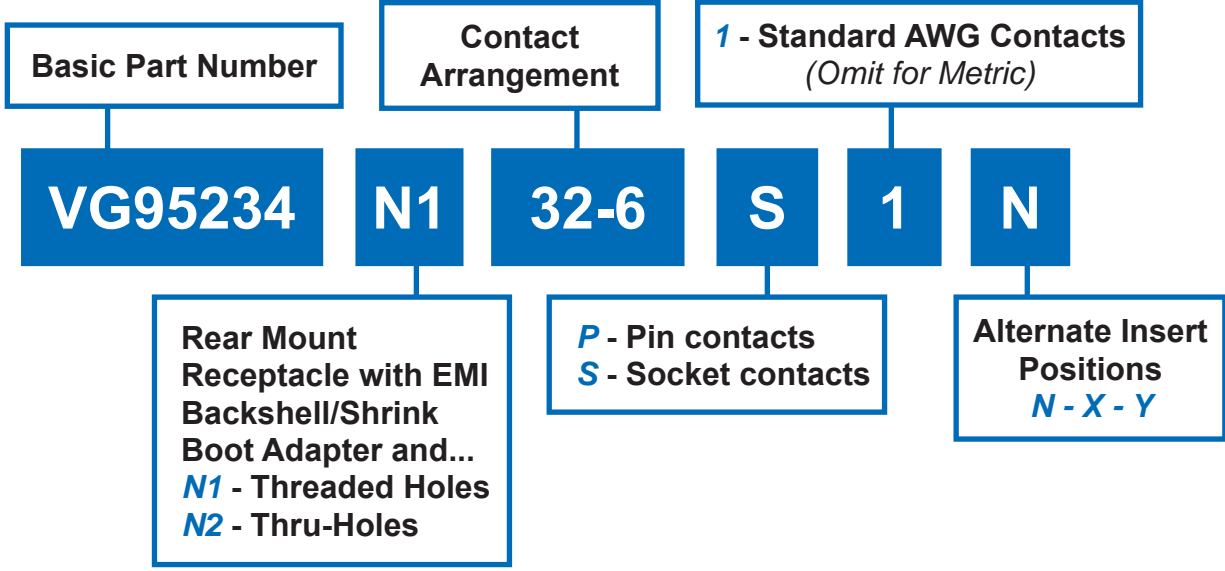


VG95234 N1 and VG95234 N2
Wall Mount Receptacle
with EMI/RFI Backshell and Heat Shrink Boot Lip,
Sealing Grommet and Grounding Fingers



APPLICATION NOTES

- | | |
|---|---|
| 1. Rear wall mount receptacle with EMI backshell and shrink boot adapter. | 4. Standard insert is synthetic rubber, oil and low temperature resistant (-55°C to +125°C) IAW MIL-R-3065. |
| 2. Standard crimp contact material consists of copper alloy with silver plating. Please see pages 16-17 for additional contact information. | 5. Stainless steel and marine bronze shells are available in Series ITS products. Please consult factory. |
| 3. Insert arrangements IAW VG95234. Please see pages 10-15. | 6. All dimensions are metric unless otherwise noted. |

VG95234 N1 and VG95234 N2
Wall Mount Receptacle
 with EMI/RFI Backshell and Heat Shrink Boot Lip,
 Sealing Grommet and Grounding Fingers



DIMENSIONS									
Shell Size	ØA +0 -0.15	D2		E ±0.1	L1 Max	L2 +0.4 -0	L3 ±0.2	L4 ±0.3	Weight gr. Max
		N1	N2 H13						
10 SL	18.2	M4	3.2	18.2	55	18.2	2.8	25.4	45
14 S	24.6	M4	3.2	23.0	58	18.2	3.2	30.0	55
16 S	27.4	M4	3.2	24.6	70	18.2	3.2	32.5	65
16	27.4	M4	3.2	24.6	70	21.5	3.2	32.5	75
18	30.8	M4	3.2	27.0	70	23.05	4.0	35.0	85
20	34.2	M4	3.2	29.4	70	23.05	4.0	38.0	95
22	37.4	M4	3.2	31.8	70	23.05	4.0	41.0	105
24	40.9	M4	3.7	35.9	70	23.05	4.0	44.5	120
28	46.7	M5	3.7	39.7	70	24.05	4.0	50.8	150
32	53.4	M5	4.3	44.5	75	24.05	4.0	57.0	190
36	59.6	M5	4.3	49.2	85	24.05	4.0	63.5	220

Please refer to VG95234M for dimensions D3, D4, D5, D6, D7, K, L5, L6 and L7.

MATERIALS	
SHELLS	INSERTS (Temperature Range)
Aluminum Alloy IAW QQ-A-591 Shells	High Insulation Synthetic Rubber -55°C/+125°C
	CRIMP CONTACTS
	Copper Alloy with Silver Plating Over Nickel

STANDARD FINISH (For QQ-A-591 Aluminum Shells)	
Requirements	Cadmium with Olive Drab Passivation IAW QQ-P-416
Thermal Shock	-55°C + 125°C
Salt Spray After Thermal Shock	500 hour
Electrical Conductivity	Very Good
Abrasion Resistance	Very Good