



N Female Bulkhead Precision Connector Solder Attachment
 For PE-SR405AL, PE-SR405FL, RG405, .640 inch DD Hole

TECHNICAL DATA SHEET

PE4655

N Female Bulkhead Precision Connector Solder Attachment For PE-SR405AL, PE-SR405FL, RG405, .640 inch DD Hole

Configuration

Connector	N Female
Connector Specification	MIL-STD-348A
Connector Interface Type	PE-SR405AL,PE-SR405FL,RG405
Cable Attachment Method (Shield/Contact)	Solder/Solder
Connector Design	Precision
Body Style	Straight
Mount Method	Bulkhead

Electrical Specifications

Impedance, Ohms	50
-----------------	----

Mechanical Specifications

Size

Length, in [mm]	1.26 [32]
Width/Dia., in [mm]	0.825 [21]
Weight, lbs [g]	0.096 [43.54]

Connector

Type	N Female
Contact Material and Plating	Brass, Gold
Contact Plating Specification	3µ in. minimum
Body Material and Plating	Brass, Nickel
Body Plating Specification	100µ in. minimum
Dielectric Type	Teflon

Compliance Certifications (visit www.Pasternack.com for current document)

RoHS Compliant	Yes
----------------	-----

Click the following link (or enter part number in "SEARCH" on website) to obtain additional part information including price, inventory and certifications: [N Female Bulkhead Precision Connector Solder Attachment For PE-SR405AL, PE-SR405FL, RG405, .640 inch DD Hole PE4655](#)

The information contained in this document is accurate to the best of our knowledge and representative of the part described herein. It may be necessary to make modifications to the part and/or the documentation of the part, in order to implement improvements. Pasternack reserves the right to make such changes as required. Unless otherwise stated, all specifications are nominal.





N Female Bulkhead Precision Connector Solder Attachment
For PE-SR405AL, PE-SR405FL, RG405, .640 inch DD Hole

TECHNICAL DATA SHEET

PE4655

Plotted and Other Data

Notes:

Values at 25 °C, sea level

N Female Bulkhead Precision Connector Solder Attachment For PE-SR405AL, PE-SR405FL, RG405, .640 inch DD Hole from Pasternack Enterprises has same day shipment for domestic and International orders. Our RF, microwave and fiber optic products maintain a 99% availability and are part of the broadest selection in the industry.

Click the following link (or enter part number in "SEARCH" on website) to obtain additional part information including price, inventory and certifications: [N Female Bulkhead Precision Connector Solder Attachment For PE-SR405AL, PE-SR405FL, RG405, .640 inch DD Hole PE4655](http://www.pasternack.com/n-female-standard-pe-sr405al-pe-sr405fl-rg405-connector-pe4655-p.aspx)

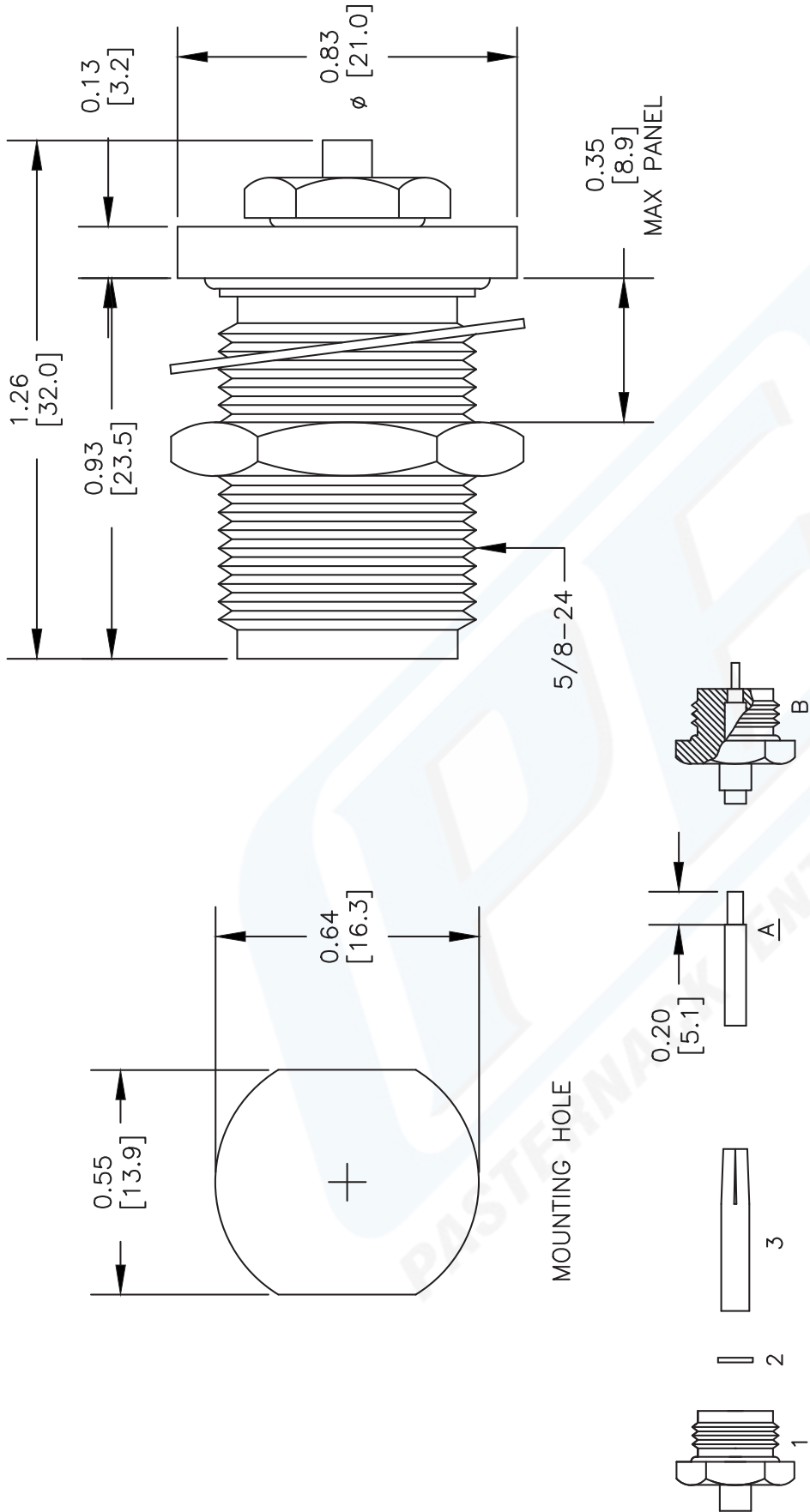
URL: <http://www.pasternack.com/n-female-standard-pe-sr405al-pe-sr405fl-rg405-connector-pe4655-p.aspx>

The information contained in this document is accurate to the best of our knowledge and representative of the part described herein. It may be necessary to make modifications to the part and/or the documentation of the part, in order to implement improvements. Pasternack reserves the right to make such changes as required. Unless otherwise stated, all specifications are nominal.



PE4655 CAD Drawing

N Female Bulkhead Precision Connector Solder Attachment For
PE-SR405AL, PE-SR405FL, RG405, .640 inch DD Hole



ASSEMBLY PROCEDURES

1. STRIP CABLE AS SHOWN IN (A). DO NOT CUT DIELECTRIC.
2. INSERT CABLE THRU CLAMP NUT(1) UNTIL IT BOTTOMS OUT. SOLDER OUTER CONDUCTOR TO CLAMP NUT & TRIM DIELECTRIC AS SHOWN IN (B).
3. SLIDE PTFE BUSHING(2) ON TO CENTER CONDUCTOR; SOLDER CONTACT(3) TO CENTER CONDUCTOR THEN SCREW ASSEMBLY INTO BODY & TIGHTEN.

DWG TITLE

PE4655

- NOTES:
1. UNLESS OTHERWISE SPECIFIED ALL DIMENSIONS ARE NOMINAL.
 2. ALL SPECIFICATIONS ARE SUBJECT TO CHANGE WITHOUT NOTICE AT ANY TIME.
 3. DIMENSIONS ARE IN INCHES [mm].
 4. FITS MIL-C-17 AND EQUIVALENT CABLES.

PE PASTERNAK®
Pasternack Enterprises, Inc.
P.O. Box 16759 | Irvine | CA | 92623
Phone: (949) 261-1920 | Fax: (949) 261-7451
Website: www.pasternack.com | E-Mail: sales@pasternack.com

FSCM NO. 53919

CAD FILE 052902

SCALE N/A

SIZE A

127