

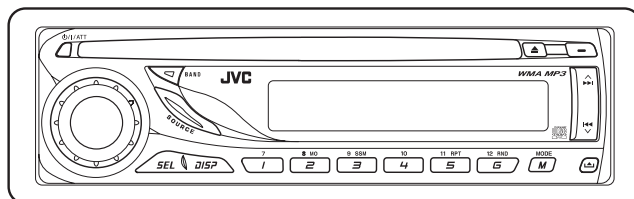
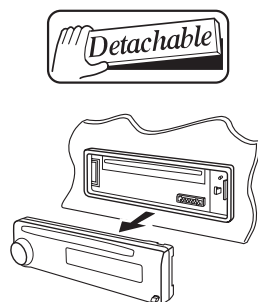
JVC

SCHEMATIC DIAGRAMS

CD RECEIVER

KD-AR270, KD-G220, KD-G227 KD-G321, KD-G322, KD-G323 KD-G324, KD-G325, KD-G326 KD-G327

CD-ROM No.SML200512



WMA MP3



Lead free solder used in the board (material : Sn-Ag-Cu, melting point : 219 Centigrade)

KD-AR270, KD-G220

Area suffix

J ----- Northern America

KD-G227, KD-G327

Area suffix

EE ----- Russian Federation

KD-G321, KD-G322

Area suffix

E ----- Southern Europe
EX ----- Northern Europe
EY ----- Eastern Europe
EU ----- Turkey

KD-G323, KD-G324

Area suffix

UI ----- India

KD-G325, KD-G326


Area suffix

UT ----- Taiwan
UH ----- Thailand
UN ----- Indonesia
U ----- Other Areas

Contents

Block diagram (For KD-AR270, KD-G220, KD-G227, KD-G323, KD-G324, KD-G325, KD-G326)	2-1
Standard schematic diagrams (For KD-AR270, KD-G220, KD-G323, KD-G324, KD-G325, KD-G326)	2-3
Standard schematic diagrams (For KD-G227)	2-11
Block diagram (For KD-G321, KD-G322, KD-G327)	2-19
Standard schematic diagrams (For KD-G321, KD-G322)	2-21
Standard schematic diagrams (For KD-G327)	2-29
Printed circuit boards	2-37 to 39

Safety precaution

 **CAUTION** Burrs formed during molding may be left over on some parts of the chassis. Therefore, pay attention to such burrs in the case of performing repair of this system.

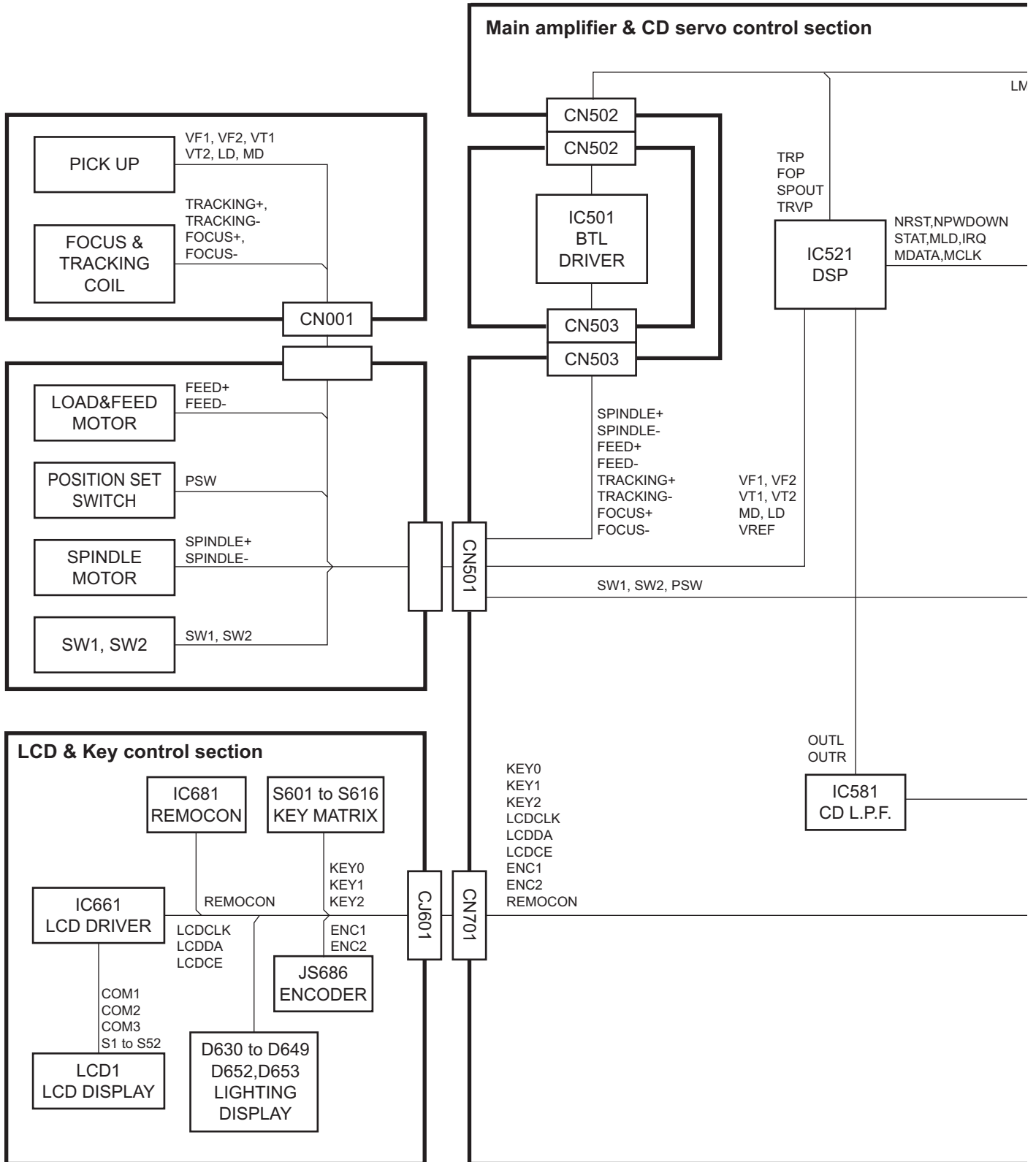
 **CAUTION** Please use enough caution not to see the beam directly or touch it in case of an adjustment or operation check.

Difference point

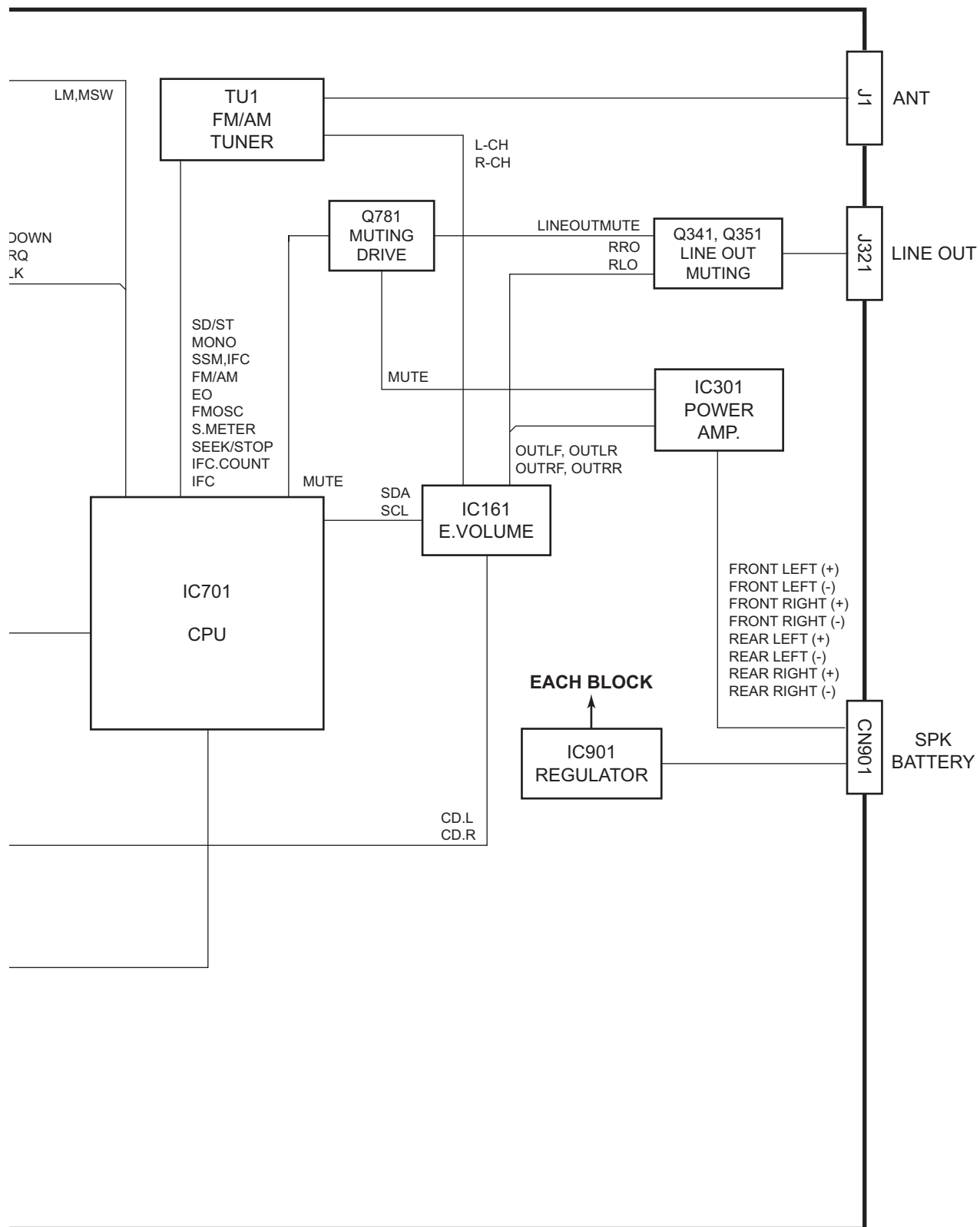
	KD-AR270 KD-G220,KD-G227	KD-G321 KD-G322	KD-G323,KD-G324 KD-G325,KD-G326	KD-G327
Remote ready	YES	NO	YES	YES
Steering remote ready	NO	YES	NO	NO
Power antenna	NO	NO	YES	NO
Telephone Muting	NO	YES	NO	YES

< MEMO >

Block diagram (For KD-AR270,KD-G220,KD-G227,KD-G323,KD-G324,KD-G325,KD-G3



(D-G326)



Standard schematic diagrams (For KD-AR270, KD-G220, KD-G323, KD-G324, I

■ Main amplifier section

* REMARK

1. VERSION SETTING

MODEL	KD-AR270J KD-G220J	KD-G323UJ KD-G324UJ	KD-G325U SERIES KD-G326U SERIES
D701	USE	USE	NO USE
D702	USE	NO USE	NO USE
D703	USE	USE	NO USE
D704	USE	NO USE	NO USE

2. TUNER

MODEL	KD-AR270J KD-G220J	KD-G323UJ KD-G324UJ KD-G325U SERIES KD-G326U SERIES
C91-C91	0.022	0.012
C92-C92	0.0068	0.0056
R91-R91	3.3K	2.7K
R92-R92	3.3K	3.3K
OK	NOT USED	USED
R16	0 Ohm	100k
C11	0.01	330p

3. POWER ANTENNA

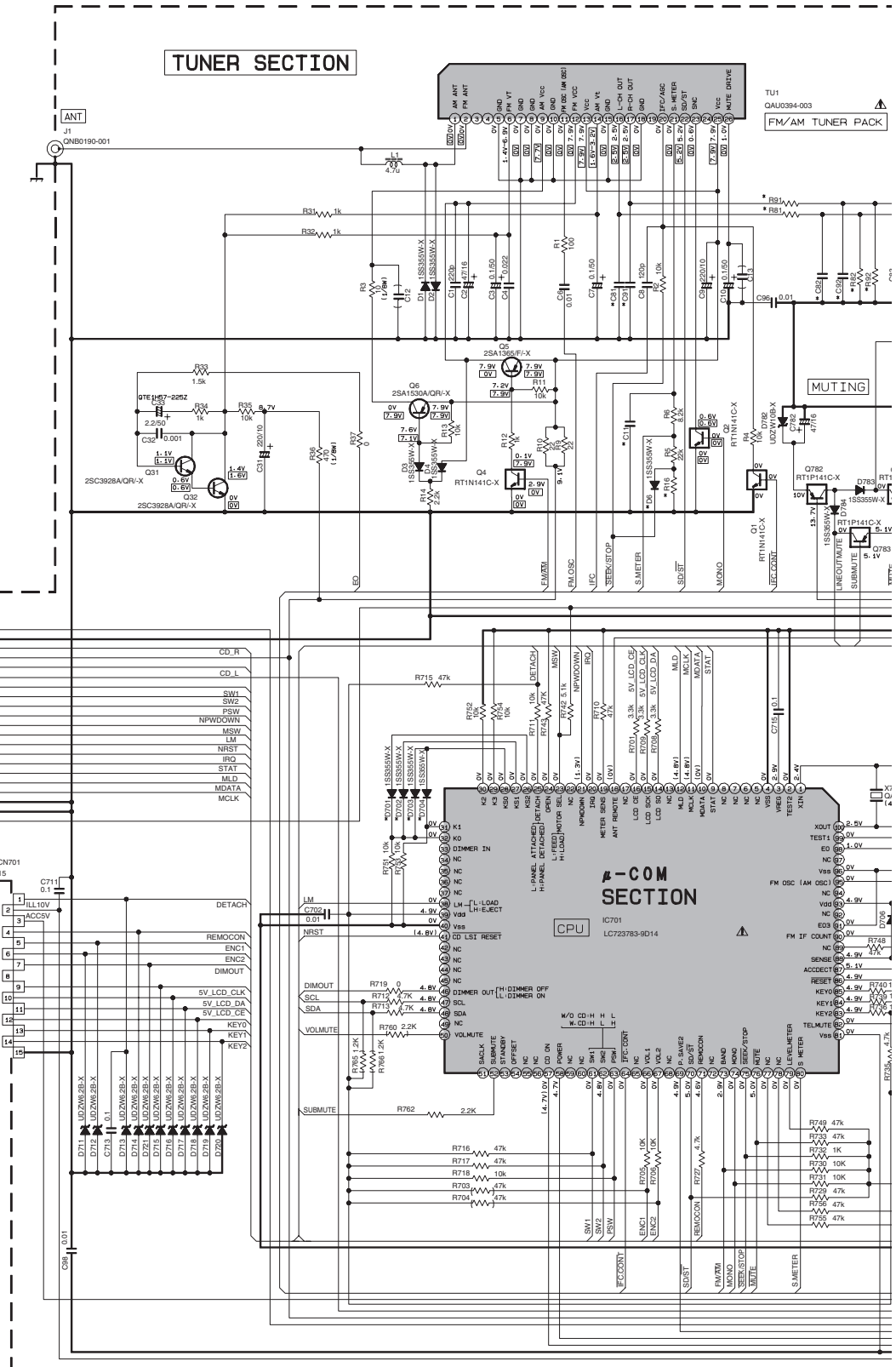
MODEL	KD-AR270J KD-G220J	KD-G323UJ KD-G324UJ KD-G325U SERIES KD-G326U SERIES
C913-C919 D965-D907 R919	NO USE	USE

4. POWER CORD

MODEL	KD-AR270J KD-G220J	KD-G323UJ KD-G324UJ KD-G325U SERIES KD-G326U SERIES
PART NO.	QAM0013-008	QAM0390-004

5. POWER LC

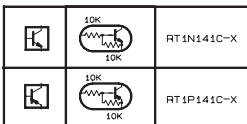
MODEL	KD-AR270J KD-G323UJ KD-G324UJ KD-G325U SERIES KD-G326U SERIES	KD-G220J
IC301	LA47301	LA4743K
C901	2700/16 GE20769-278	2200/16 GE20849-288
R166-R167, R176-R177	0 Ohm (1/5W)	27K (1/5W)
C361-C362, C363-C364 R361-R362, R363-R364 C363-R319	USE	NO USE
C305, C306-C307, C308 B315	NO USE	USE
C301	0.22/50	3.3/50
R301	1.0K	1.5K
C311	0.47(1F) QYV91HJ-4742	22/16
R302	10k	47k



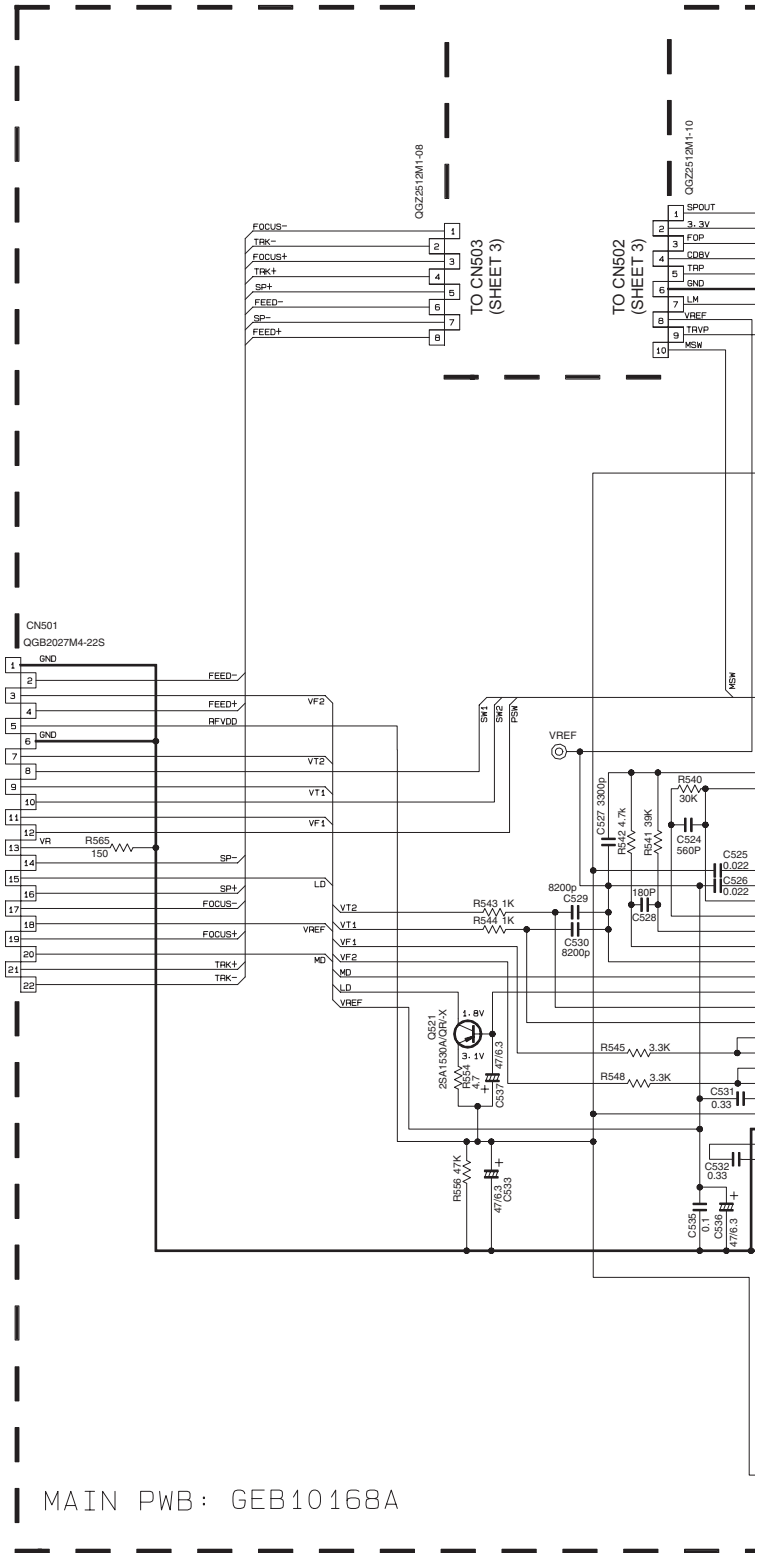
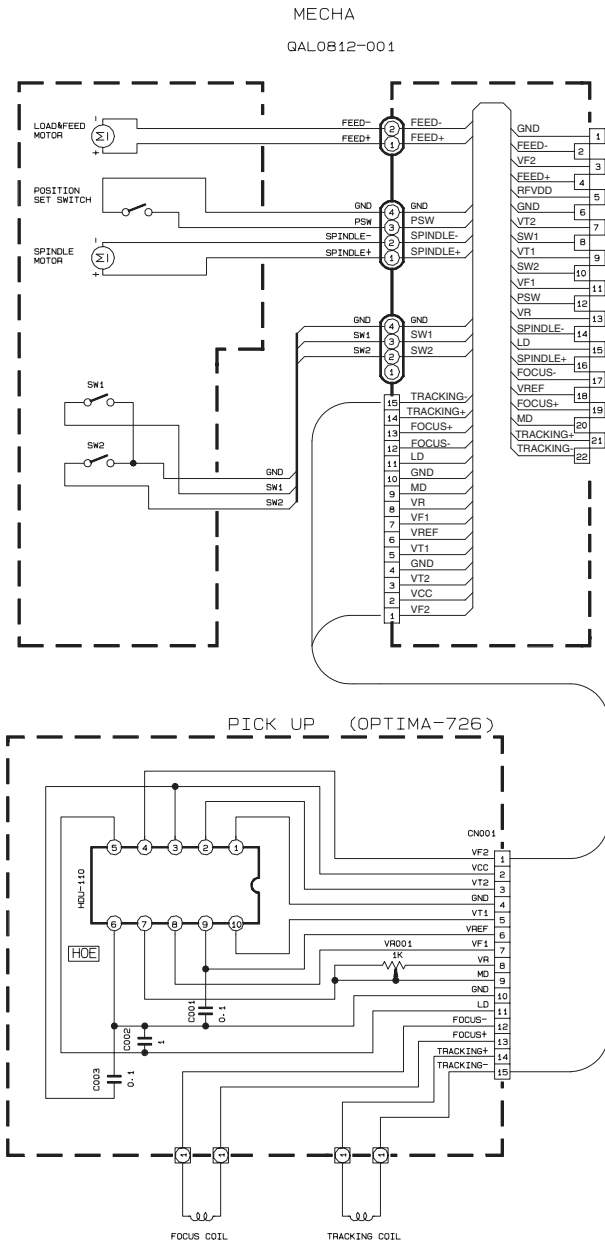
NOTES

- VOLTAGE ARE DC-MEASURED WITH A DIGITAL VOLTMETER WITHOUT INPUT SIGNAL CONDITION. ---FM(AM MODE). () CD MODE!
- UNLESS OTHERWISE SPECIFIED. ALL RESISTOR ARE 1/5W ±5%METAL GLAZE RESISTOR. ALL CAPACITOR ARE 50V OR 25V CERAMIC CAPACITOR. ALL RESISTANCE VALUES ARE IN OHM. ALL CAPACITANCE VALUES ARE IN UF(μF). ALL INDUCTANCE VALUES ARE IN UH. ALL E. CAPACITORS ARE SHOWN IN THE FORM OF CAPACITANCE(UF)/RATED VOLTAGE(V)

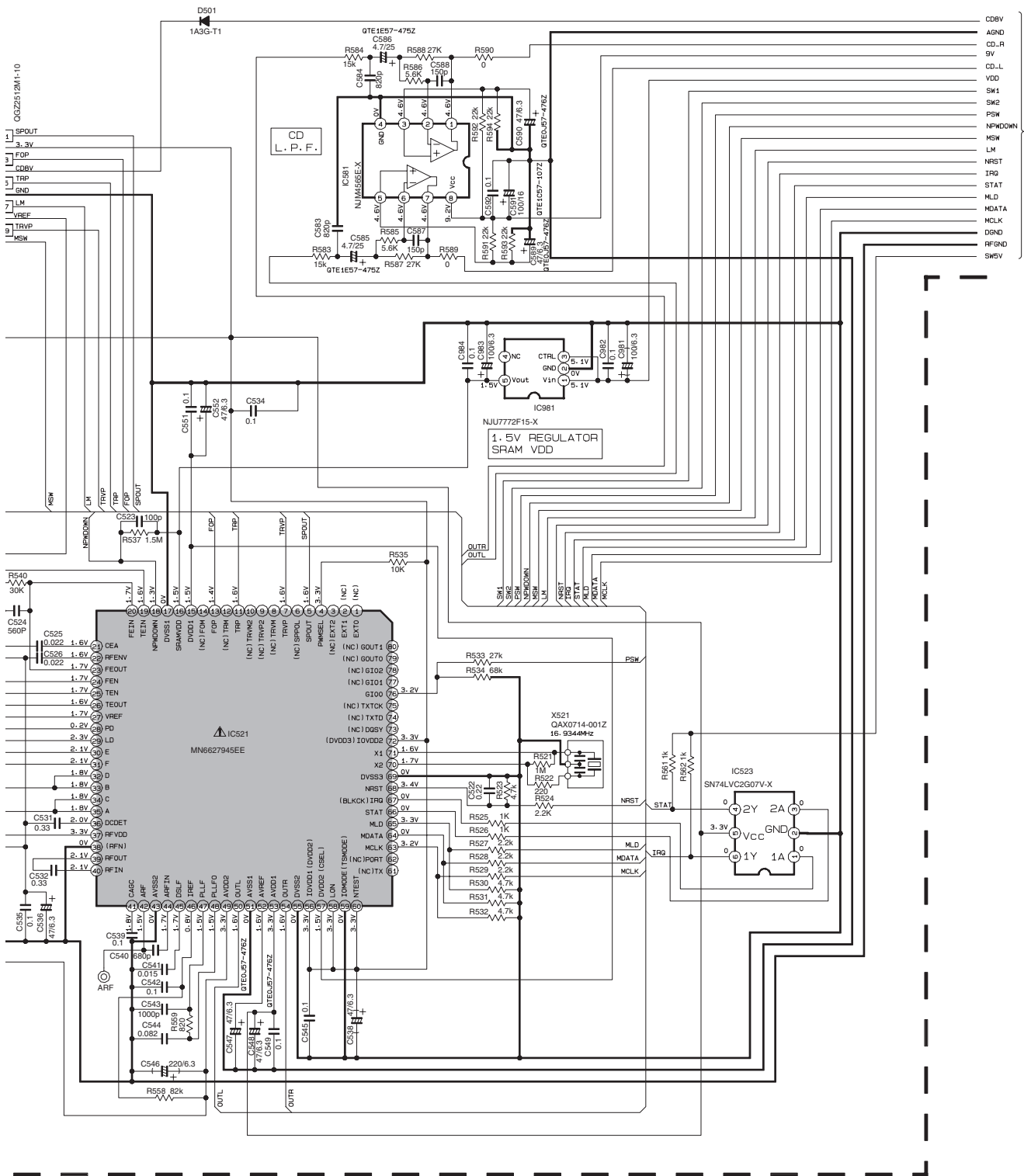
⚠ Parts are safety assurance pe
When replacing those parts m
sure to use the specified one.



CD servo control section (1/2)



- NOTES:**
- VOLTAGE ARE DC-MEASURED WITH A DIGITAL VOLTMETER WITHOUT INPUT SIGNAL CONDITION
--- CD MODE.
 - UNLESS OTHERWISE SPECIFIED:
ALL RESISTOR ARE 1/16W ±5%METAL GLAZE RESISTOR.
ALL CAPACITOR ARE 50V OR 25V CERAMIC CAPACITOR.
ALL RESISTANCE VALUES ARE IN OHM
ALL CAPACITANCE VALUES ARE IN uF(p-pF).
ALL INDUCTANCE VALUES ARE IN uH
ALL E. CAPACITORS ARE SHOWN IN THE FORM OF CAPACITANCE(uF)/RATE



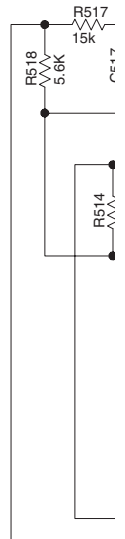
TO SHEET 1

⚠ Parts are safety assurance parts.
When replacing those parts make
sure to use the specified one.

ITANCE(UF)/RATED VOLTAGE(V)

■ CD servo control section (2/2)

FUNCTION PWB : GEB10180A



NOTES:

1. VOLTAGE ARE DC-MEASURED WITH A DIGITAL VOLTMETER WITHOUT INPUT SIGNAL CONDITION
--- CD MODE.

2. UNLESS OTHERWISE SPECIFIED.

ALL RESISTOR ARE 1/16W $\pm 5\%$ METAL GLAZE RESISTOR.


ALL CAPACITOR ARE 50V OR 25V CERAMIC CAPACITOR.

ALL RESISTANCE VALUES ARE IN OHM

ALL CAPACITANCE VALUES ARE IN μF (p=pF).

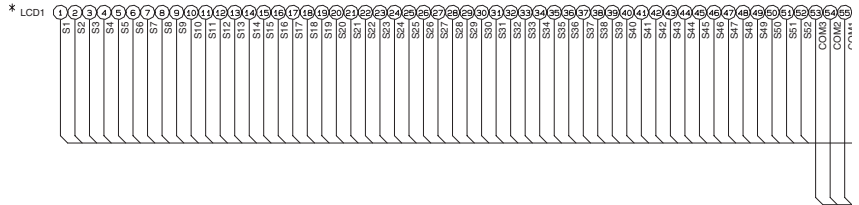
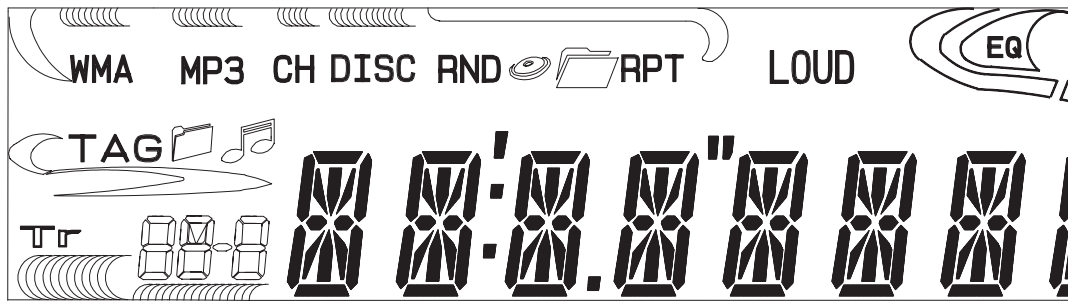
ALL INDUCTANCE VALUES ARE IN μH

ALL E. CAPACITORS ARE SHOWN IN THE FORM OF CAPACITANCE(μF)/RATED VOLTAGE(V)

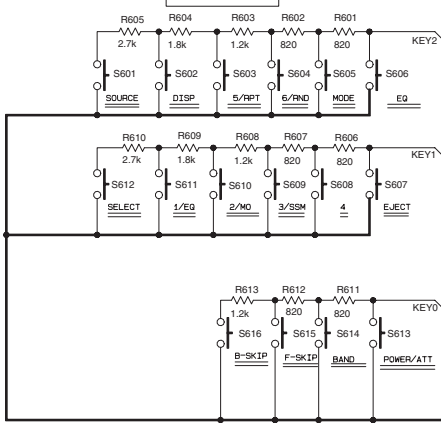
 Parts are safety assurance parts.
When replacing those parts make
sure to use the specified one.

■ LCD & Key control section

LCD DISPLAY

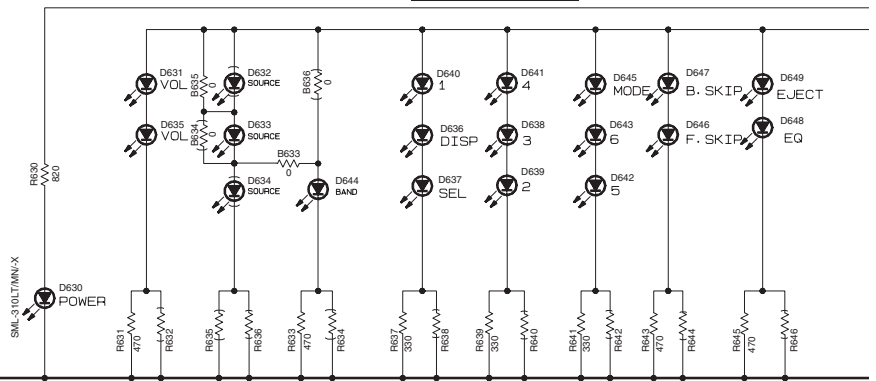


KEY MATRIX

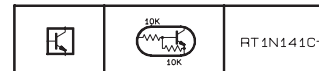


S601-S618: NSW0124-001X

LIGHTING DISPLAY



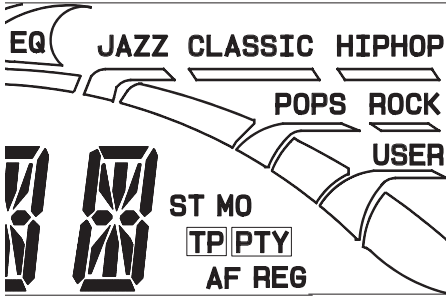
D631, D633, D635 - D649: SML-310VT/JK/-X



MODEL	KD-AR270J	KD-G323UI
	KD-G220J	KD-G324UI
		KD-G325U SERIES
		KD-G326U SERIES
LCD1	QLD0419-001	QLD0390-001

NOTES

- VOLTAGES ARE DC-MEASURED WITH A DIGITAL VOLT ME
- UNLESS OTHERWISE SPECIFIED.
 - ALL RESISTORS ARE 1/16W ±5% METAL GLAZE RESIST
 - ALL CAPACITORS ARE 50V OR 25V CERAMIC CAPACITOR
 - ALL RESISTANCE VALUES ARE IN OHM.
 - ALL CAPACITANCE VALUES ARE IN uF (P=pF)
 - ALL E. CAPACITORS ARE SHOWN IN THE FORM OF CAPAI
 - T --- TANTALUM CAPACITOR.
- COMPONENTS IN () INDICATE NOT USE.



50
51
52
53
54
55
56
57
58
59
60

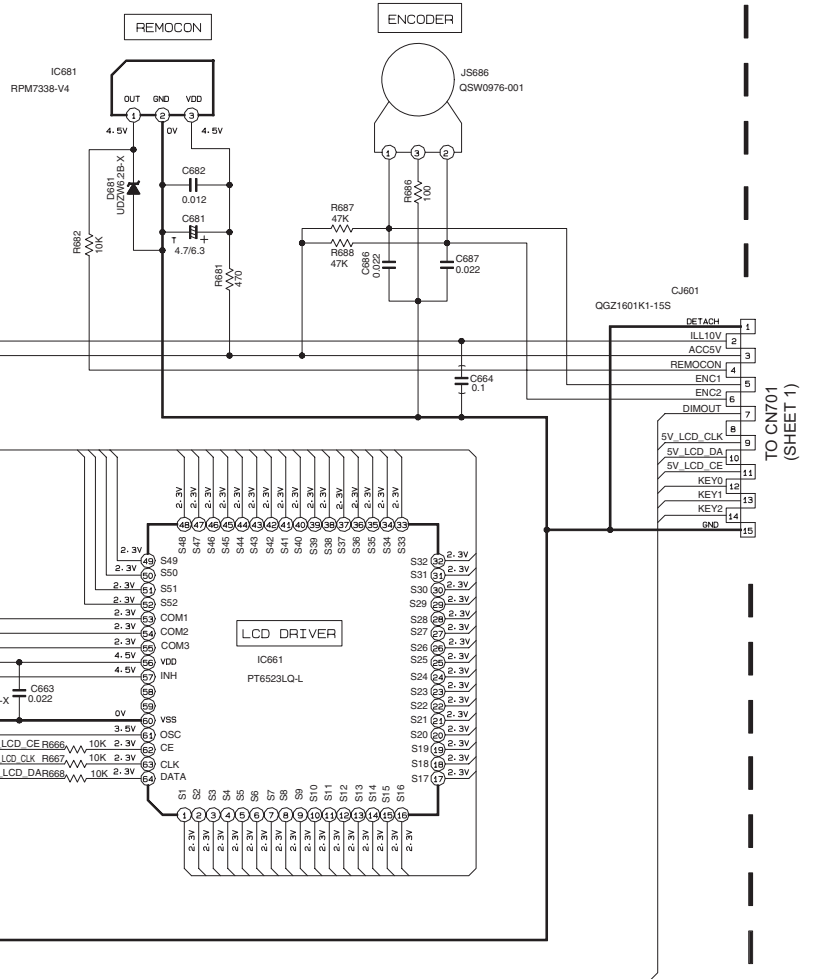
3649
3648
EQ

RT1N141C-X

TAL VOLT METER WITHOUT INPUT SIGNAL.

LAZE RESISTOR.
C CAPACITOR.

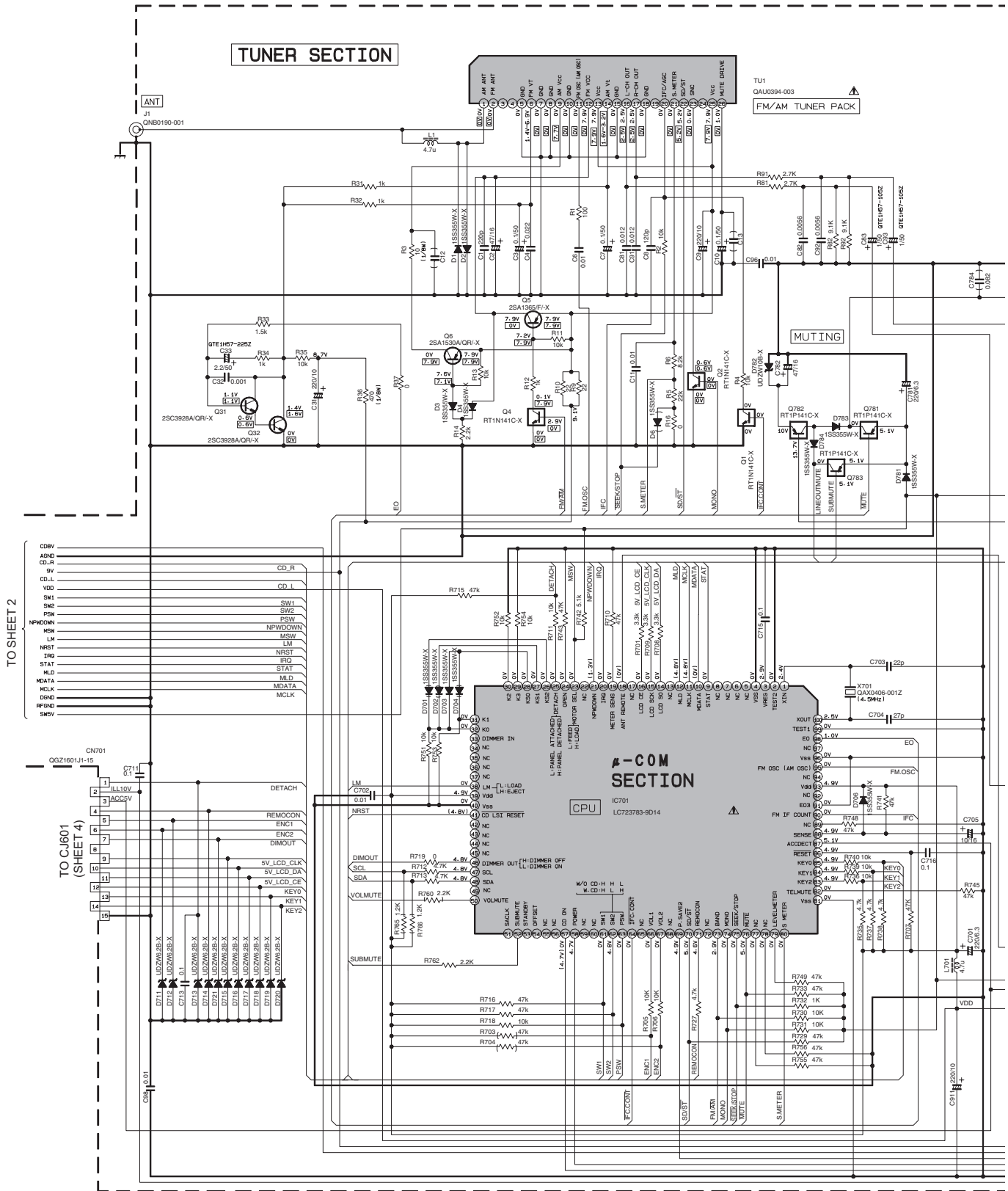
μF)
FORM OF CAPACITANCE (μF)/RATED VOLTAGE (V)



TO CNT01
(SHEET 1)

Standard schematic diagrams (For KD-G227)

■ Main amplifier section



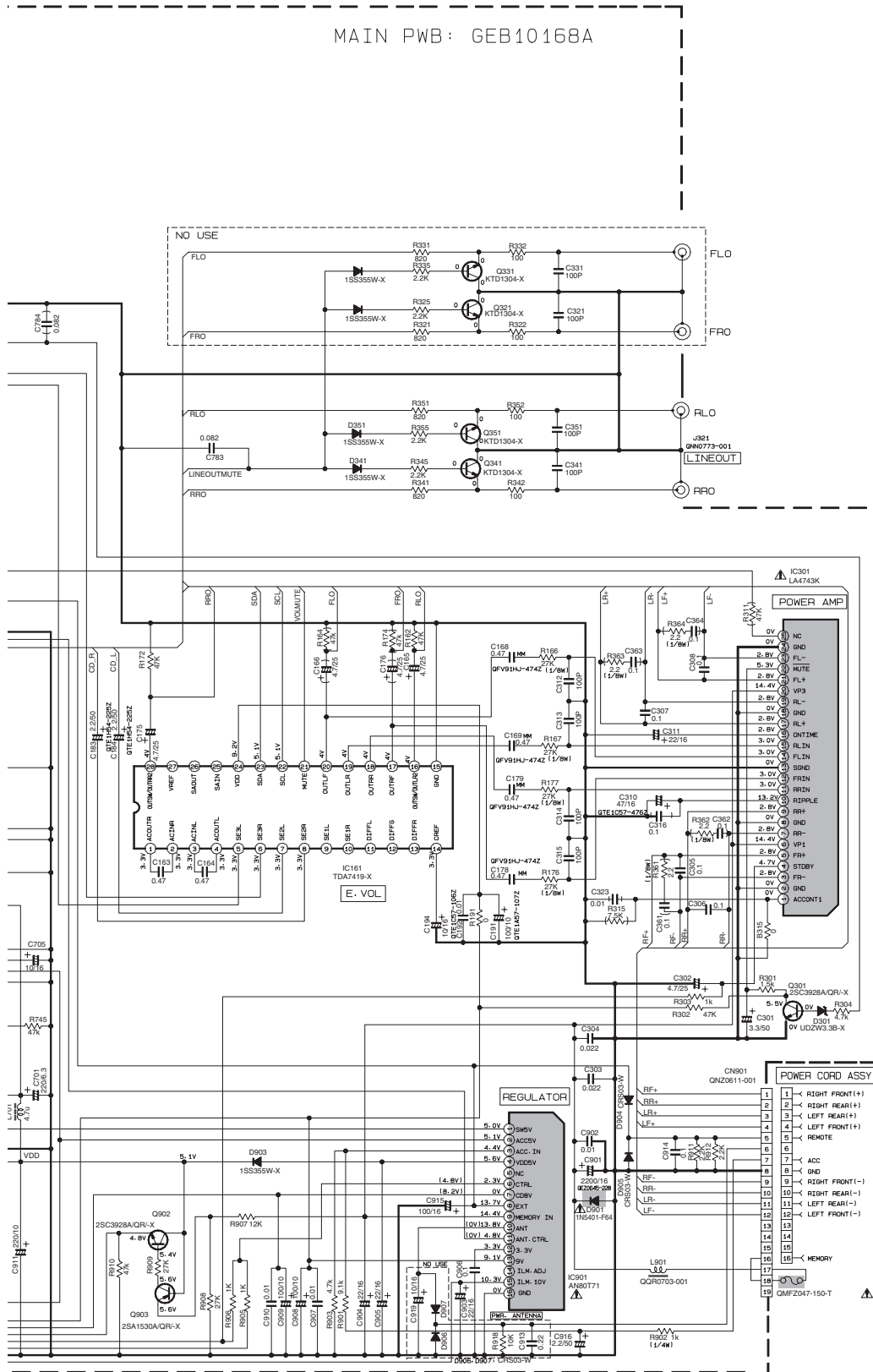
		RT1N141C-X
		RT1P141C-X

NOTES:

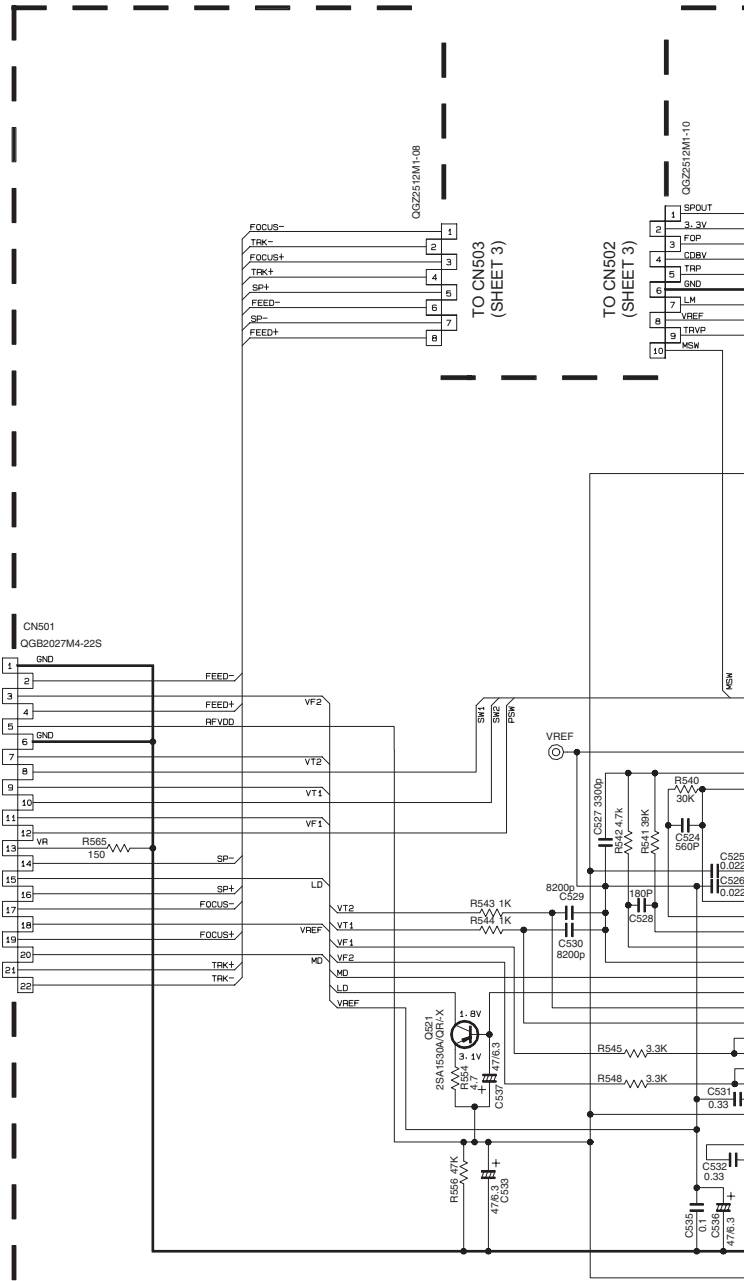
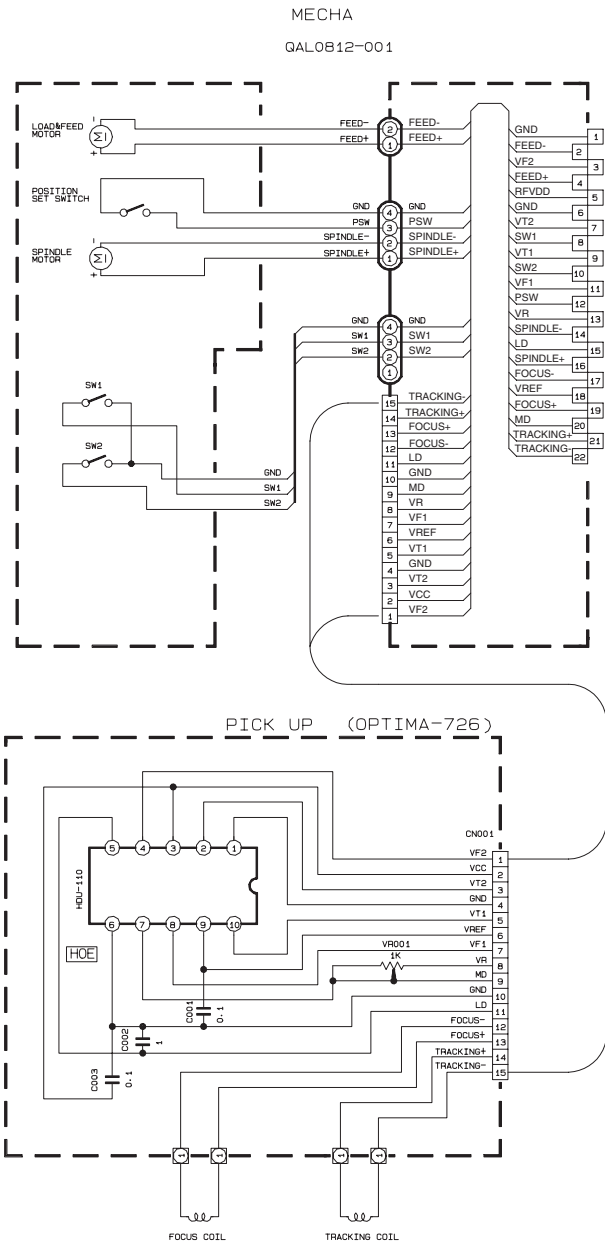
- VOLTAGE ARE DC-MEASURED WITH A DIGITAL VOLT-METER WITHOUT INPUT SIGNAL CONDITION
--FM (FM MODE-1) (CD MODE)
- UNLESS OTHERWISE SPECIFIED:
ALL RESISTOR ARE 1/16W ±5% METAL GLAZE RESISTOR.
ALL CAPACITOR ARE 50V OR 25V CERAMIC CAPACITOR.
ALL RESISTANCE VALUES ARE IN OHM
ALL CAPACITANCE VALUES ARE IN uF (p=PF).
ALL INDUCTANCE VALUES ARE IN uH
ALL E-CAPACITORS ARE SHOWN IN THE FORM OF CAPACITANCE (uF/RATED VOLTAGE(V))

Parts are safety assured. When replacing those parts, please use the specific parts.

MAIN PWB : GEB10168A



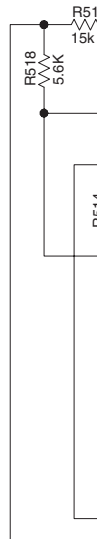
CD servo control section (1/2)



- NOTES:**
- VOLTAGE ARE DC-MEASURED WITH A DIGITAL VOLTMETER WITHOUT INPUT SIGNAL CONDITION
--- CD MODE.
 - UNLESS OTHERWISE SPECIFIED.
ALL RESISTOR ARE 1/16W ± 5% METAL GLAZE RESISTOR.
ALL CAPACITOR ARE 50V OR 25V CERAMIC CAPACITOR.
ALL RESISTANCE VALUES ARE IN OHM
ALL CAPACITANCE VALUES ARE IN uF (p=PF).
ALL INDUCTANCE VALUES ARE IN uH
ALL E. CAPACITORS ARE SHOWN IN THE FORM OF CAPACITANCE (uF)/RA

■ CD servo control section (2/2)

FUNCTION PWB : GEB10180A




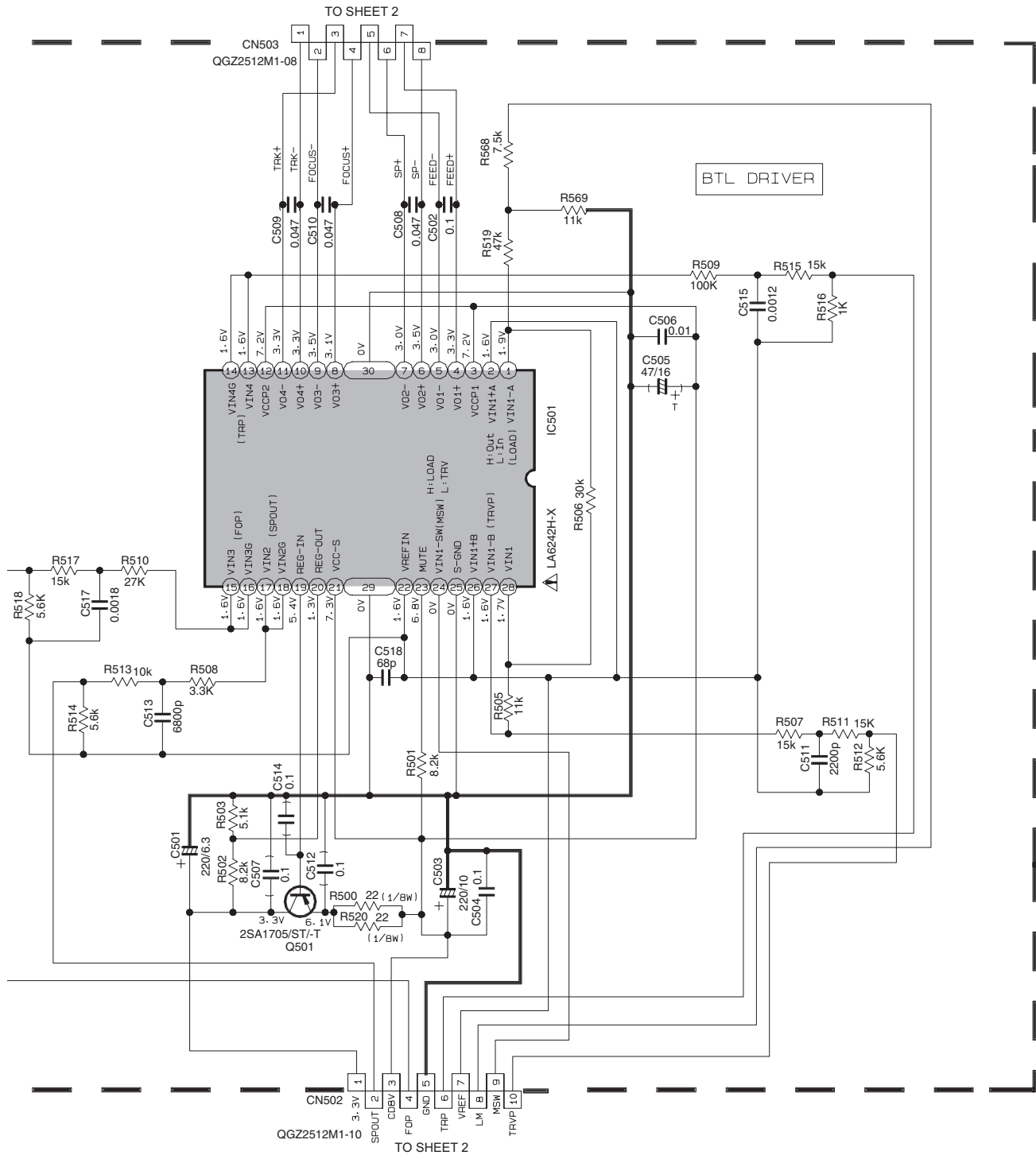
NOTES:

1. VOLTAGE ARE DC-MEASURED WITH A DIGITAL VOLTMETER WITHOUT INPUT SIGNAL CONDITION
--- CD MODE.

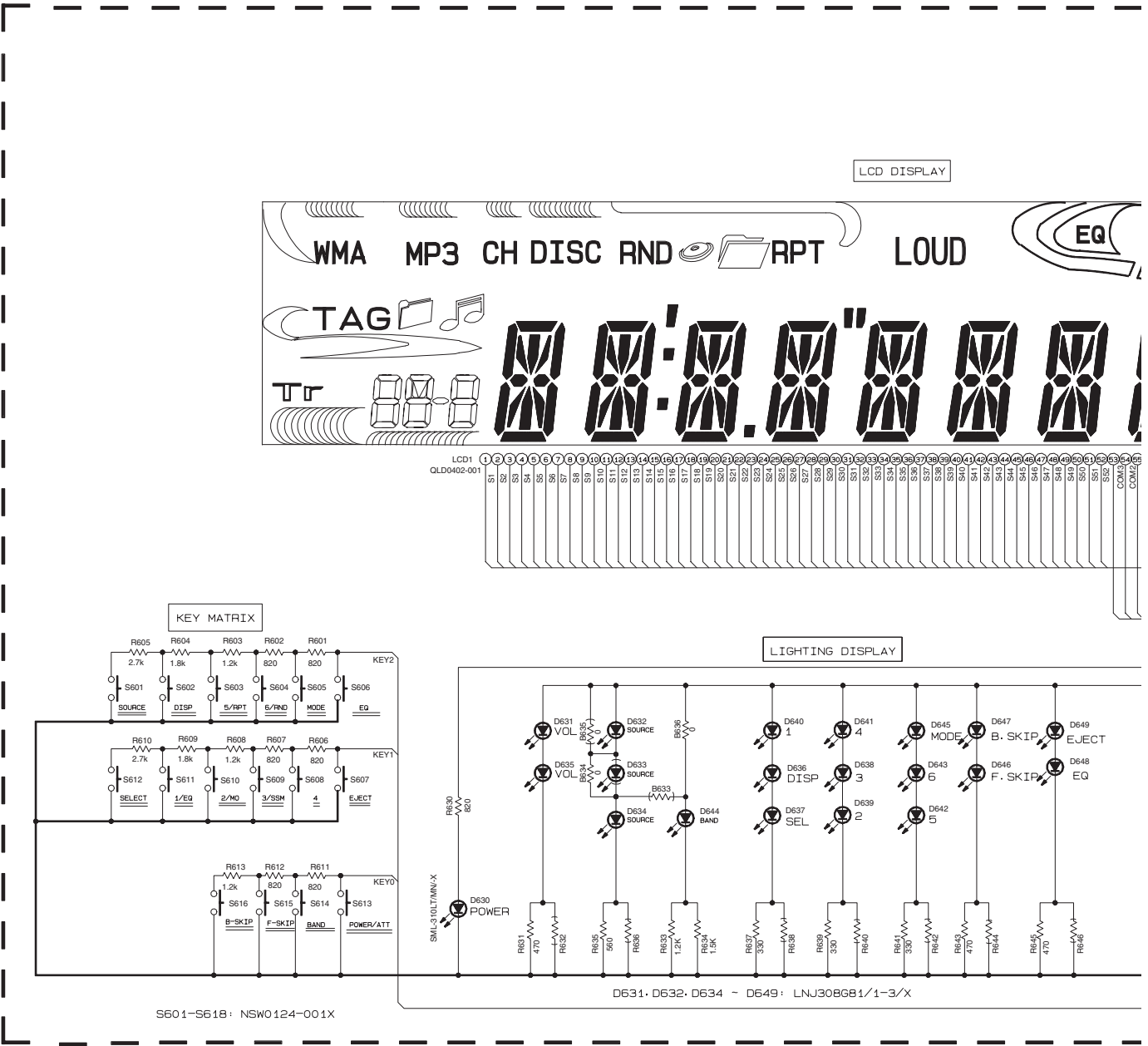
2. UNLESS OTHERWISE SPECIFIED.

ALL RESISTOR ARE 1/16W \pm 5% METAL GLAZE RESISTOR.
ALL CAPACITOR ARE 50V OR 25V CERAMIC CAPACITOR.
ALL RESISTANCE VALUES ARE IN OHM
ALL CAPACITANCE VALUES ARE IN μ F (p=pF).
ALL INDUCTANCE VALUES ARE IN μ H
ALL E. CAPACITORS ARE SHOWN IN THE FORM OF CAPACITANCE(μ F)/RATED VOLTAGE(V)

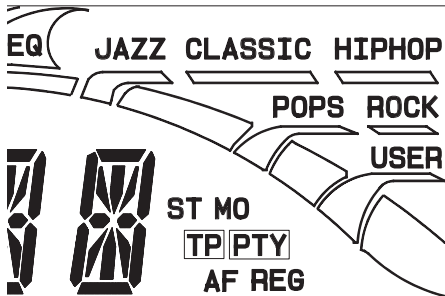
 Parts are safety assurance parts.
When replacing those parts make
sure to use the specified one.



■ LCD & Key control section



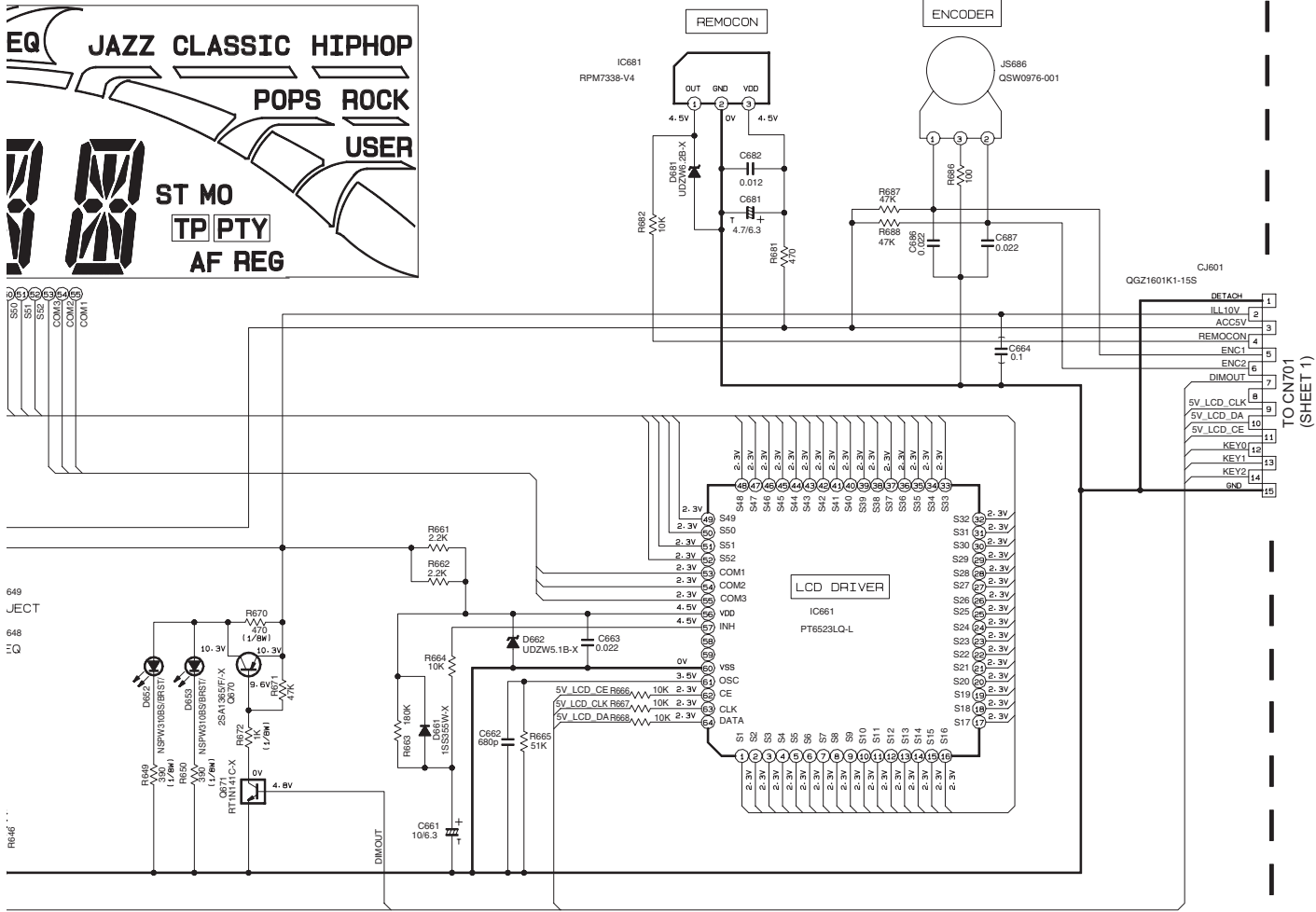
SW PWB : GEB10174A



S10
S11
S12
COM3
COM2
COM1

649 JECT
648 EQ

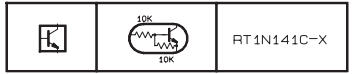
R646



CJ601
QGZ1601K1-15S

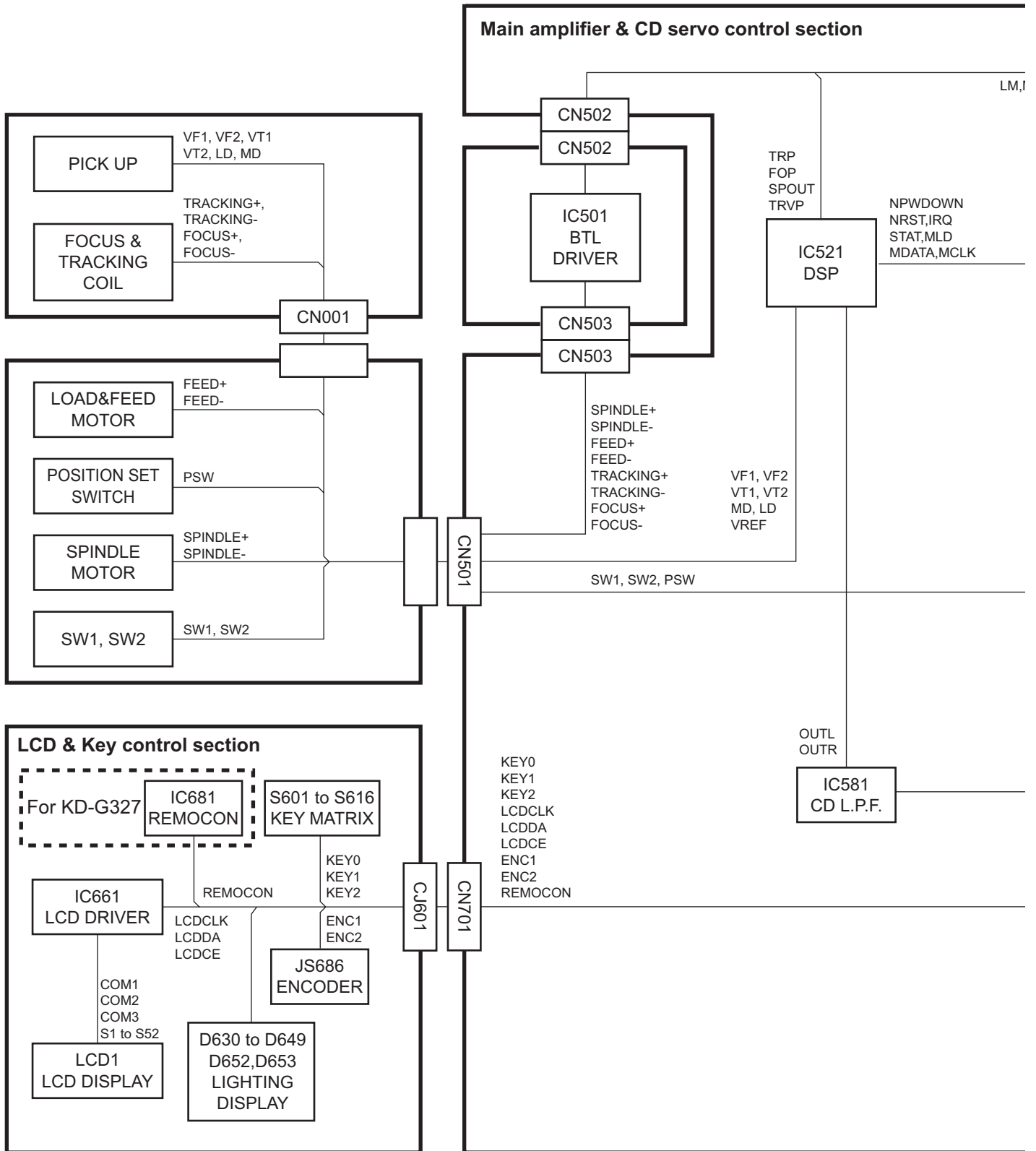
1	DETACH
2	ILL10V
3	ACCV5
4	REMOCON
5	ENC1
6	ENC2
7	DIMOUT
8	5V_LCD_CLK
9	5V_LCD_DA
10	5V_LCD_CE
11	KEY0
12	KEY1
13	KEY2
14	GND
15	

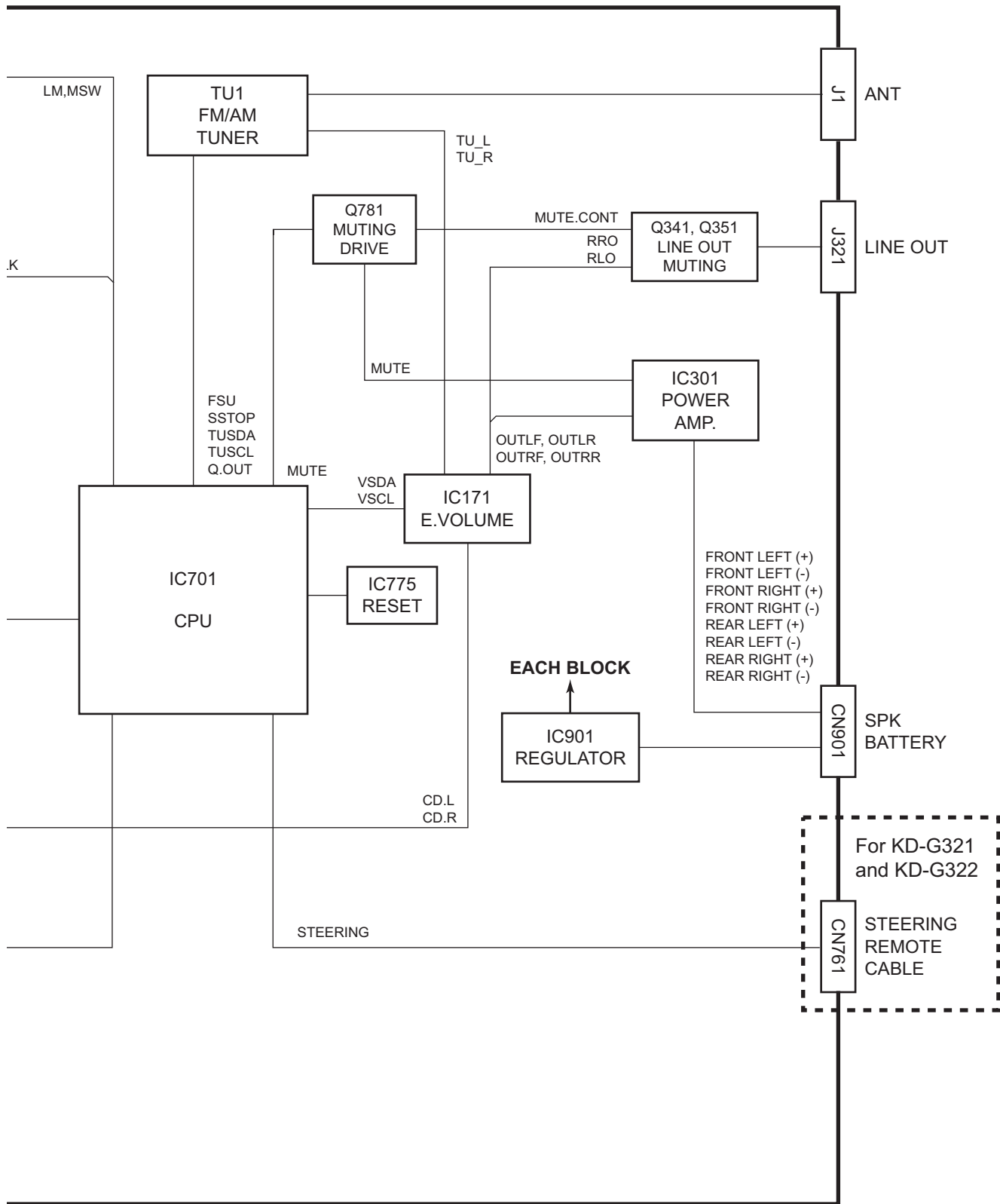
TO CNT01
(SHEET 1)



- NOTES**
- VOLTAGES ARE DC-MEASURED WITH A DIGITAL VOLT METER WITHOUT INPUT SIGNAL.
 - UNLESS OTHERWISE SPECIFIED.
ALL RESISTORS ARE 1/16W ±5% METAL GLAZE RESISTOR.
ALL CAPACITORS ARE 50V OR 25V CERAMIC CAPACITOR.
ALL RESISTANCE VALUES ARE IN OHM.
ALL CAPACITANCE VALUES ARE IN uF(P=0F)
ALL E-CAPACITORS ARE SHOWN IN THE FORM OF CAPACITANCE(uF)/RATED VOLTAGE(V)
T --- TANTALUM CAPACITOR.
 - COMPONENTS IN () INDICATE NOT USE.

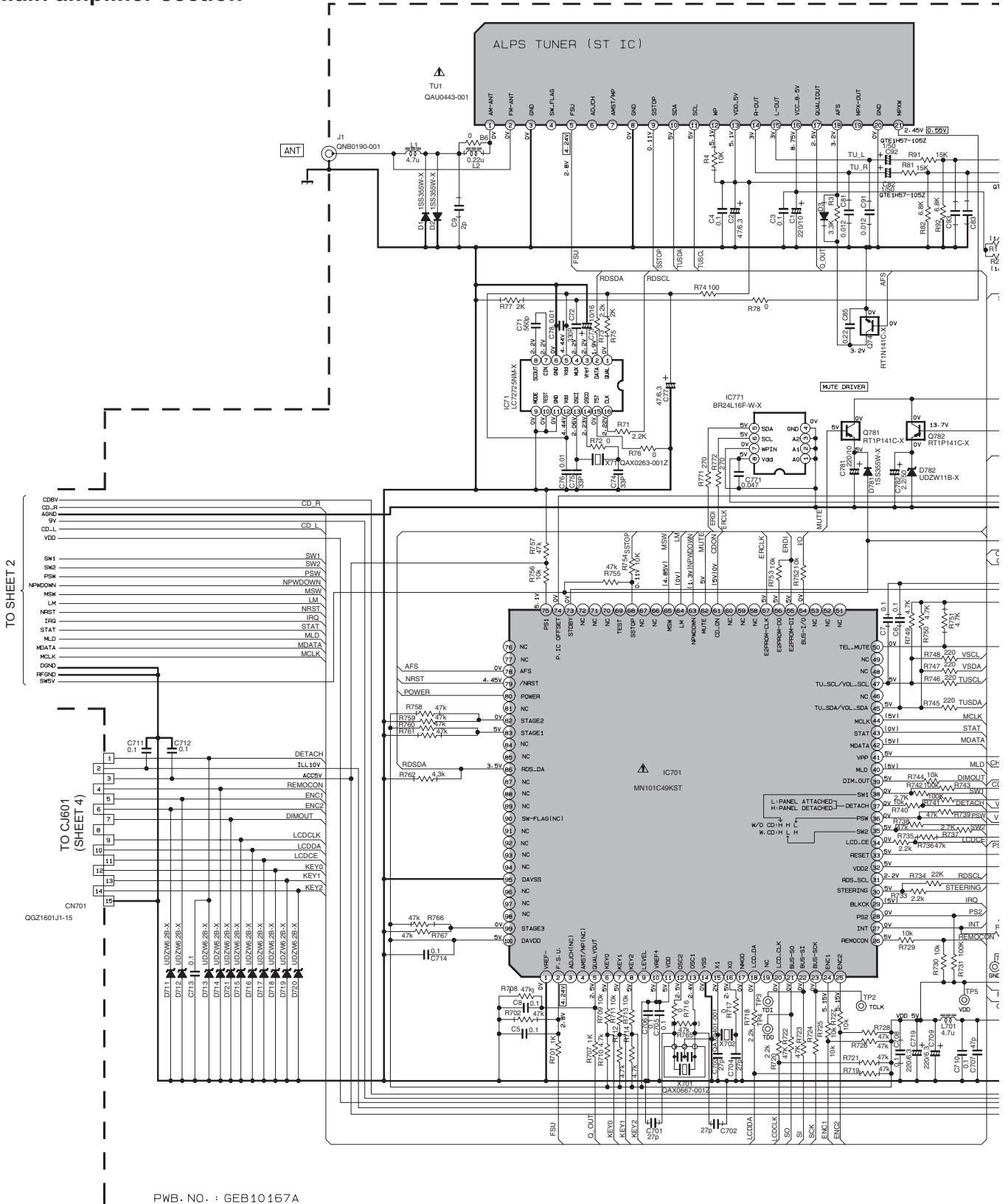
Block diagram (For KD-G321,KD-G322,KD-G327)





Standard schematic diagrams (For KD-G321, KD-G322)

■ Main amplifier section

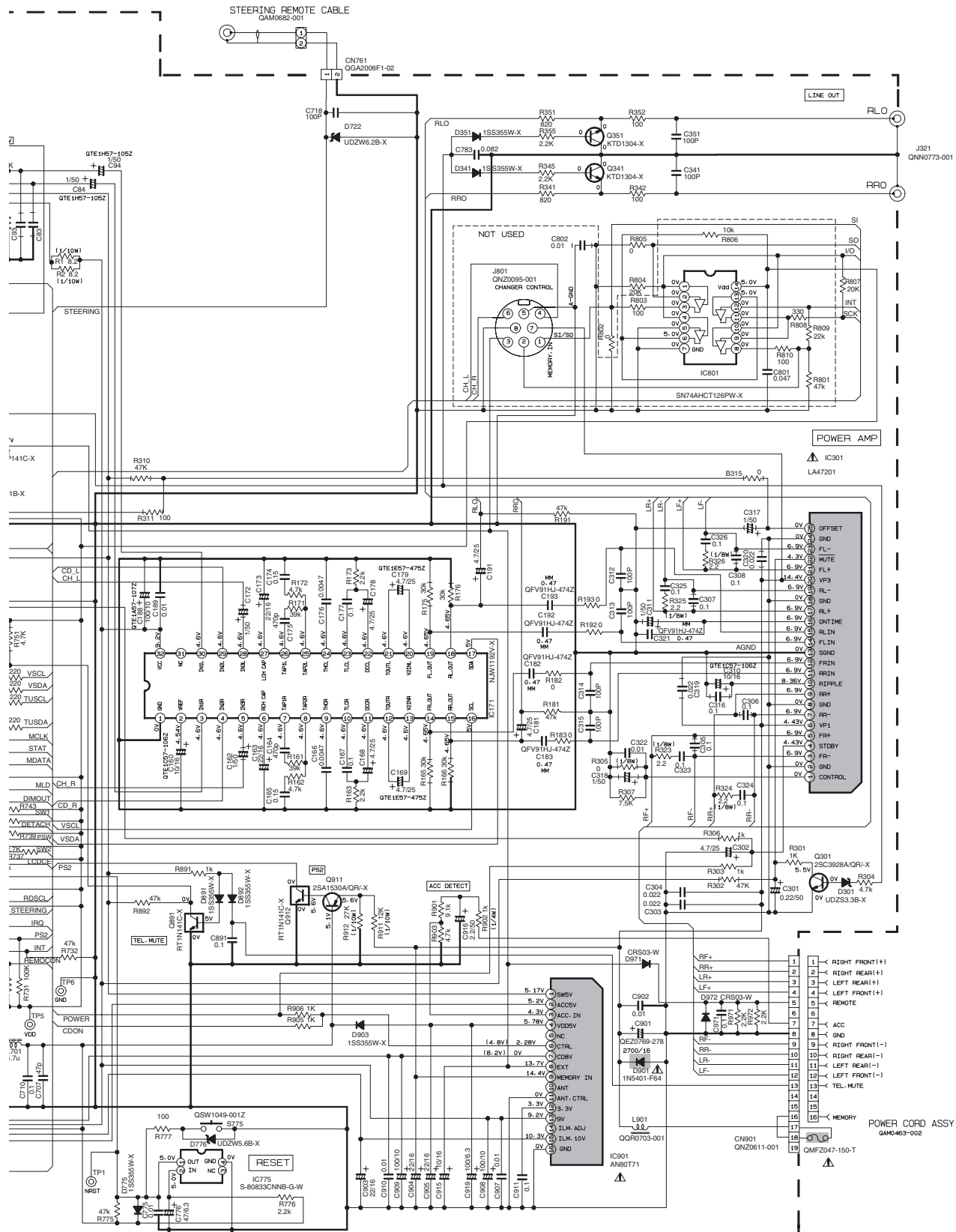


PWB. NO. : GEB10167A

	10K		RT1N141C-X
	10K		RT1P141C-X

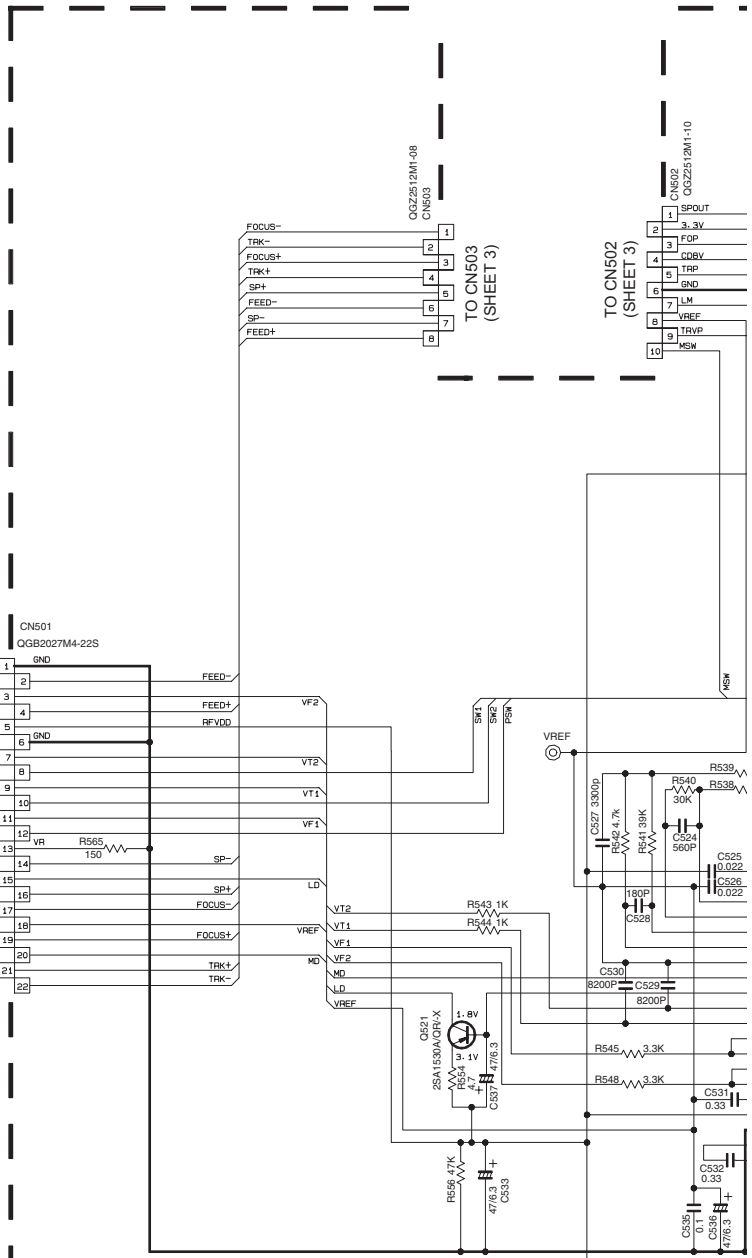
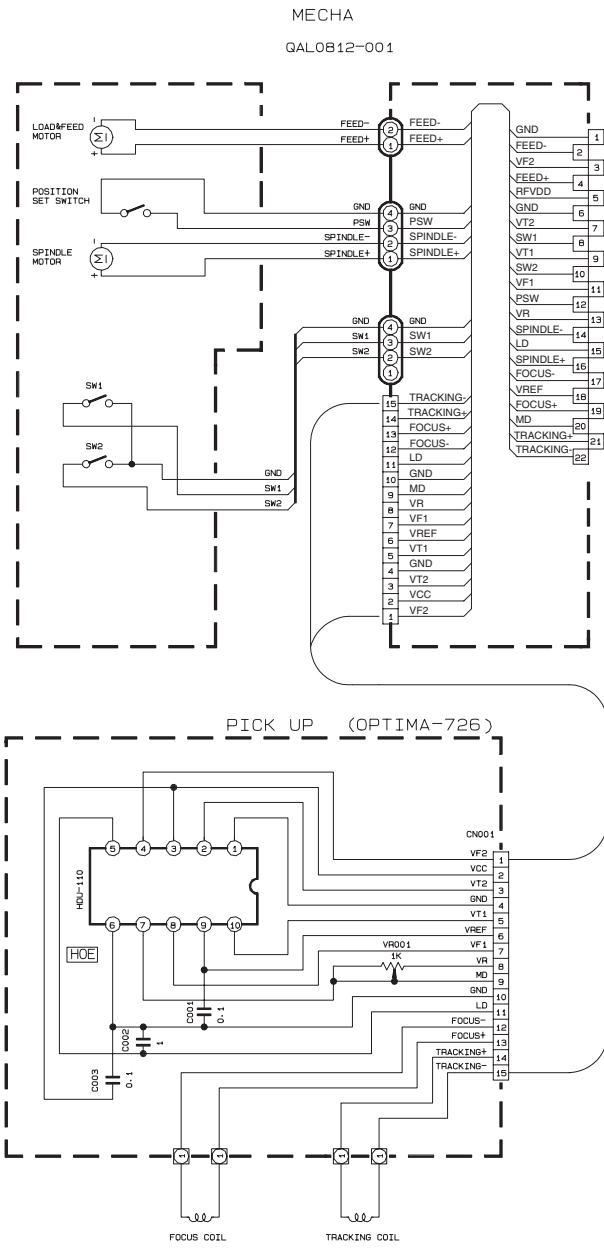
⚠ Parts are safety assurance parts.
When replacing those parts make sure to use the specified one.

NOTE

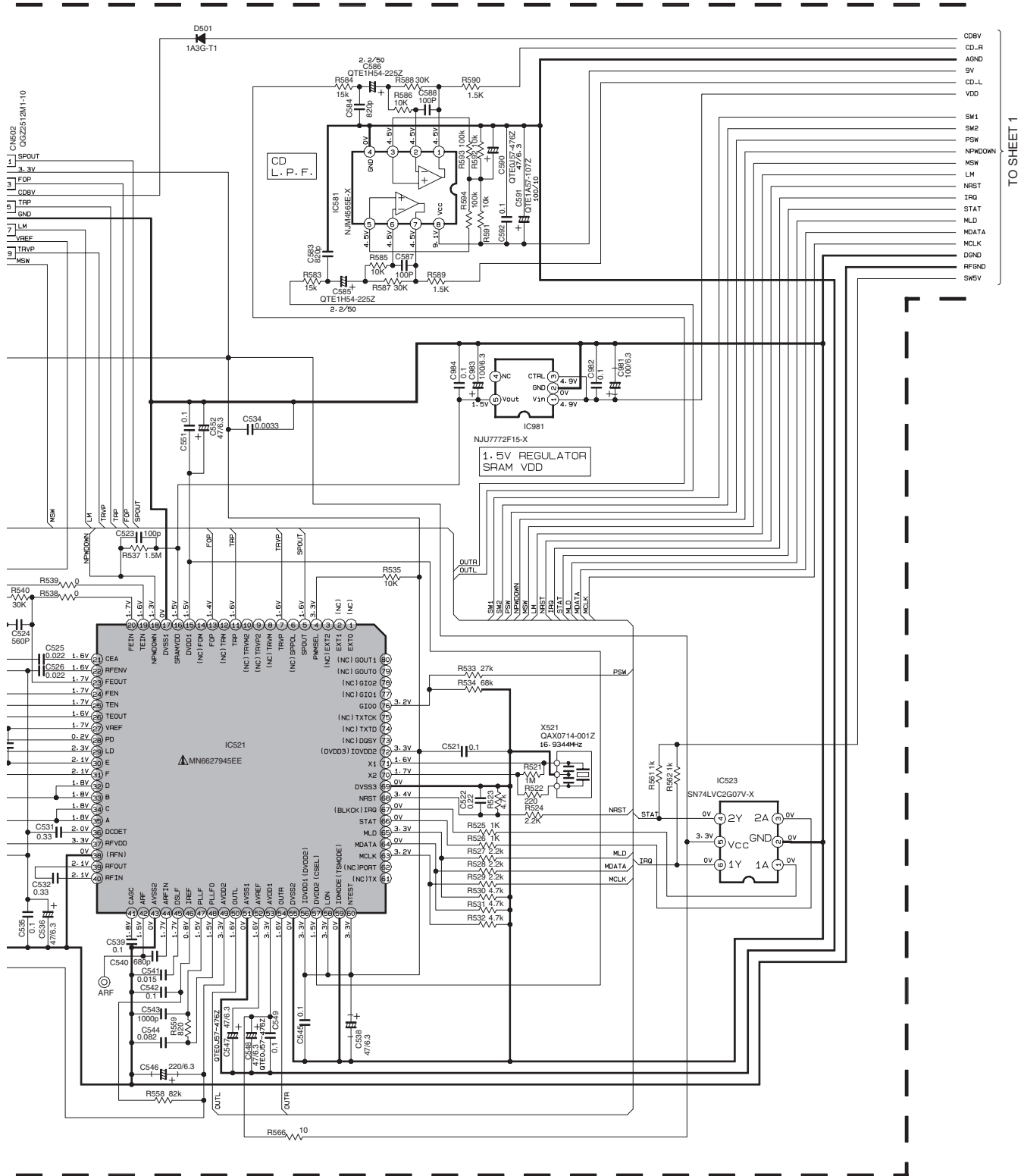


- NOTES**
1. VOLTAGES ARE DC-MEASURED WITH A DIGITAL VOLT METER WITHOUT INPUT SIGNAL CONDITION---FM MODE. () AM MODE. () CD MODE.
 2. UNLESS OTHERWISE SPECIFIED.
ALL RESISTORS ARE 1/16W ± 5% METAL GLAZE RESISTOR.
ALL CAPACITORS ARE 50V OR 25V CERAMIC CAPACITOR.
ALL RESISTANCE VALUES ARE IN OHM.
ALL CAPACITANCE VALUES ARE IN uF (P-pF)
ALL E-CAPACITORS ARE SHOWN IN THE FORM OF CAPACITANCE(uF)/RATED VOLTAGE(V)
TF --- T.F. CAPACITOR
 3. COMPONENTS IN () INDICATE NOT USE.

CD servo control section (1/2)



- NOTES:**
- VOLTAGE ARE DC-MEASURED WITH A DIGITAL VOLTMETER WITHOUT INPUT SIGNAL CONDITION
— CD MODE.
 - UNLESS OTHERWISE SPECIFIED.
ALL RESISTOR ARE 1/16W ±5%METAL GLAZE RESISTOR.
ALL CAPACITOR ARE 50V DR 25V CERAMIC CAPACITOR.
ALL RESISTANCE VALUES ARE IN OHM
ALL CAPACITANCE VALUES ARE IN UF(p=pF).
ALL INDUCTANCE VALUES ARE IN UH
ALL E. CAPACITORS ARE SHOWN IN THE FORM OF CAPACITANCE(UF)/RATE



TO SHEET 1

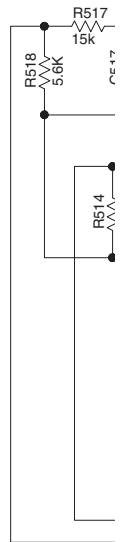
⚠ Parts are safety assurance parts.
When replacing those parts make
sure to use the specified one.

ITANCE (uF)/RATED VOLTAGE (V)

■ CD servo control section (2/2)

LA

FUNCTION PWB : GEB10180A



NOTES:

1. VOLTAGE ARE DC-MEASURED WITH A DIGITAL VOLTMETER WITHOUT INPUT SIGNAL CONDITION
--- CD MODE.


2. UNLESS OTHERWISE SPECIFIED.

ALL RESISTOR ARE 1/16W ±5%METAL GLAZE RESISTOR.
ALL CAPACITOR ARE 50V OR 25V CERAMIC CAPACITOR.
ALL RESISTANCE VALUES ARE IN OHM

ALL CAPACITANCE VALUES ARE IN μF (p=pF).

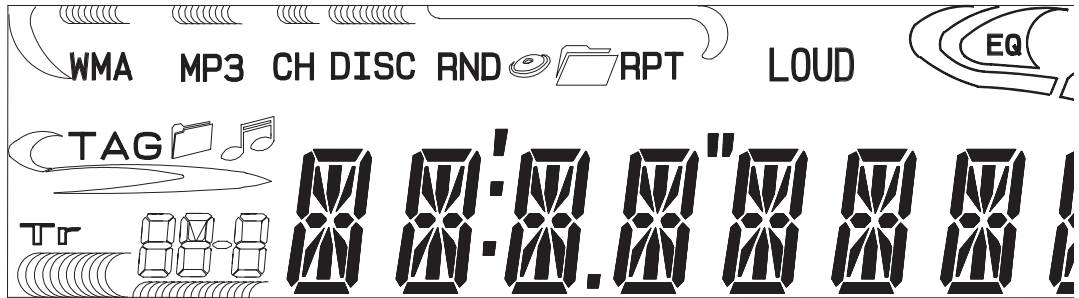
ALL INDUCTANCE VALUES ARE IN μH

ALL E. CAPACITORS ARE SHOWN IN THE FORM OF CAPACITANCE(μF)/RATED VOLTAGE(V)

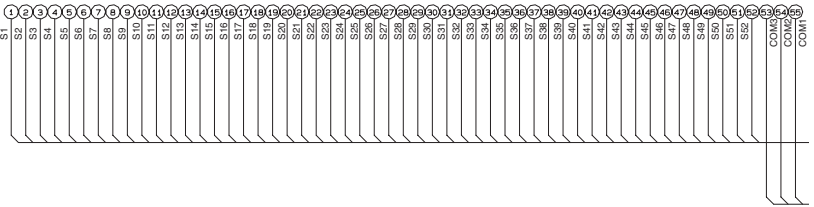
 Parts are safety assurance parts.
When replacing those parts make
sure to use the specified one.

LCD & Key control section

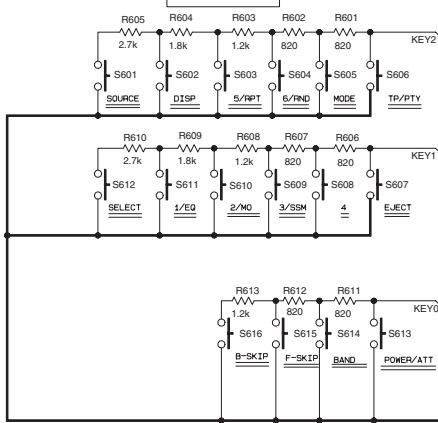
LCD DISPLAY



LCD1 QLD0419-001

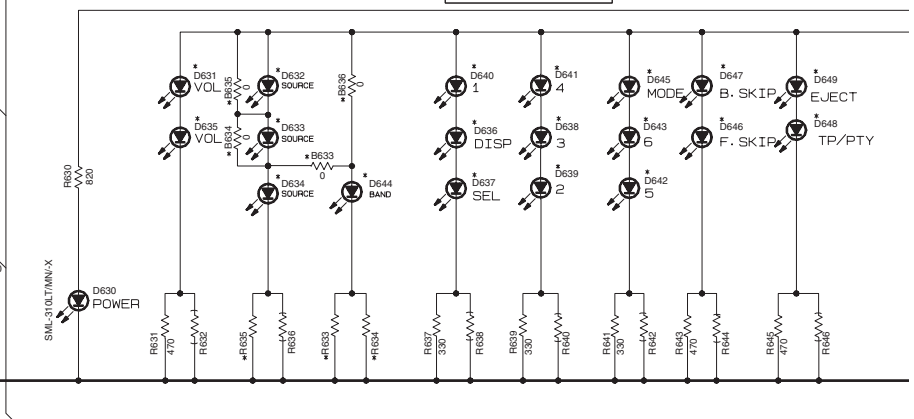


KEY MATRIX

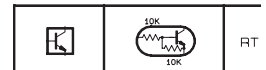


S601-S616: NSW0283-001X

LIGHTING DISPLAY



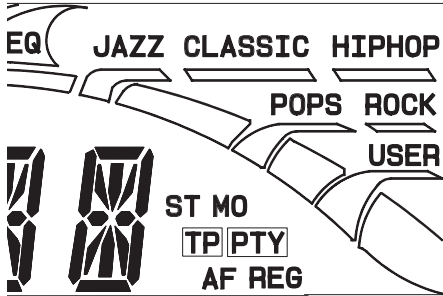
REF. NAME	KD-G321E	KD-G322E
D632	LNJ308G81/1-3/X	NO USE
D633	NO USE	SML-310VT/JK/-X
D634	LNJ308G81/1-3/X	NO USE
D631, D635 D636 ~ D649	LNJ308G81/1-3/X	SML-310VT/JK/-X
B633- B635	NO USE	USE
B634, B636	USE	NO USE
R633	1.2k	470
R634	1.5k	NO USE
R635	560	NO USE



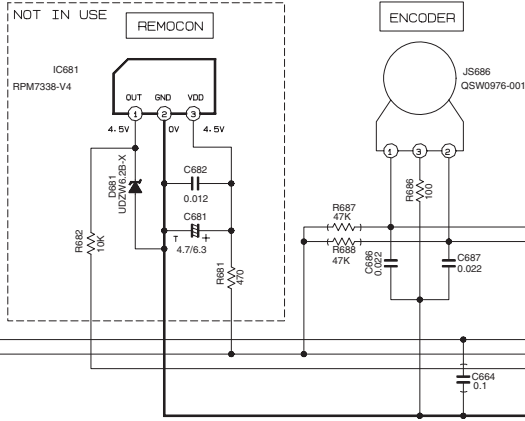
NOTES

- VOLTAGES ARE DC-MEASURED WITH A DIGITAL
- UNLESS OTHERWISE SPECIFIED.
ALL RESISTORS ARE 1/16W ±5% METAL GLAZE
ALL CAPACITORS ARE 50V OR 25V CERAMIC C
ALL RESISTANCE VALUES ARE IN OHM.
ALL CAPACITANCE VALUES ARE IN uF(P=pF)
ALL E-CAPACITORS ARE SHOWN IN THE FORM T --- TANTALUM CAPACITOR.
- COMPONENTS IN () INDICATE NOT USE.

SW PWB : GEB10174A

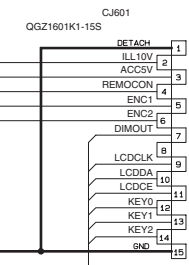
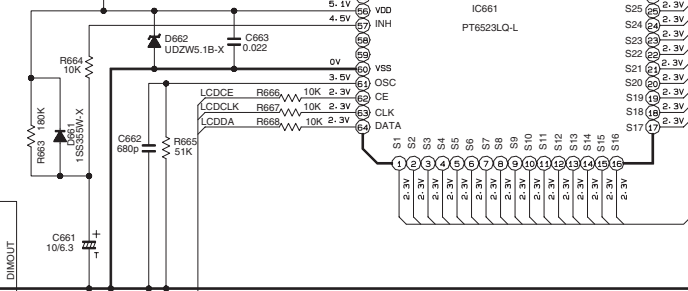
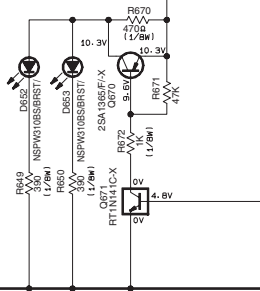


SST
SLS
COMA
COMB
COMC
COMD



549 JECT
548 TP/PTY

R646



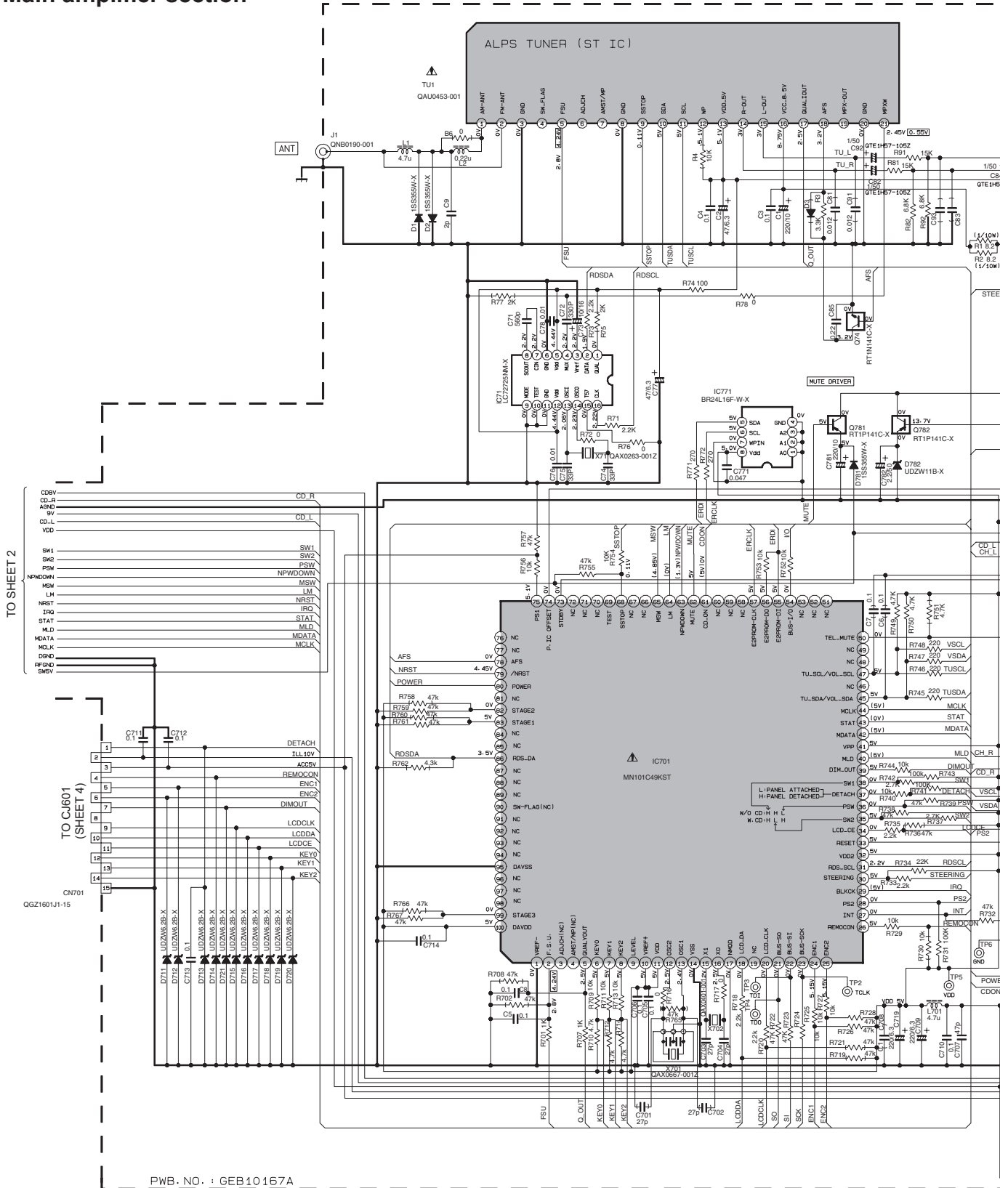
TO CNT01 (SHEET 1)



† A DIGITAL VOLT METER WITHOUT INPUT SIGNAL.
 ∇ METAL GLAZE RESISTOR.
 √ CERAMIC CAPACITOR.
 OHM.
 √ uF (P=pF)
 √ THE FORM OF CAPACITANCE(uF)/RATED VOLTAGE (V)
 NOT USE.

Standard schematic diagrams (For KD-G327)

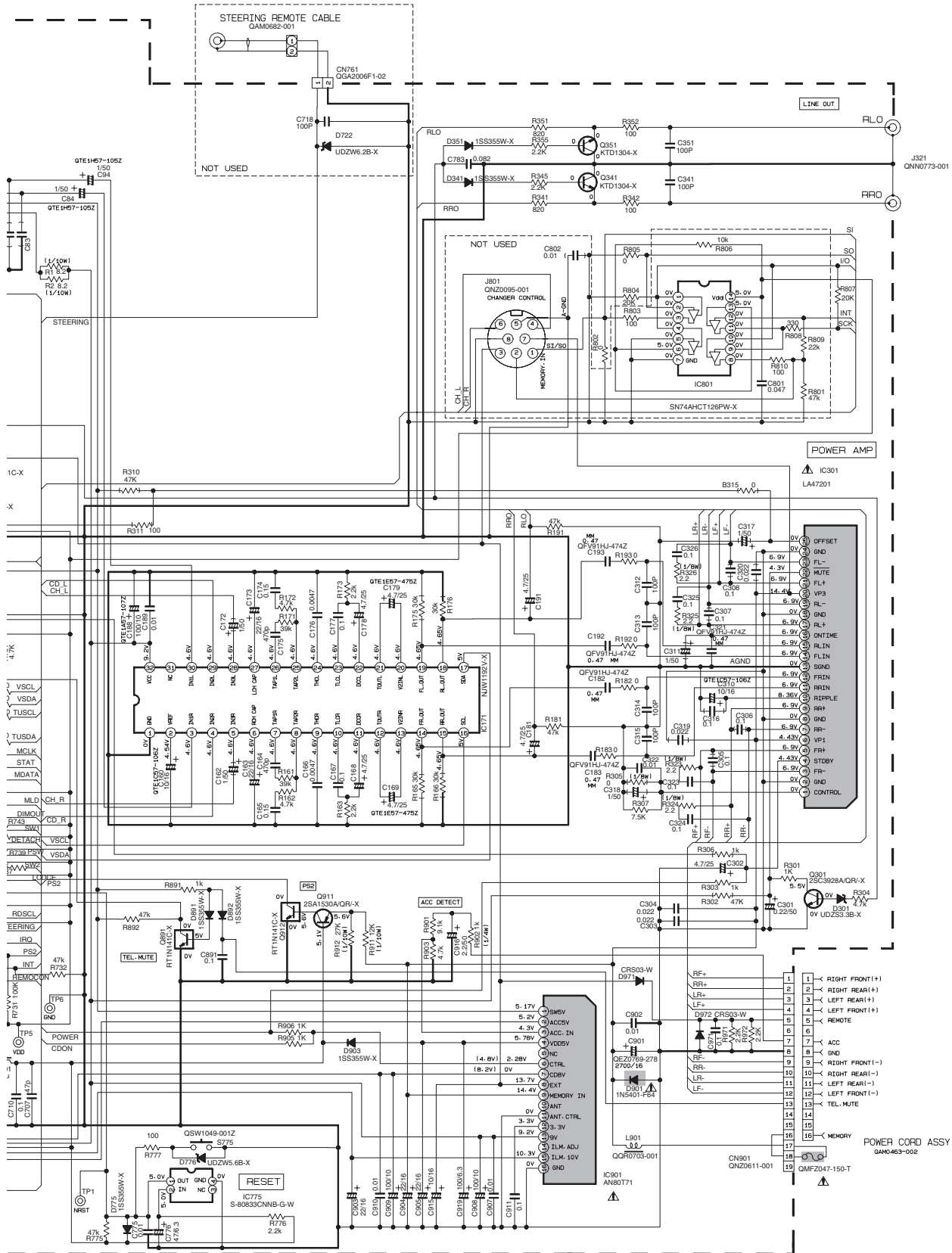
■ Main amplifier section



		RT1N141C-X
		RT1P141C-X

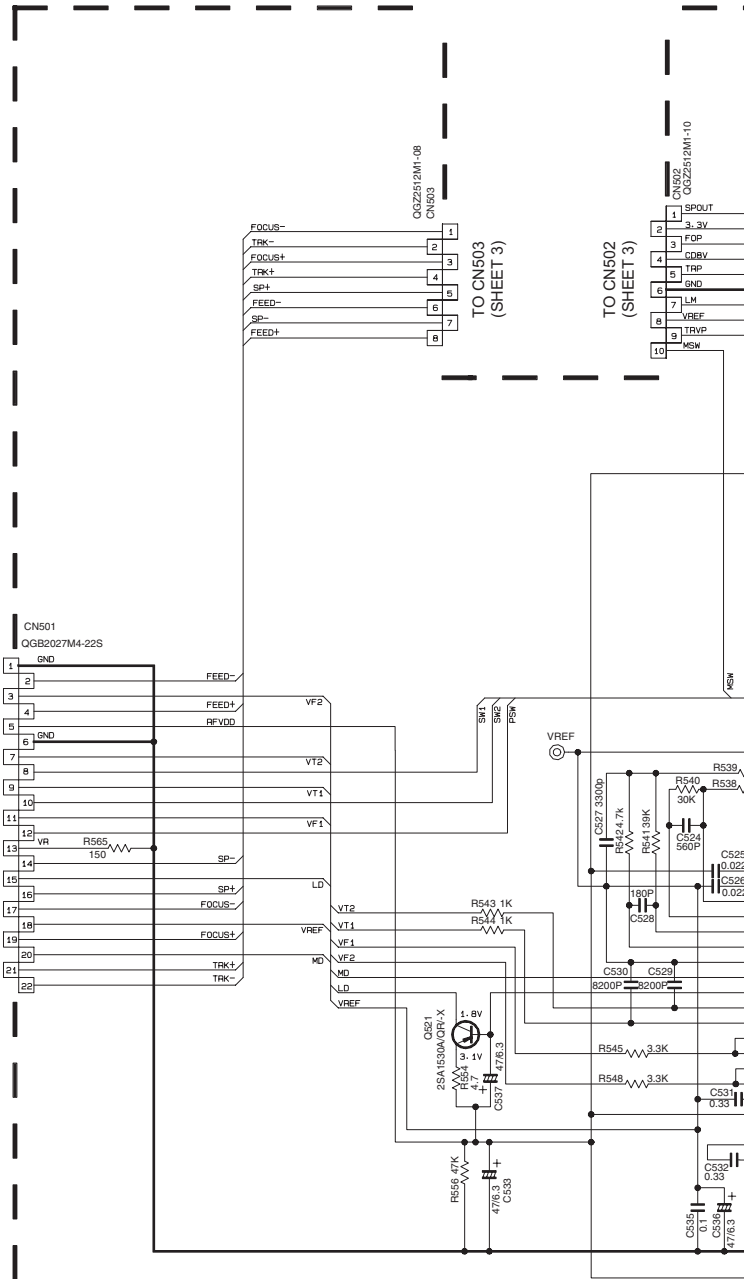
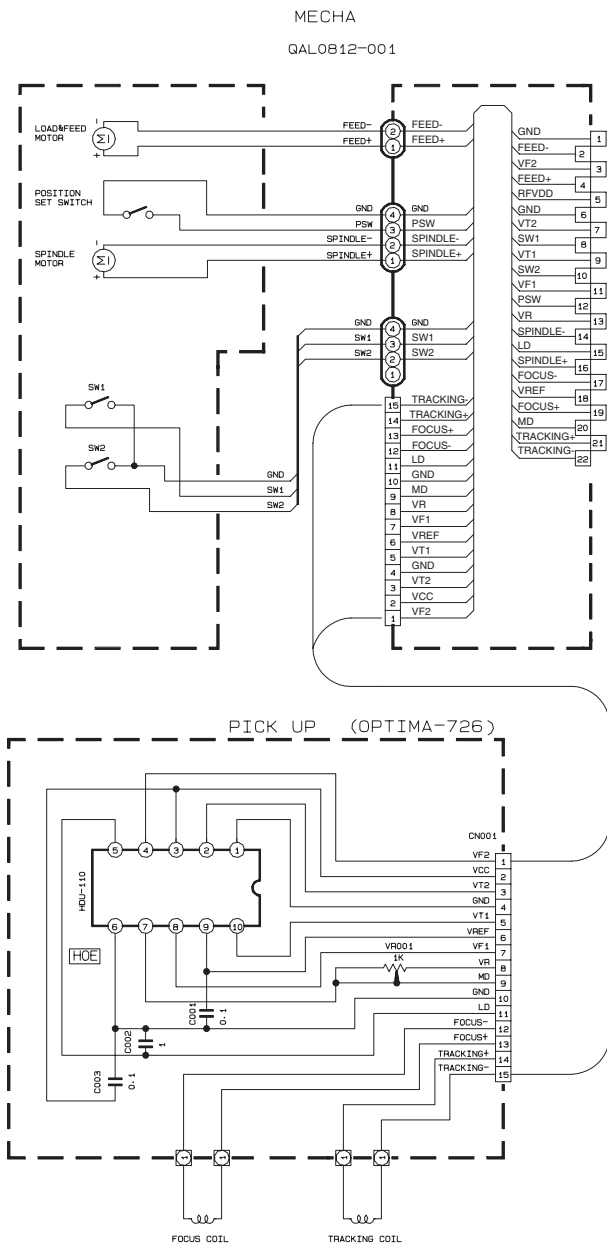
▲ Parts are safety assurance parts.
When replacing those parts make sure to use the specified one.

NOTE

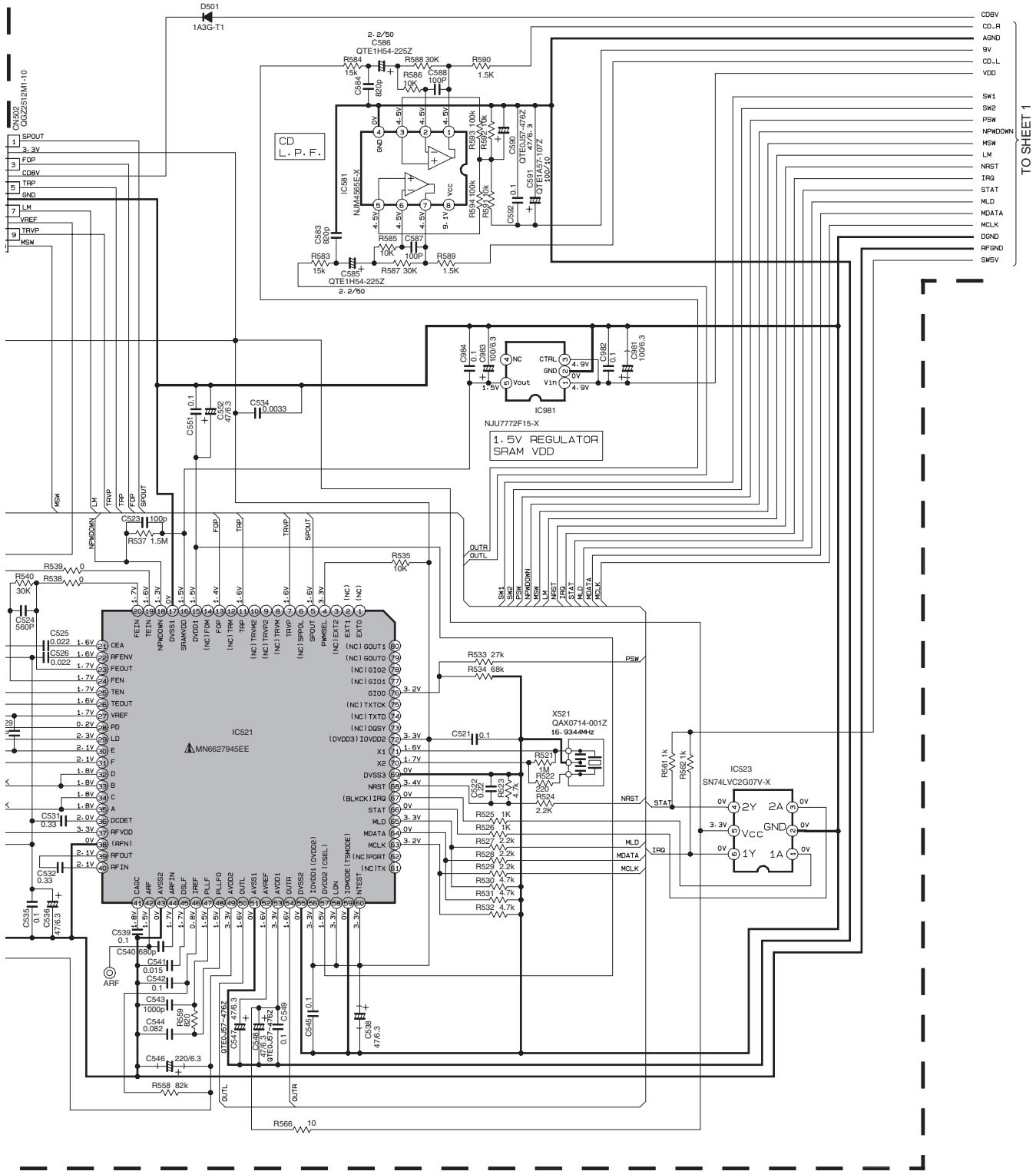



- NOTES
1. VOLTAGES ARE DC-MEASURED WITH A DIGITAL VOLT METER WITHOUT INPUT SIGNAL CONDITION---FM MODE. □ AM MODE. () CD MODE.
 2. UNLESS OTHERWISE SPECIFIED.
ALL RESISTORS ARE 1/16W ± 5% METAL GLAZE RESISTOR.
ALL CAPACITORS ARE 50V OR 25V CERAMIC CAPACITOR.
ALL RESISTANCE VALUES ARE IN OHM.
ALL CAPACITANCE VALUES ARE IN uF(P=pF)
ALL E. CAPACITORS ARE SHOWN IN THE FORM OF CAPACITANCE(uF)/RATED VOLTAGE(V)
TF --- T.F. CAPACITOR
 3. COMPONENTS IN () INDICATE NOT USE.

CD servo control section (1/2)



- NOTES:
- VOLTAGE ARE DC-MEASURED WITH A DIGITAL VOLTMETER WITHOUT INPUT SIGNAL CONDITION
--- CD MODE.
 - UNLESS OTHERWISE SPECIFIED.
ALL RESISTOR ARE 1/16W ± 5% METAL GLAZE RESISTOR.
ALL CAPACITOR ARE 50V OR 25V CERAMIC CAPACITOR.
ALL RESISTANCE VALUES ARE IN OHM
ALL CAPACITANCE VALUES ARE IN uF(p=pF).
ALL INDUCTANCE VALUES ARE IN uH
ALL E. CAPACITORS ARE SHOWN IN THE FORM OF CAPACITANCE(uF)/RA

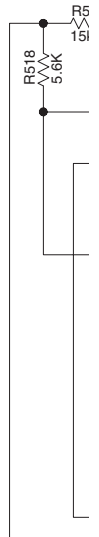



Parts are safety assurance parts.
 When replacing those parts make
 sure to use the specified one.

CITANCE(μF)/RATED VOLTAGE(V)

■ CD servo control section (2/2)

FUNCTION PWB : GEB10180A




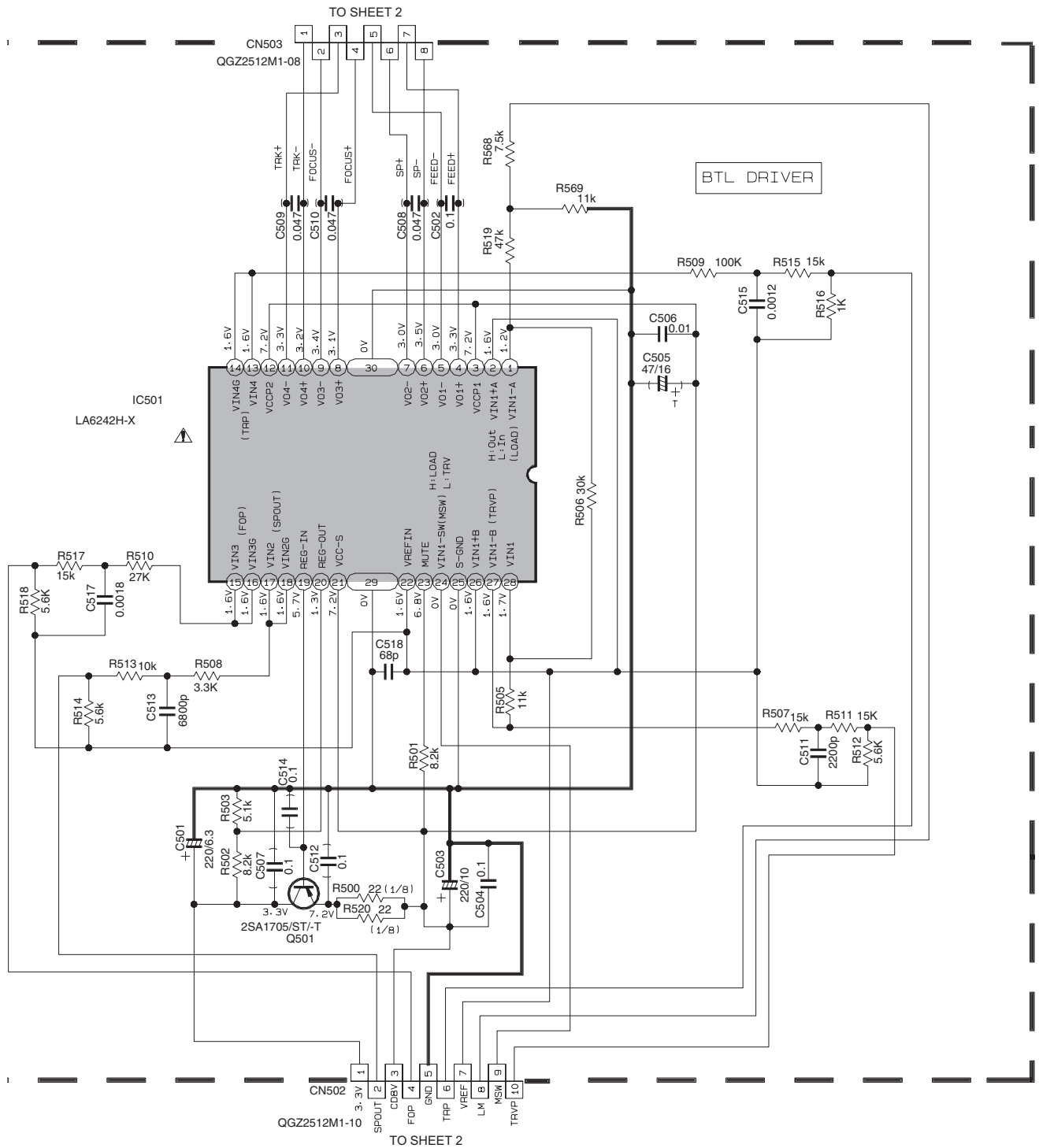
NOTES:

1. VOLTAGE ARE DC-MEASURED WITH A DIGITAL VOLT-METER WITHOUT INPUT SIGNAL CONDITION --- CD MODE.

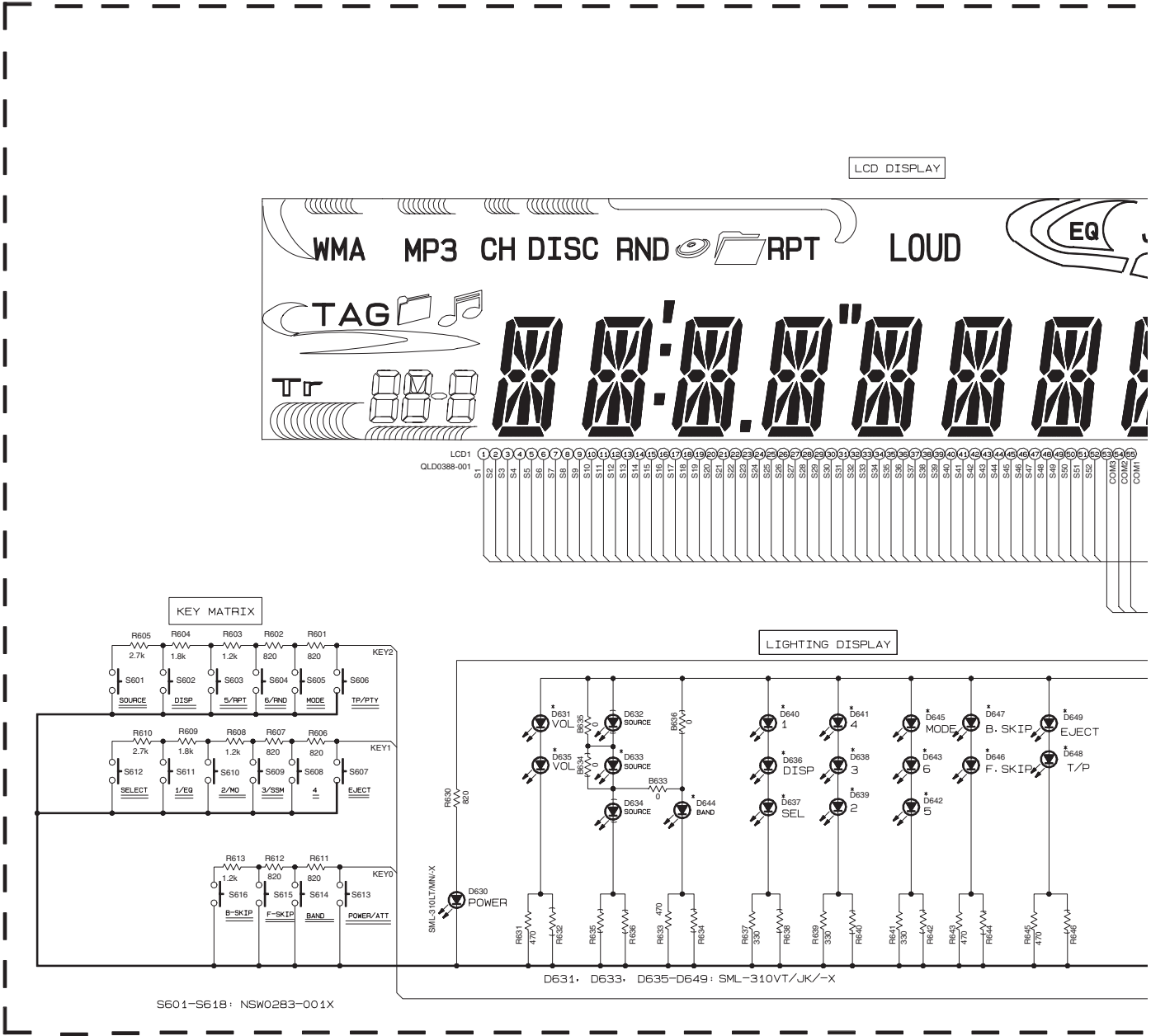
2. UNLESS OTHERWISE SPECIFIED.

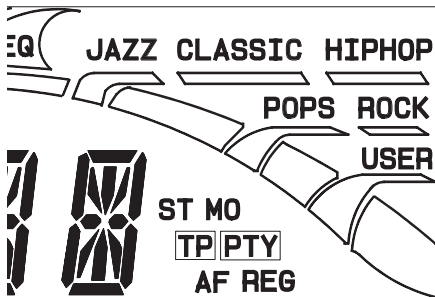
ALL RESISTOR ARE 1/16W ±5%METAL GLAZE RESISTOR.
ALL CAPACITOR ARE 50V OR 25V CERAMIC CAPACITOR.
ALL RESISTANCE VALUES ARE IN OHM
ALL CAPACITANCE VALUES ARE IN uF(p=pF).
ALL INDUCTANCE VALUES ARE IN uH
ALL E. CAPACITORS ARE SHOWN IN THE FORM OF CAPACITANCE(uF)/RATED VOLTAGE(V)

 Parts are safety assurance parts.
When replacing those parts make
sure to use the specified one.



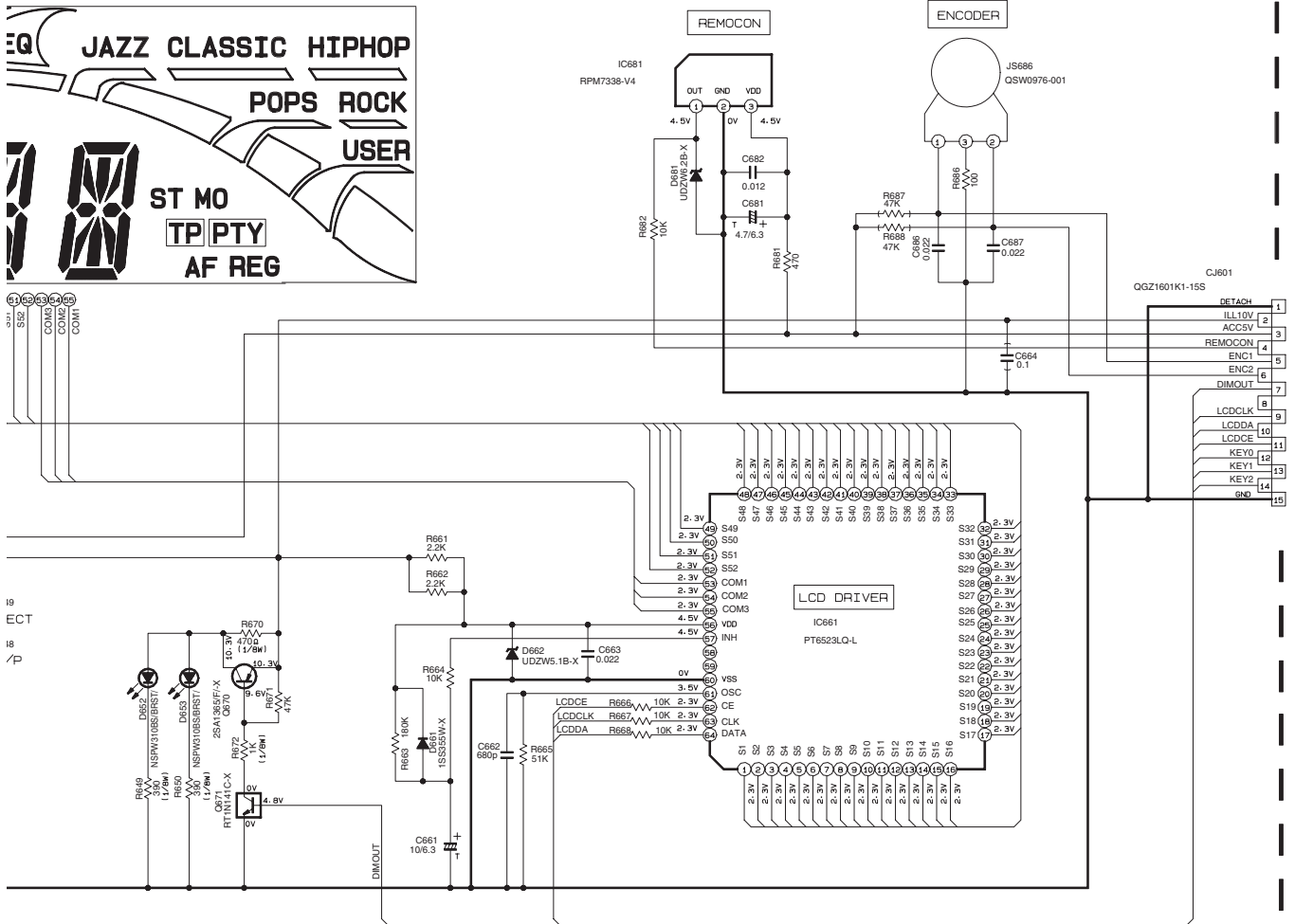
■ LCD & Key control section



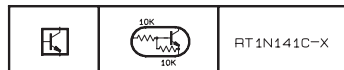


COM1
COM2
COM3
COM4

ECT
/P



TO CNT01
(SHEET 1)

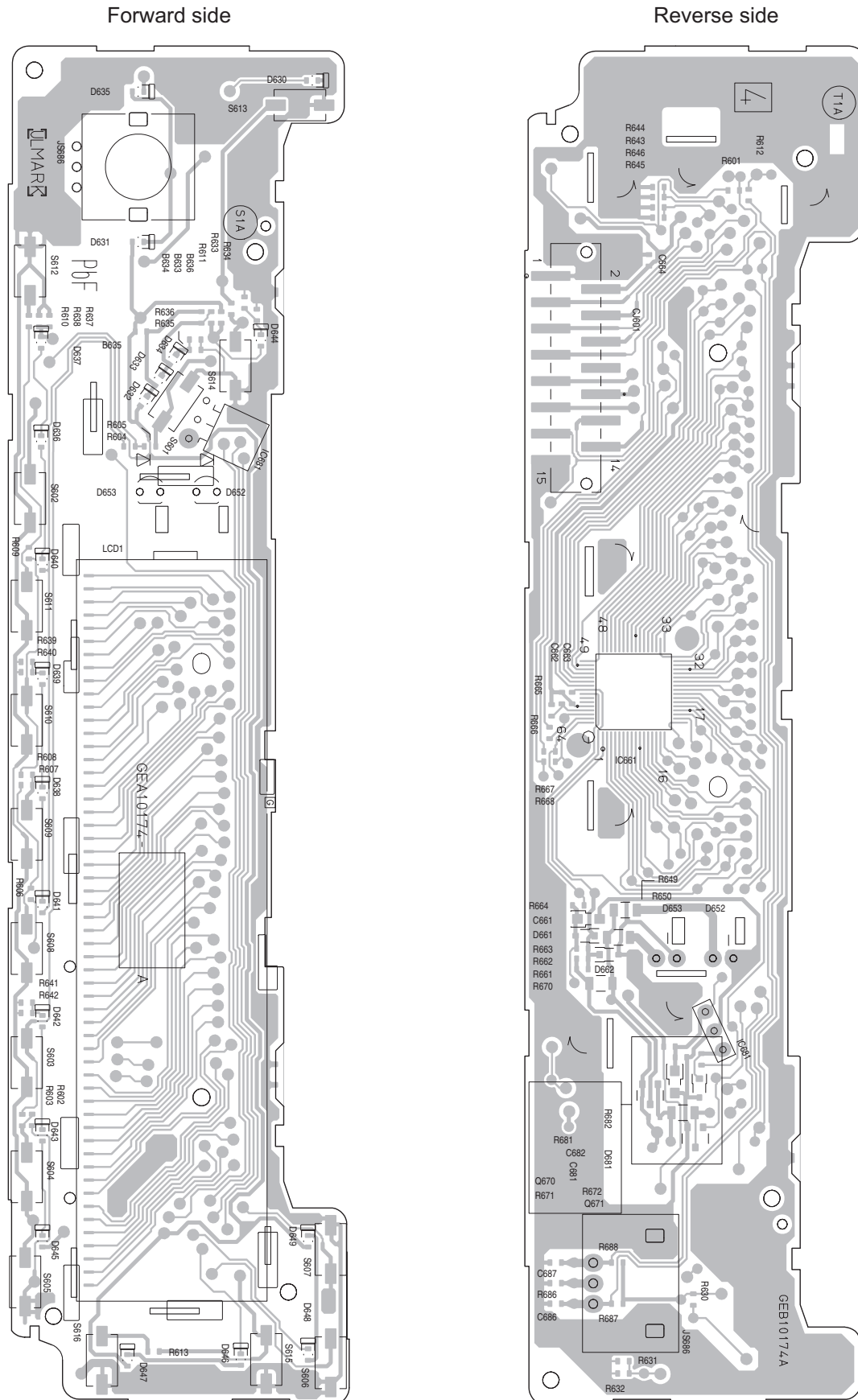


NOTES

1. VOLTAGES ARE DC-MEASURED WITH A DIGITAL VOLT METER WITHOUT INPUT SIGNAL.
2. UNLESS OTHERWISE SPECIFIED.
ALL RESISTORS ARE 1/16W ±5% METAL GLAZE RESISTOR.
ALL CAPACITORS ARE 50V OR 25V CERAMIC CAPACITOR.
ALL RESISTANCE VALUES ARE IN OHM.
ALL CAPACITANCE VALUES ARE IN uF(P=pF)
ALL E-CAPACITORS ARE SHOWN IN THE FORM OF CAPACITANCE(uF)/RATED VOLTAGE(V)
T --- TANTALUM CAPACITOR.
3. COMPONENTS IN () INDICATE NOT USE.

Switch board

Lead free solder used in the board (material : Sn-Ag-Cu, melting point : 219 Centigrade)



< MEMO >

JVC

Victor Company of Japan, Limited

Mobile Entertainment Business Group Mobile Entertainment Category 10-1,1chome,Ohwatari-machi,Maebashi-city,371-8543,Japan

(No.MA236SCH)



Printed in Japan
VPT

For Download: <http://www.jvc.com>