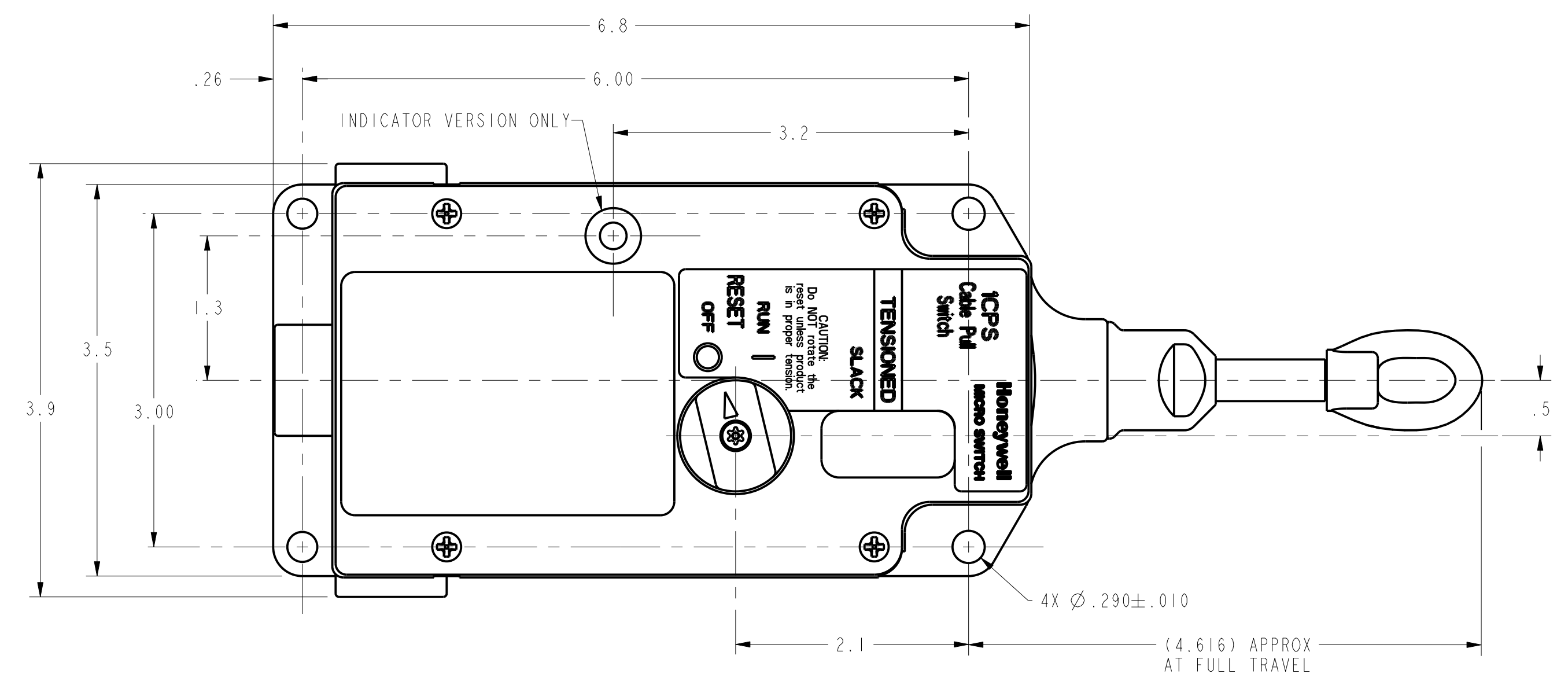


REV	DOCUMENT	CHANGED BY	CHECK
A	0000122	TSM I1APRO3	SAV

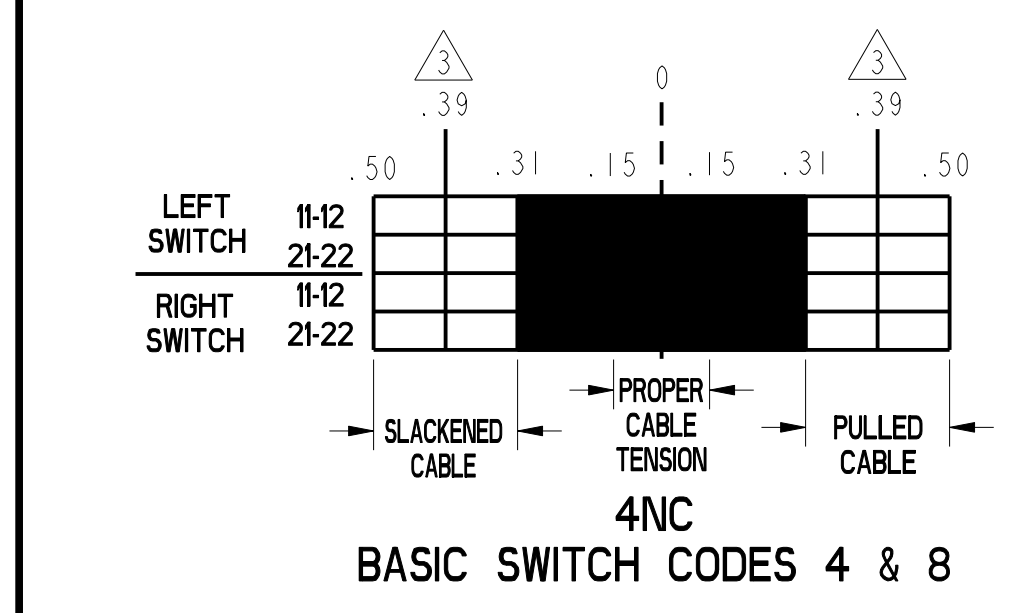
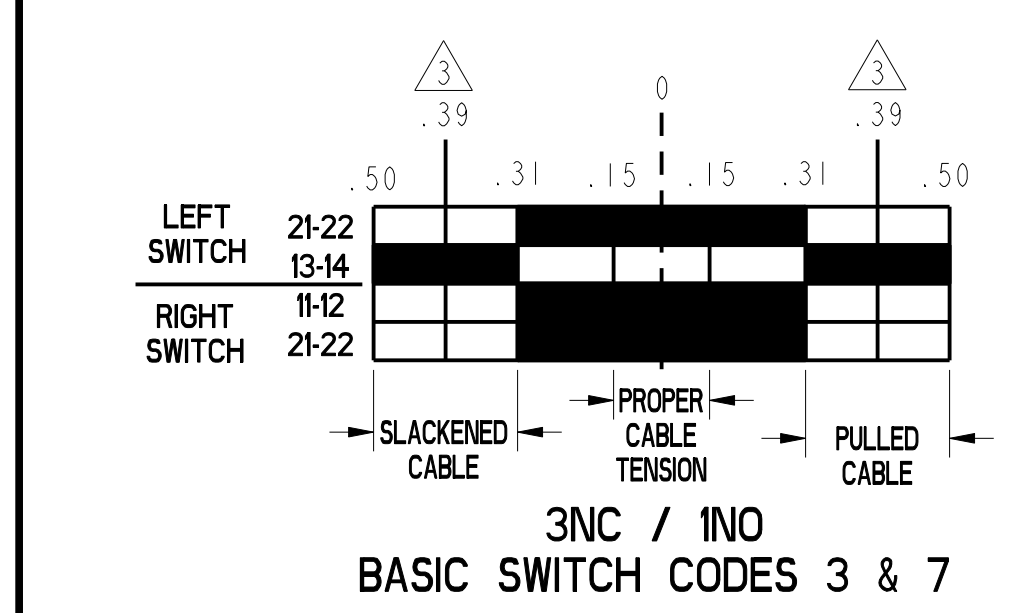
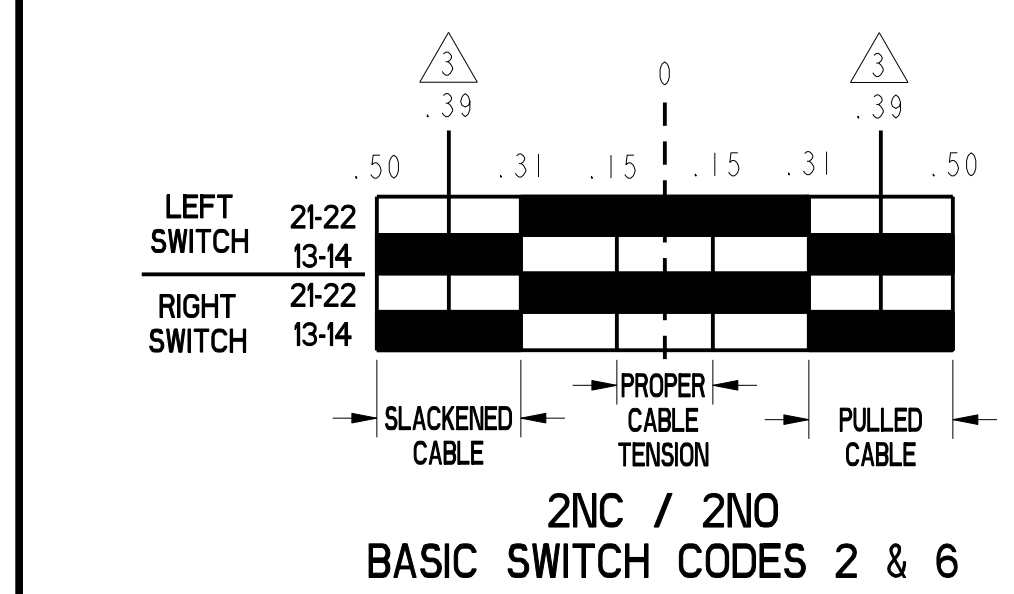
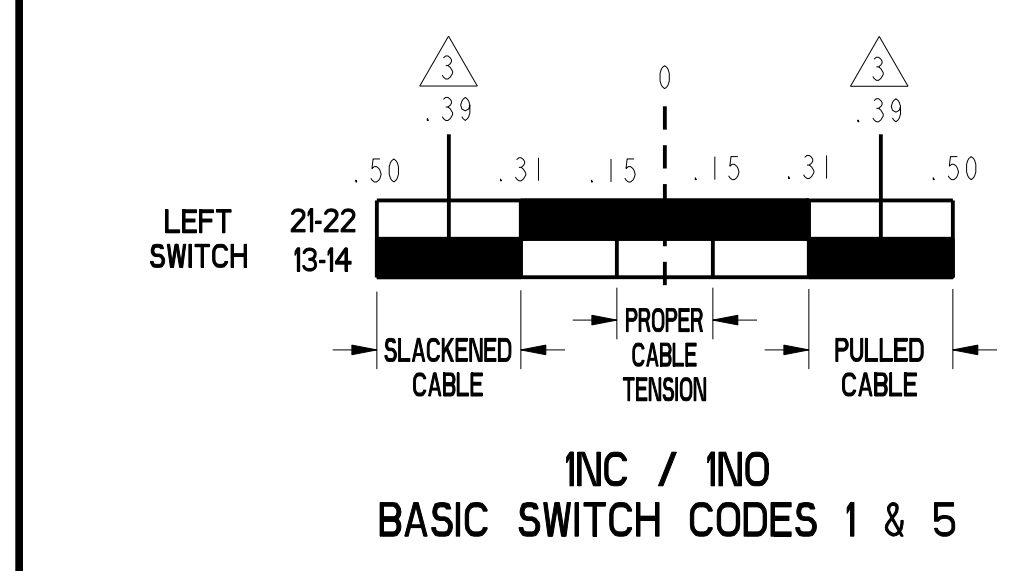
1CPS



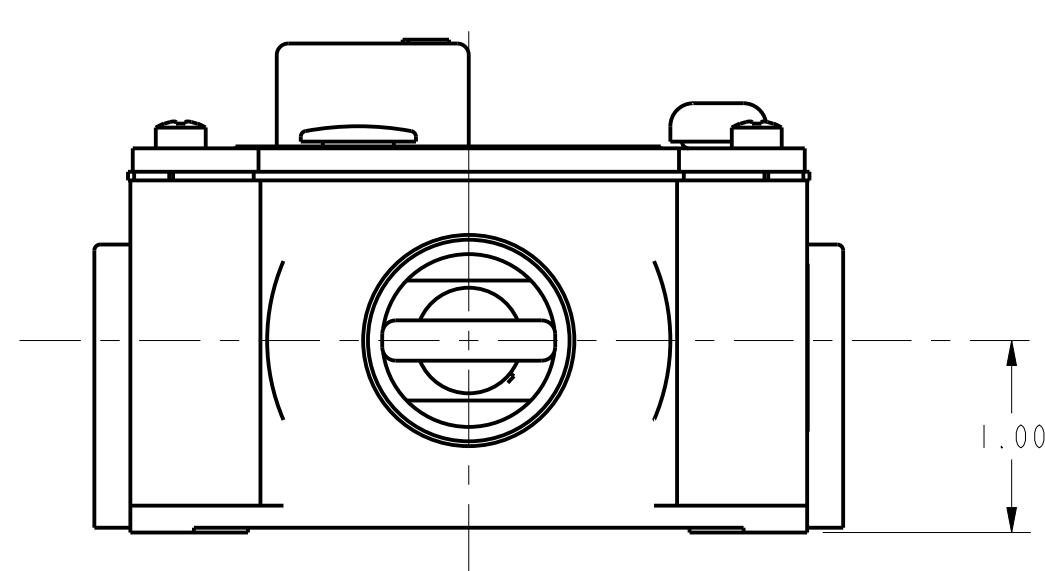
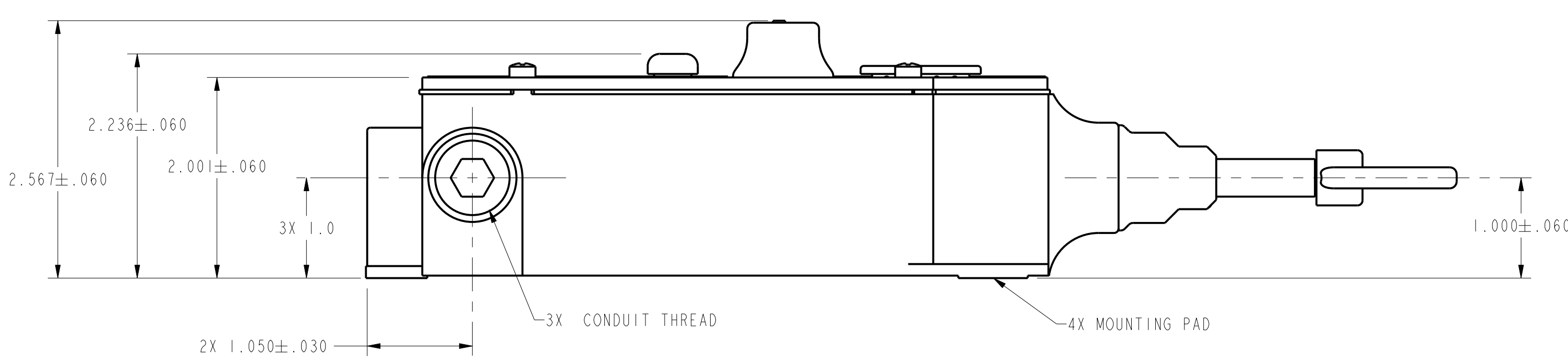
BODY CODE	
A	1/2" NPT
B	PG13,5
C	20mm
D	PF 1/2

INDICATOR-PILOT LIGHT CODE	
A	24VDC LED
B	120VAC LED

BASIC SWITCH CODE	
1	1NO - 1NC DIRECT ACTING (SWITCH 1: 1NO - 1NC) (SWITCH 2: NONE)
2	2NO - 2NC DIRECT ACTING (SWITCH 1: 1NO - 1NC) (SWITCH 2: 1NO - 1NC)
3	1NO - 3NC DIRECT ACTING (SWITCH 1: 1NO - 1NC) (SWITCH 2: 2NC)
4	4NC DIRECT ACTING (SWITCH 1: 2NC) (SWITCH 2: 2NC)
5	1NO - 1NC DIRECT ACTING, GOLD PLATED (SWITCH 1: 1NO - 1NC) (SWITCH 2: NONE)
6	2NO - 2NC DIRECT ACTING, GOLD PLATED (SWITCH 1: 1NO - 1NC) (SWITCH 2: 1NO - 1NC)
7	1NO - 3NC DIRECT ACTING, GOLD PLATED (SWITCH 1: 1NO - 1NC) (SWITCH 2: 2NC)
8	4NC DIRECT ACTING, GOLD PLATED (SWITCH 1: 2NC) (SWITCH 2: 2NC)



SHAFT TRAVEL CHARTS



- NOTES
- 1 - TWO CONDUIT THREAD PLUGS ARE INCLUDED WITH PRODUCT
 - 2 - NOMENCLATURE IS PROVIDED FOR IDENTIFICATION OF EXISTING LISTINGS. NOT ALL COMBINATIONS ARE AVAILABLE
 - 3 - POSITIVE OPENING TO IEC/EN60947-5-1
 - 4 - FORCE TO MAINTAIN ACTUATION SHAFT AT PROPER TENSION: 25 LBS
ACTUATION SHAFT OPERATE FORCE: 40 LBS

ELECTRICAL RATING				ENVIRONMENTAL		APPROVALS	
AC		DC		IP 67 NEMA 1, 4, 12 & 13		UL CE	
A300 Ue	AC15 Ie	O300 Ue	DC13 Ie	TEMP RANGE: -25°C TO 85°C -13°F TO 185°F		IEC/EN60947-5-5	
(VOLTS)	(AMPS)	(VOLTS)	(AMPS)	STORAGE: -40°C TO 85°C -40°F TO 185°F			
120	6	24	2.8	SHOCK: 15G PER IEC 68-2-27			
240	3	125	.55	VIBRATION: 5G PER IEC 68-2-6			
Ith = 10A							

UNLESS OTHERWISE SPECIFIED TOLERANCES ARE:		DRAWN: TSM I1APRO3		CHECK: SAV I1APRO3	
NO PLACE	X	±.040	±.1	THIS DRAWING COVERS A PROPRIETARY ITEM AND IS THE PROPERTY OF HONEYWELL. THIS DRAWING IS NOT TO BE COPIED OR USED WITHOUT THE PERMISSION OF HONEYWELL.	
ONE PLACE	.X	±.030	±0.4	DIMENSIONS ARE TO BE MET BEFORE PROTECTIVE COATINGS ARE APPLIED.	
TWO PLACE	.XX	±.015	±0.15	PTC	3D
THREE PLACE	.XXX	±.005	±	ASME Y14.5M-1994	
ANGLES		±		SCALE: FULL	
RAW MATERIAL-COMMERCIAL STANDARD				WEIGHT: SHEET 1 OF 1	
THIRD ANGLE PROJECTION			DRAWING NAME: ICPs SERIES CHART 1		
REV: A			REV: A		

Honeywell

SWITCH, ASSEMBLY

ICPS SERIES CHART 1