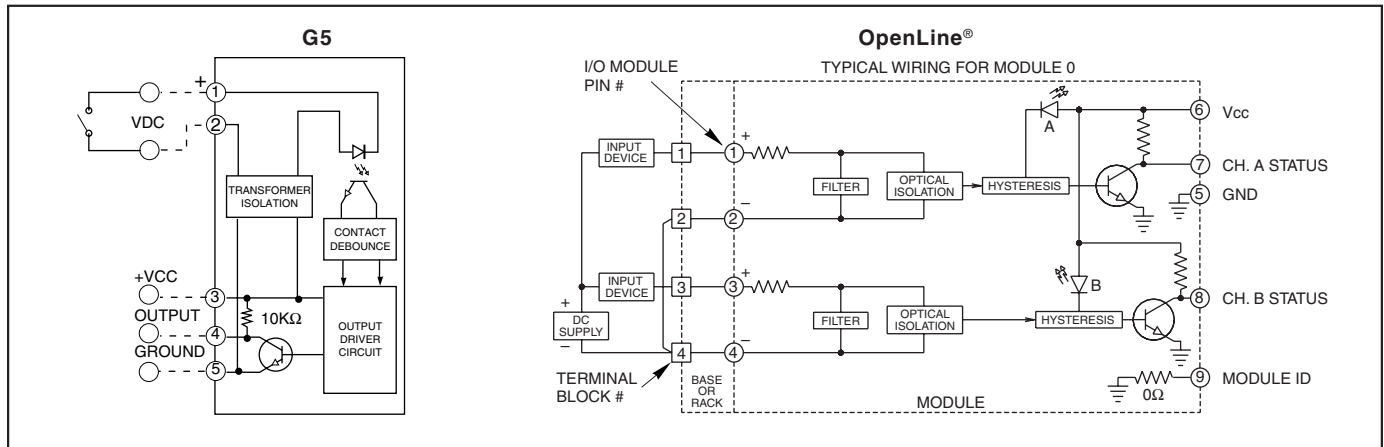


**FEATURES**

- Wire Dry Contact Sensors Directly to Module, Eliminate External Power Supply
- 2500 Vac Isolation
- Built-In Status LED
- UL, CSA, CE Mark, TÜV Certified (TÜV not available on OpenLine®)
- Simplifies Field Wiring



**CIRCUITRY: Negative True Logic**



**SPECIFICATIONS:**

Specifications apply over operating temperature range unless noted otherwise.

**All Modules**

**Output Specifications**

- Output Current Range:** 1-50 mA
- Breakdown Voltage:** 50 Vdc minimum
- Off State Leakage Current:** 1 µA maximum
- On State Voltage Drop:** 0.45 Vdc at 50 mA maximum

**General Characteristics**

**Isolation Voltage Field to Logic:**  
2500 Vac (rms) minimum

**OpenLine®**

- Vibration:** .15ms, 10 to 50 Hz per IEC68-2-6
- Mechanical Shock:** 50 G's, 0.5 ms, sinusoidal per IEC68-2-27
- Storage Temperature Range:** -40°C to +100°C
- Operating Temperature Range:** -40°C to +85°C

- per MIL-STD-202, Method 213, Condition F
- Storage Temperature Range:** -40°C to +125°C
- Operating Temperature Range:** 0°C to +60°C

**G5**

- Vibration:** 20 G's peak or .06" double amplitude 10-2000 Hz per MIL-STD-202, Method 204, Condition D
- Mechanical Shock:** 1500 G's 0.5 ms half-sine

**Available from your local Grayhill Distributor.**  
For prices and discounts, contact a local Sales Office, an authorized local Distributor or Grayhill.

**SPECIFICATIONS: By Part Number**

Type/Function		Grayhill Part Number		
G5, Dry Contact		70L-IDC5S	70G-IDC5S	70G-IDC24S
<b>Specifications</b>	<b>Units</b>			
Maximum Dry Contact Voltage Rating	Vdc	25	25	25
Minimum Dry Contact Current Rating	mA	5	5	5
Maximum Turn-on Time	mSec	10	3.0	3.0
Maximum Turn-off Time	mSec	10	3.0	3.0
Contact Resistance (Output Low)	Ω	≤ 1.25K	≤ 1.25K	≤ 1.25K
Contact Resistance (Output High)	Ω	25K	25K	25K
Nominal Logic Voltage (Vcc)	Vdc	5	5	24
Logic Voltage Range: G5	Vdc	4.5-5.5	4.5-6	15-30
Max. Logic Supply Current @ Nominal Vcc	mA	120 <sup>1</sup>	41	41

<sup>1</sup>WHEN BOTH CHANNELS ARE ACTIVATED