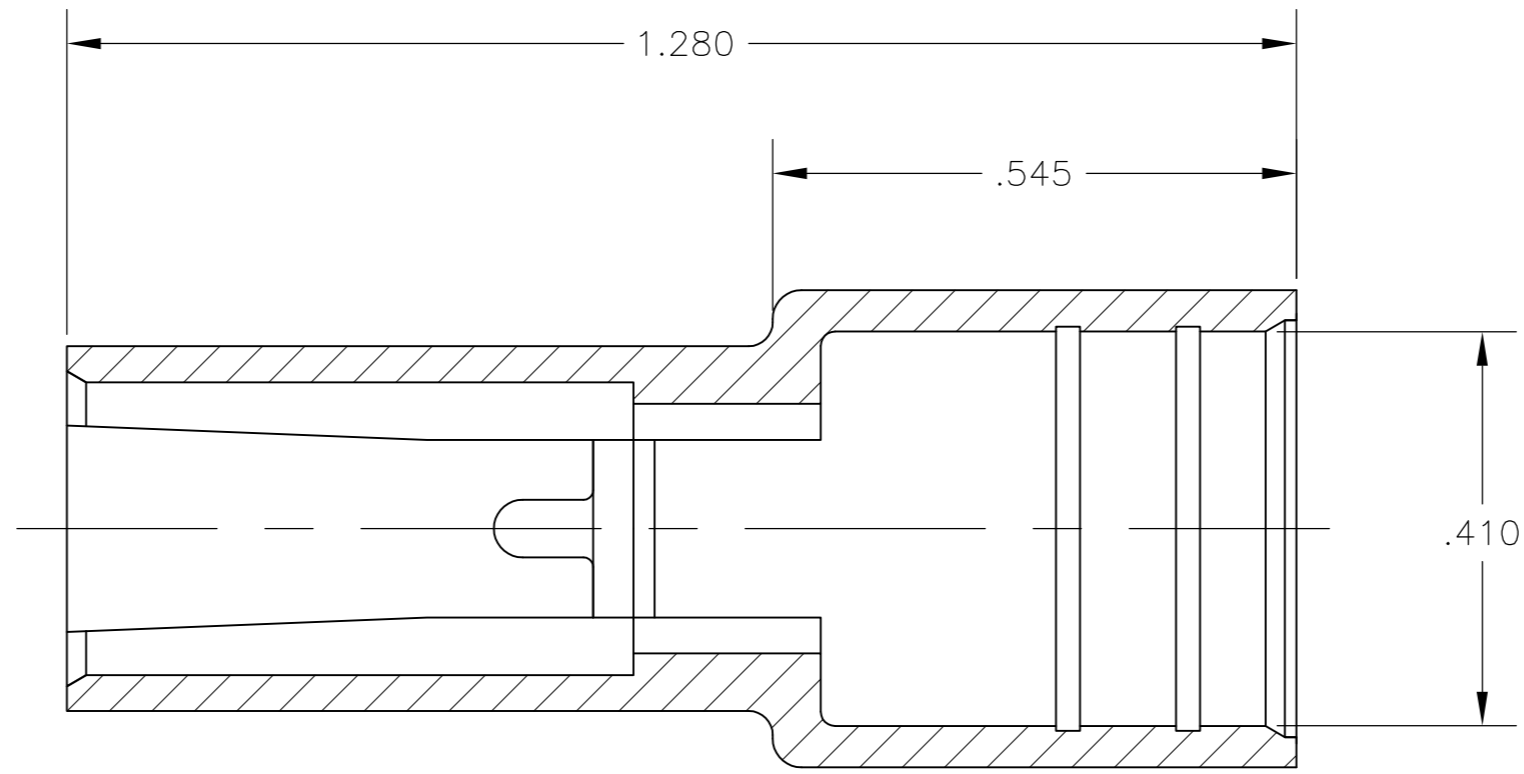
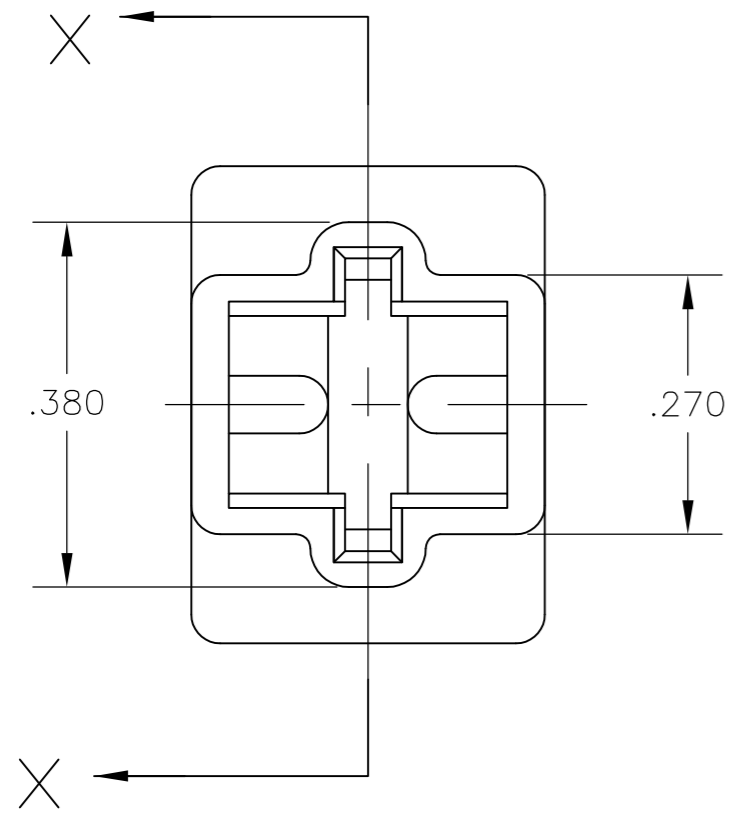


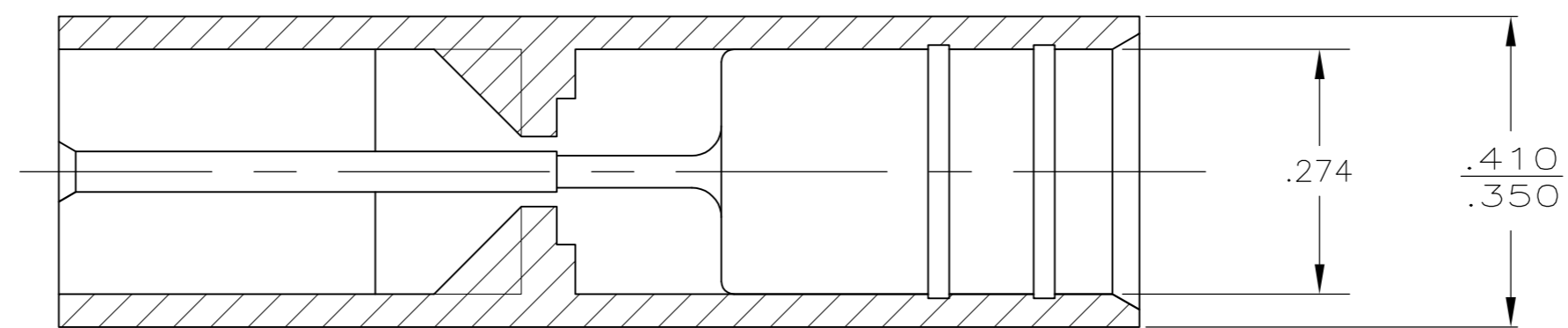
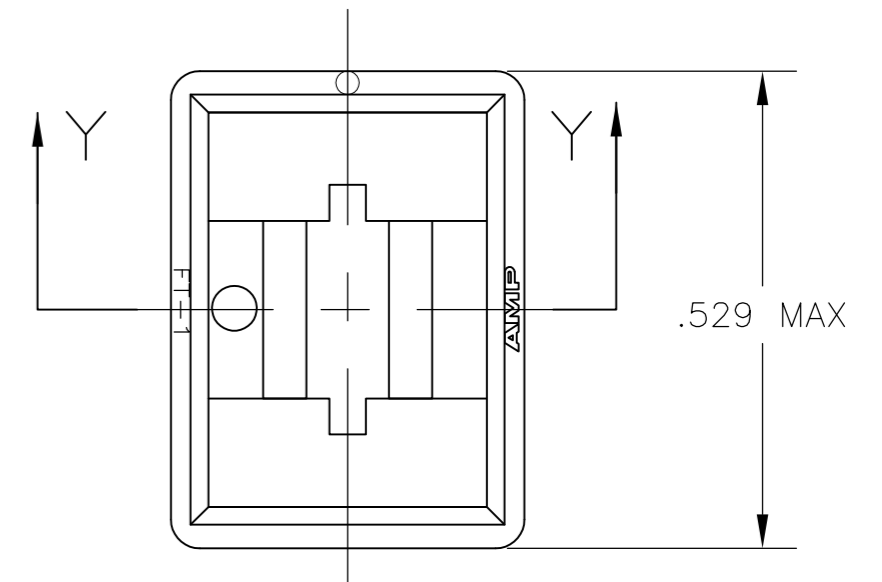
THIS DRAWING IS UNPUBLISHED. RELEASED FOR PUBLICATION
 © COPYRIGHT BY TYCO ELECTRONICS CORPORATION. ALL INTERNATIONAL RIGHTS RESERVED.

LOC	DIST	REVISIONS			
P	LTR	DESCRIPTION	DATE	DWN	APVD
AF	50	B1	REVISED PER ECR-08-029136	04DEC08	HMR KR

1 PRELIMINARY - NOT FOR PRODUCTION.



SECTION X-X



SECTION Y-Y
ROTATED 90° CW

NATURAL	30% GF POLYSTER, 5VA	1 521289-2
NATURAL	66/6 NYLON, VO	521289-1
COLOR	MATERIAL	PART NO

THIS DRAWING IS A CONTROLLED DOCUMENT.		DWN	JR RUTH	16MAR00	Tyco Electronics Corporation Harrisburg, PA 17105-3608
DIMENSIONS: mm [INCHES]		CHK	MS FEHER	16MAR00	
TOLERANCES UNLESS OTHERWISE SPECIFIED:		APVD	-	-	NAME
0 PLC ± - 1 PLC ± - 2 PLC ± - 3 PLC ± .015 4 PLC ± - ANGLES ± -		PRODUCT SPEC	HOUSING, TAB, FASTIN-FASTON, .250 SERIES		
MATERIAL SEE TABLE		APPLICATION SPEC	SIZE CAGE CODE DRAWING NO RESTRICTED TO		
FINISH SEE TABLE		WEIGHT	A2 00779 C=521289 -		
		CUSTOMER DRAWING	SCALE	SHEET	REV
			5:1	1 of 1	B1