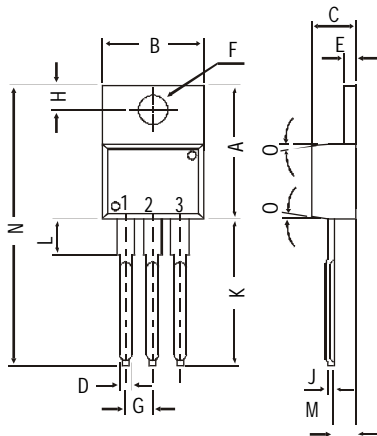
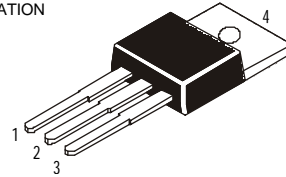


TO-220 Plastic Package

2N5294, 2N5296, 2N5298

2N5294, 5296, 5298 NPN PLASTIC POWER TRANSISTORS
Medium Power Switching and Amplifier Applications

PIN CONFIGURATION
 1. BASE
 2. COLLECTOR
 3. EMITTER
 4. COLLECTOR



All dimensions in mm.

DIM	MIN.	MAX.
A	14.42	16.51
B	9.63	10.67
C	3.56	4.83
D		0.90
E	1.15	1.40
F	3.75	3.88
G	2.29	2.79
H	2.54	3.43
J		0.56
K	12.70	14.73
L	2.80	4.07
M	2.03	2.92
N		31.24
O		DEG 7

ABSOLUTE MAXIMUM RATINGS

		5294	5296	5298	
Collector-base voltage (open emitter)	V_{CBO} max.	80	60	80	V
Collector-emitter voltage (open base)	V_{CEO} max.	70	40	60	V
Collector current	I_C max.		4.0		A
Total power dissipation up to $T_C = 25^\circ C$	P_{tot} max.		36		W
Junction temperature	T_j max.		150		$^\circ C$
Collector-emitter saturation voltage	V_{CEsat} max.	1.0	-	-	V
$I_C = 0.5$ A; $I_B = 0.05$ A			1.0		V
$I_C = 1$ A; $I_B = 0.1$ A				1.0	V
$I_C = 1.5$ A; $I_B = 0.15$ A					V
D.C. current gain	h_{FE} min.	30	-	-	
$I_C = 0.5$ A; $V_{CE} = 4$ V	h_{FE} max.	120	-	-	
$I_C = 1$ A; $V_{CE} = 4$ V	h_{FE}^* min.	-	30	-	
$I_C = 1.5$ A; $V_{CE} = 4$ V	h_{FE}^* max.	-	120	-	
	h_{FE}^* min.	-	-	20	
	h_{FE}^* max.	-	-	80	

2N5294, 2N5296, 2N5298

RATINGS (at $T_A=25^\circ\text{C}$ unless otherwise specified)

Limiting values

		5294	5296	5298	
Collector-base voltage (open emitter)	V_{CB0}	max. 80	60	80	V
Collector-emitter voltage (open base)	V_{CEO}	max. 70	40	60	V
Collector-emitter voltage ($V_{BE} = 1.5\text{V}$)	V_{CEV}	max. 80	60	80	V
Collector-emitter voltage ($R_{BE} = 100\Omega$)	V_{CER}	max. 75	50	70	V
Emitter-base voltage (open base)	V_{EBO}	max. 7.0	5.0	5.0	V
Collector current	I_C	max.	4.0	A	
Base current	I_B	max.	2.0	A	
Total power dissipation up to $T_C = 25^\circ\text{C}$	P_{tot}	max.	36	W	
Derate above 25°C		max.	0.288	W°C	
Total power dissipation up to $T_A = 25^\circ\text{C}$	P_{tot}	max.	1.8	W	
Derate above 25°C		max.	0.0144	W°C	
Junction temperature	T_j	max.	150	$^\circ\text{C}$	
Storage temperature	T_{stg}		-65 to +150	$^\circ\text{C}$	

THERMAL RESISTANCE

From junction to ambient	$R_{th\ j-a}$	70	$^\circ\text{C/W}$
From junction to case	$R_{th\ j-c}$	3.5	$^\circ\text{C/W}$

CHARACTERISTICS

$T_{amb} = 25^\circ\text{C}$ unless otherwise specified

		5294	5296	5298	
Collector cutoff current					
$V_{CE} = 65\text{ V}; V_{BE} = 1.5\text{ V}$	I_{CEV}	max. 0.5	-	0.5	mA
$V_{CE} = 35\text{ V}; V_{BE} = 1.5\text{ V}$	I_{CEV}	max.	2.0	-	mA
$V_{CE} = 65\text{ V}; V_{BE} = 1.5\text{ V}; T_C = 150^\circ\text{C}$	I_{CEV}	max. 3.0	-	3.0	mA
$V_{CE} = 35\text{ V}; V_{BE} = 1.5\text{ V}; T_C = 150^\circ\text{C}$	I_{CEV}	max.	5.0	-	mA
$V_{CE} = 50\text{ V}; R_{BE} = 100\ \Omega$	I_{CER}	max. 0.5	-	0.5	mA
$V_{CE} = 50\text{ V}; R_{BE} = 100\ \Omega; T_C = 150^\circ\text{C}$	I_{CER}	max. 2.0	-	2.0	mA
Emitter cut-off current					
$I_C = 0; V_{EB} = 7\text{ V}$	I_{EBO}	max. 1.0	-	-	mA
$I_C = 0; V_{EB} = 5\text{ V}$	I_{EBO}	max.	1.0	1.0	mA
Breakdown voltages					
$I_C = 100\text{ mA}; I_B = 0$	$V_{CEO(sus)}^*$	min. 70	40	60	V
$I_C = 1\text{ mA}; I_E = 0$	V_{CB0}	min. 80	60	80	V
$I_E = 1\text{ mA}; I_C = 0$	V_{EBO}	min. 7	5	5	V
Saturation voltages					
$I_C = 0.5\text{ A}; I_B = 0.05\text{ A}$	V_{CEsat}^*	max. 1.0	-	-	V
$I_C = 1\text{ A}; I_B = 0.1\text{ A}$	V_{CEsat}^*	max.	1.0	-	V
$I_C = 1.5\text{ A}; I_B = 0.15\text{ A}$	V_{CEsat}^*	max.	-	1.0	V
Base-emitter on voltage					
$I_C = 0.5\text{ A}; V_{CE} = 4\text{ V}$	$V_{BE(on)}^*$	max. 1.1	-	-	V
$I_C = 1\text{ A}; V_{CE} = 4\text{ V}$	$V_{BE(on)}^*$	max.	1.3	-	V
$I_C = 1.5\text{ A}; V_{CE} = 4\text{ V}$	$V_{BE(on)}^*$	max.	-	1.5	V

2N5294, 2N5296, 2N5298

		5294 5296 5298			
<i>D.C. current gain</i>					
$I_C = 0.5 \text{ A}; V_{CE} = 4 \text{ V}$	h_{FE}^*	<i>min.</i> 30	-	-	
		<i>max.</i> 120	-	-	
$I_C = 1 \text{ A}; V_{CE} = 4 \text{ V}$	h_{FE}^*	<i>min.</i> -	30	-	
		<i>max.</i> -	120	-	
$I_C = 1.5 \text{ A}; V_{CE} = 4 \text{ V}$	h_{FE}^*	<i>min.</i> -	-	20	
		<i>max.</i> -	-	80	
<i>Transition frequency</i>					
$I_C = 0.2 \text{ A}; V_{CE} = 4 \text{ V}$	f_T	<i>min.</i> 0.8	0.8	0.8	MHz
Switching time					
<i>Turn on time</i>					
$V_{CC} = 30 \text{ V}; I_C = 0.5 \text{ A}; I_{B1} = 0.05 \text{ A}$	t_{on}	<i>max.</i> 5	-	-	μs
$V_{CC} = 30 \text{ V}; I_C = 1 \text{ A}; I_{B1} = 0.1 \text{ A}$	t_{on}	<i>max.</i> -	5	-	μs
$V_{CC} = 30 \text{ V}; I_C = 1.5 \text{ A}; I_{B1} = 0.15 \text{ A}$	t_{on}	<i>max.</i> -	-	5	μs
<i>Turn off time</i>					
$V_{CC} = 30 \text{ V}; I_C = 0.5 \text{ A}; I_{B1} = 0.05 \text{ A}$	t_{off}	<i>max.</i> 15	-	-	μs
$V_{CC} = 30 \text{ V}; I_C = 1 \text{ A}; I_{B2} = 0.1 \text{ A}$	t_{off}	<i>max.</i> -	15	-	μs
$V_{CC} = 30 \text{ V}; I_C = 1.5 \text{ A}; I_{B2} = 0.15 \text{ A}$	t_{off}	<i>max.</i> -	-	15	μs

* Pulsed pulse duration = 300 μs ; duty factor = 0.018.

Notes

Disclaimer

The product information and the selection guides facilitate selection of the CDIL's Discrete Semiconductor Device(s) best suited for application in your product(s) as per your requirement. It is recommended that you completely review our Data Sheet(s) so as to confirm that the Device(s) meet functionality parameters for your application. The information furnished on the CDIL Web Site/ CD is believed to be accurate and reliable. CDIL however, does not assume responsibility for inaccuracies or incomplete information. Furthermore, CDIL does not assume liability whatsoever, arising out of the application or use of any CDIL product; neither does it convey any license under its patent rights nor rights of others. These products are not designed for use in life saving/support appliances or systems. CDIL customers selling these products (either as individual Discrete Semiconductor Devices or incorporated in their end products), in any life saving/support appliances or systems or applications do so at their own risk and CDIL will not be responsible for any damages resulting from such sale(s).

CDIL strives for continuous improvement and reserves the right to change the specifications of its products without prior notice.



CDIL is a registered Trademark of
Continental Device India Limited

C-120 Naraina Industrial Area, New Delhi 110 028, India.
Telephone + 91-11-2579 6150, 5141 1112 Fax + 91-11-2579 5290, 5141 1119
email@cdil.com www.cdilsemi.com