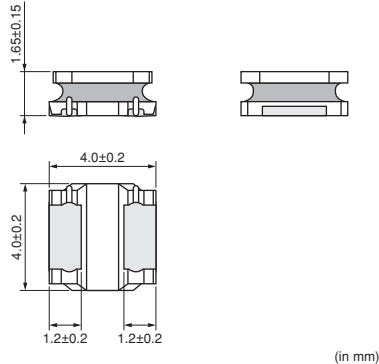


Chip Inductor (Chip Coil) Power Inductor (Wire Wound Type)

LQH44P_P0 Series (1515 Size)

■ Dimensions



■ Packaging

Code	Packaging	Minimum Quantity
L	180mm Embossed Tape	1000
K	330mm Embossed Tape	3500

■ Rated Value (□: packaging code)

Part Number	Inductance	Rated Current (Based on Inductance Change)	Rated Current (Based on Temperature Rise)	DC Resistance	Self Resonance Frequency (min.)
LQH44PN1R0NP0□	1.0μH ±30%	2950mA	2450mA	0.030ohm ±20%	90MHz
LQH44PN2R2MP0□	2.2μH ±20%	2500mA	1800mA	0.049ohm ±20%	70MHz
LQH44PN3R3MP0□	3.3μH ±20%	2100mA	1770mA	0.065ohm ±20%	50MHz
LQH44PN4R7MP0□	4.7μH ±20%	1700mA	1700mA	0.080ohm ±20%	40MHz
LQH44PN6R8MP0□	6.8μH ±20%	1400mA	1340mA	0.12ohm ±20%	35MHz
LQH44PN100MP0□	10μH ±20%	1150mA	1170mA	0.16ohm ±20%	25MHz
LQH44PN220MP0□	22μH ±20%	800mA	790mA	0.37ohm ±20%	17MHz

Test Frequency: 1MHz Class of Magnetic Shield: Magnetic shield of magnetic powder in resin
 Operating Temperature Range (Self-temperature rise is included): -40 to +125°C
 Operating Temperature Range (Self-temperature rise is not included): -40 to +85°C
 Only for reflow soldering.

■ Notice (Rated Current)

When Rated Current is applied to the Products,
 Inductance will be within ±30% of nominal
 Inductance value.
 When Rated Current is applied to the Products,
 self-generation of heat will rise to 40°C or less.

Continued on the following page.

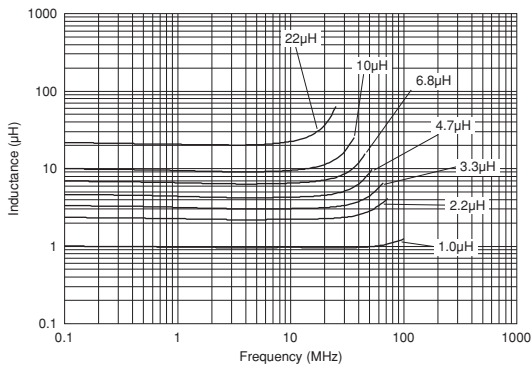
● This data sheet is applied for CHIP INDUCTORS (CHIP COILS) used for General Electronics equipment for your design.

⚠ Note:

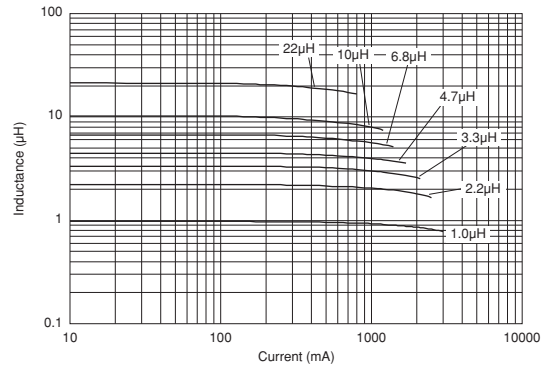
- This datasheet is downloaded from the website of Murata Manufacturing co., ltd. Therefore, it's specifications are subject to change or our products in it may be discontinued without advance notice. Please check with our sales representatives or product engineers before ordering.
- This datasheet has only typical specifications because there is no space for detailed specifications. Therefore, please approve our product specifications or transact the approval sheet for product specifications before ordering.

Continued from the preceding page.

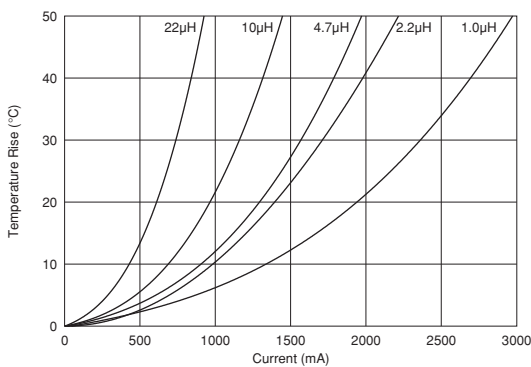
Inductance-Frequency Characteristics (Typ.)



Inductance-Current Characteristics (Typ.)



Temperature Rise Characteristics (Typ.)



Caution/Notice

Caution (Rating)

Do not use products beyond the rated current as this may create excessive heat.

Notice

Solderability of Tin plating termination chip might be deteriorated when low temperature soldering profile where peak solder temperature is below the Tin melting point is used. Please confirm the solderability of Tin plating termination chip before use.

● This data sheet is applied for CHIP INDUCTORS (CHIP COILS) used for General Electronics equipment for your design.

Note:

1. This datasheet is downloaded from the website of Murata Manufacturing co., Ltd. Therefore, it's specifications are subject to change or our products in it may be discontinued without advance notice. Please check with our sales representatives or product engineers before ordering.
2. This datasheet has only typical specifications because there is no space for detailed specifications. Therefore, please approve our product specifications or transact the approval sheet for product specifications before ordering.