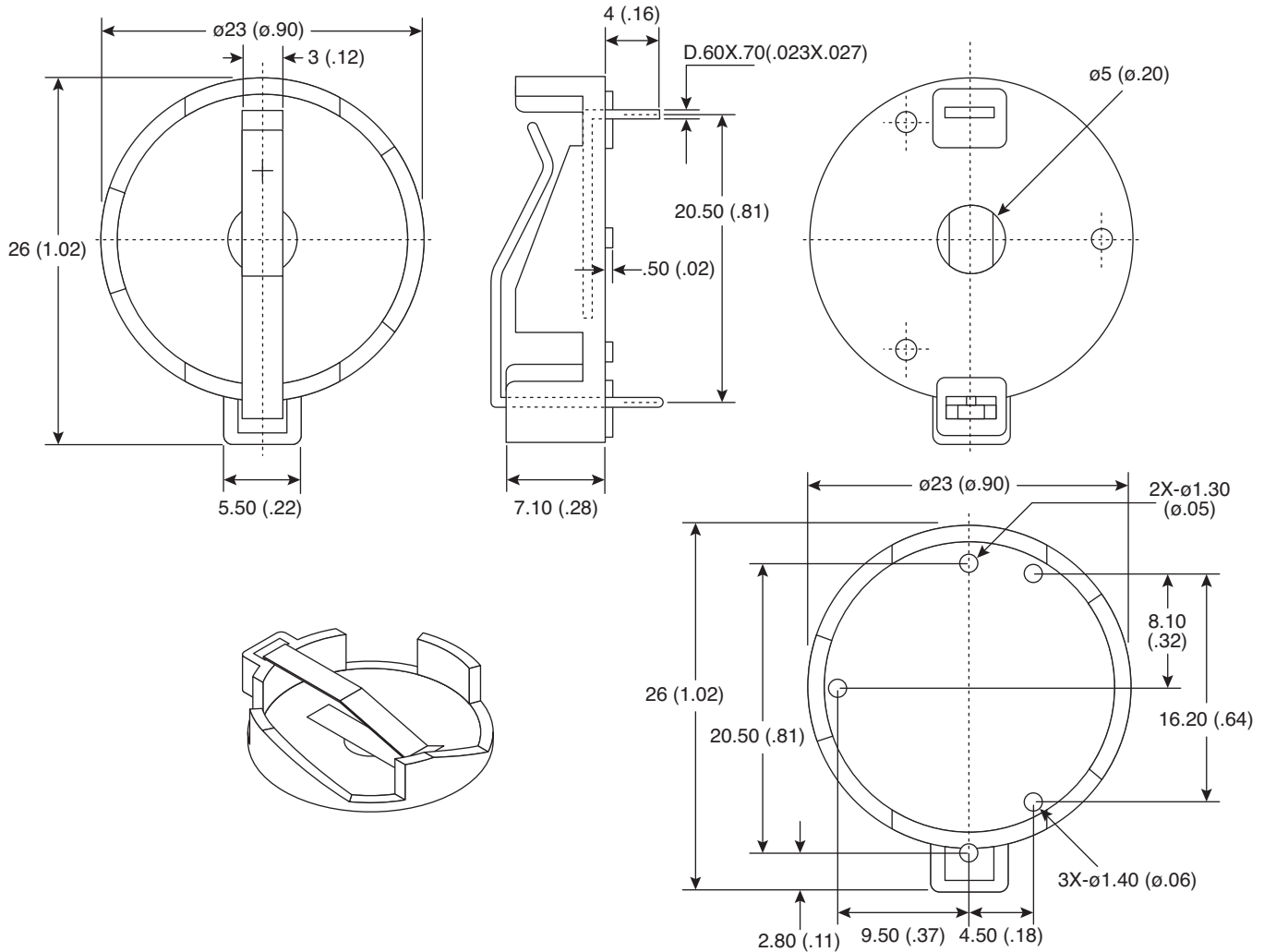


Last Revised: 4-4-12



Dimensions: mm (in.)

PCB Mounting Layout

SPECIFICATIONS

Housing Material:	PBT+30%GF black
Contact Material:	Phosphor bronze 0.6 thick tin plated over nickel
Current Rating:	2A (AC/DC)
Voltage Rating:	500VAC/DC
Contact Resistance:	30 m Ω
Insulation Resistance:	500 M Ω
Temperature Range:	-55°C to +85°C
Humidity:	40°C and 90-95% RH for 96 hours
RoHS Compliant	