

10 BASE-T COUPLING TRANSFORMER

P/N: TS7024 DATA SHEET

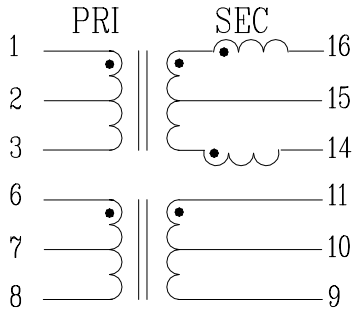
A. GENERAL SPECIFICATIONS:

1. 16PNS, XMD PACKAGE TO COMPLIANT WITH IEEE802.3 STANDARD.
2. MODEL IS AVAILABLE TO INTERFACE WITH 10 BASE-T TRANSCEIVERS.
3. COMPATIBLE WITH IR OVEN PROCESSES.
4. STORAGE TEMP RANGE: -25°C TO +125°C

B. ELECTRICAL SPECIFICATIONS: (@ 25°C)

1. PRIMARY INDUCTANCE (Lp): 50/200uH min @ 200mV/100KHz.
2. LEAKAGE INDUCTANCE (LL): 0.2uH MAX. @ 200mV/100KHz.
3. INTER-WINDING CAPACITANCE (Cw/w): 10pF max.
4. DCR: 0.20Ω MAX
5. ET-CONSTANT: 3.5V-us MAX.
6. RISE TIME: 3.0ns MAX.
7. INSERTION LOSS: -0.5dB Max @ 1-10MHz.
8. HI-POT: 1500Vrms Min.
9. TURN RATIO: PIN(1-3): (16-14)=1CT:2CT/PIN (6-8): (11-9)=1CT: 1CT

C. SCHEMATIC & DIMENSIONS & MARKING (UNIT mm)



PIN 1 DOT

