



MC-Card Plug Right Angle Connector Crimp/Solder Attachment For RG174, RG316, RG188

TECHNICAL DATA SHEET

PE44308

MC-Card Plug Right Angle Connector Crimp/Solder Attachment For RG174, RG316, RG188

Configuration

| | |
|--|-------------------|
| Connector | MC-Card Plug |
| Connector Interface Type | RG174,RG316,RG188 |
| Cable Attachment Method (Shield/Contact) | Crimp/Solder |
| Body Style | Right Angle |

Electrical Specifications

| | |
|-----------------|----|
| Impedance, Ohms | 50 |
|-----------------|----|

Mechanical Specifications

Size

| | |
|-----------------|---------------|
| Length, in [mm] | 0.352 [8.94] |
| Height, in [mm] | 0.532 [13.51] |
| Weight, lbs [g] | 0.004 [1.81] |

Connector

| | |
|-------------------------------|-----------------------|
| Type | MC-Card Plug |
| Contact Material and Plating | Phosphor Bronze, Gold |
| Contact Plating Specification | 30µ in. minimum |
| Body Material and Plating | Brass, Nickel |
| Body Plating Specification | 100µ in. minimum |
| Dielectric Type | Teflon |

Compliance Certifications (visit www.Pasternack.com for current document)

| | |
|----------------|-----|
| RoHS Compliant | Yes |
|----------------|-----|

Plotted and Other Data

| | |
|--------|----------------------------|
| Notes: | Values at 25 °C, sea level |
|--------|----------------------------|

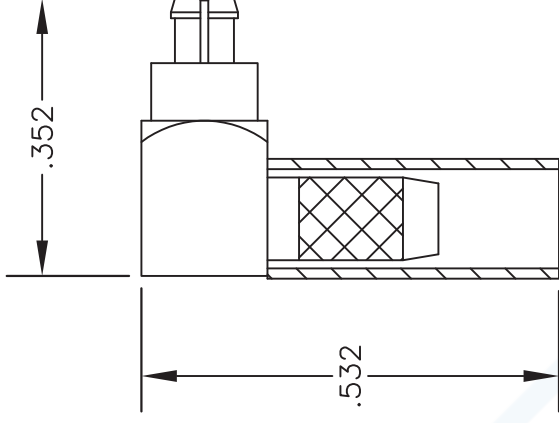
MC-Card Plug Right Angle Connector Crimp/Solder Attachment For RG174, RG316, RG188 from Pasternack Enterprises has same day shipment for domestic and International orders. Our RF, microwave and fiber optic products maintain a 99% availability and are part of the broadest selection in the industry.

Click the following link (or enter part number in "SEARCH" on website) to obtain additional part information including price, inventory and certifications: [MC-Card Plug Right Angle Connector Crimp/Solder Attachment For RG174, RG316, RG188 PE44308](http://www.pasternack.com/mc-card-plug-right-angle-connector-crimp-solder-attachment-for-rg174-rg316-rg188-pe44308)

URL: <http://www.pasternack.com/mc-card-plug-standard-rg174-rg316-rg188-connector-pe44308-p.aspx>

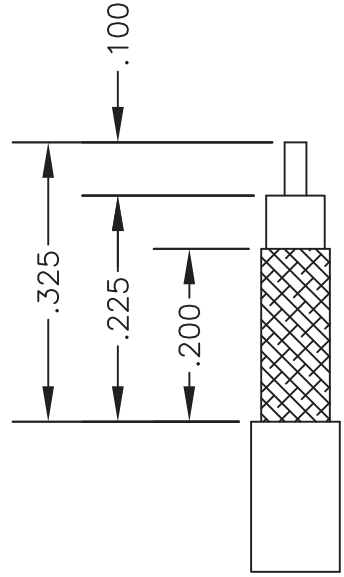
The information contained in this document is accurate to the best of our knowledge and representative of the part described herein. It may be necessary to make modifications to the part and/or the documentation of the part, in order to implement improvements. Pasternack reserves the right to make such changes as required. Unless otherwise stated, all specifications are nominal.

| MATERIALS | |
|-----------|---------------------|
| BODY | BRASS NICKEL PLATED |
| CONTACT | GOLD PLATED |
| INSULATOR | PTFE |
| | |



ASSEMBLY PROCEDURES

1. STRIP CABLE AS SHOWN & TIN CENTER CONDUCTOR. SLIDE FERRULE OVER CABLE.
2. INSTALL CABLE INTO BODY OF CONNECTOR & SOFT SOLDER CENTER CONDUCTOR IN PLACE.
3. CRIMP FERRULE. INSERT PTFE & PRESS CAP DOWN.



STRIPPING DIMENSIONS



PASTERNAK ENTERPRISES, INC.
P.O. BOX 16759, IRVINE, CA 92623
PHONE (949) 261-1920 FAX (949) 261-7451
WEB ADDRESS: www.pasternack.com
E-MAIL ADDRESS: sales@pasternack.com
COAXIAL & FIBER OPTICS

| | | | |
|----------------|---|-----------------|-----------|
| DWG TITLE | DES. MC CARD PLUG RIGHT ANGLE CRIMP ATTACHMENT FOR RG174, RG188 & RG316 | | |
| PE44308 | | | |
| SIZE A | FSCM NO. 53919 | CAD FILE 072402 | SCALE N/A |
| | | | 127 |

NOTES:

1. UNLESS OTHERWISE SPECIFIED ALL DIMENSIONS ARE NOMINAL.
2. ALL SPECIFICATIONS ARE SUBJECT TO CHANGE WITHOUT NOTICE AT ANY TIME.