

Wolfgang Knap
Gesellschaft m.b.H. & Co.KG

A-1130 Wien
Lilienberggasse 13
Tel.: +43-1-403 08 12
Fax: +43-1-408 72 13
e-mail: info@knap.at
http://www.knap.at



8-PIN DIP TRI-STATE ENABLE/DISABLE OSCILLATORS NHB1L / NHB1H / NHT1L

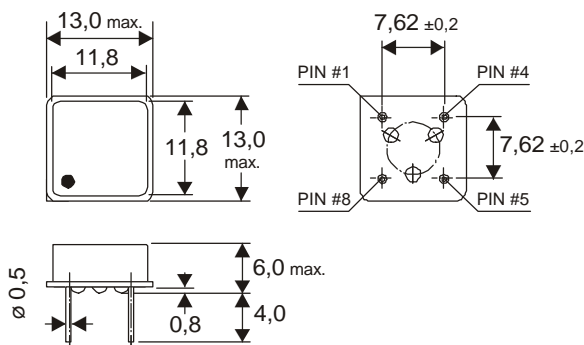


FREQUENZSTABILITÄT FREQUENCY STABILITY		BETRIEBSBEDINGUNGEN OPERATING CONDITIONS	
Modell Model			
NH1B1L/-B1H/-T1L	±100ppm/-10~+70°C	Betriebstemperatur <i>operating temp.</i>	-10~+70°C, -40~+85°C
NH2B1L/-B1H/-T1L	±50ppm/-10~+70°C	Lagertemperatur <i>storage temperature</i>	-55~+125°C
NH3B1L/-B1H/-T1L	±25ppm/-10~+70°C	Betriebsspannung V_{DD} <i>supply voltage</i>	+5,0V ±0,5V
NH1B1HR	±100ppm/-45~+85°C		

Elektrische Daten <i>electrical characteristics</i>					
T _a = 25°C, V _{DD} = 5,0 V, C _L = 15 pF (NHxB1L), C _L = 50 pF (NHxB1H), R _L = 400 Ω (NHxT1L)					
Parameter <i>parameter</i>	Bedingungen <i>conditions</i>	Frequenzbereich <i>frequency range</i> (MHz)	NHxB1L	NHxB1H	NHxT1L
max. Stromaufnahme <i>max. input current</i> I _{DD}		1,800 - 25,000 25,000 ⁺ - 50,000 50,000 ⁺ - 80,000 80,000 ⁺ - 100,000	16 mA 30 mA 59 mA 69 mA	25 mA 40 mA 77 mA 82 mA	16 mA 30 mA 60 mA 75 mA
Frequenzstabilität <i>frequency stability</i>	über alles *) all conditions *)	1,800 - 50,000 50,000 ⁺ - 90,000 90,000 ⁺ - 100,000	±25 ppm ~ ±100 ppm ±50 ppm ~ ±100 ppm ±100 ppm		
Tastverhältnis <i>symmetry</i>	@2.5 V @1,4 V	1,800 - 80,000 80,000 ⁺ - 100,000 1,800 - 80,000 80,000 ⁺ - 100,000	45/55 % 40/60 % - -	- -	45/55 % 40/60 % - -
Ausgangsspannung <i>output voltage</i> V _{OL} V _{OH}	"0" level "1" level	1,800 - 100,000	0,5 V max. 4,5 V min.	-	0,4V max. 2,4V min.
Anstiegszeit max. <i>rise time max.</i> T _R	0,5 - 4,5 V 0,4 - 2,4 V	1,800 - 100,000	5 ns max. -	-	5 ns max.
Abfallzeit max. <i>fall time max.</i> T _F	4,5 - 0,5 V 2,4 - 0,4 V	1,800 - 100,000	5 ns max. -	-	5 ns max.
Ausgangsstrom min. <i>output current min.</i> I _{OL} I _{OH}	"0" level "1" level	1,800 - 100,000	16 mA min. 16 mA min.	-	16 mA min. 4 mA min.
max. Belastbarkeit <i>max. driving ability</i>	TTL	1,800 - 100,000	10 N-TTL max.		
	HCMOS	1,800 - 80,000 80,000 ⁺ - 100,000	15 pF max. 15 pF max.	50 pF max. 30 pF max.	- -
Startzeit max. <i>start-up time max.</i>	0,0 - 5,0 V	1,800 - 100,000	10 ms max.		

*) Anmerkung: inkl. Abgleichtoleranz bei +25°C, Temperaturgang, Spannungs- und Laständerung, Alterung, Schock und Vibration
*) note: incl. Frequency (at 25°C) and temperature tolerance, supply voltage and load change, aging, shock and vibration

Abmessungen in mm / dimensions in mm



Anschlußbelegung <i>pin connections</i>	
#1	E/D
#4	GND
#5	OUT
#8	V _{DD}

Funktionstabelle <i>enable /disable function</i>	
INH (pin #1)	output (pin #3)
open	active
"1" (V _{IH} ≥ 2,2 V)	active
"0" (V _{IL} ≤ 0,8 V)	high Z