

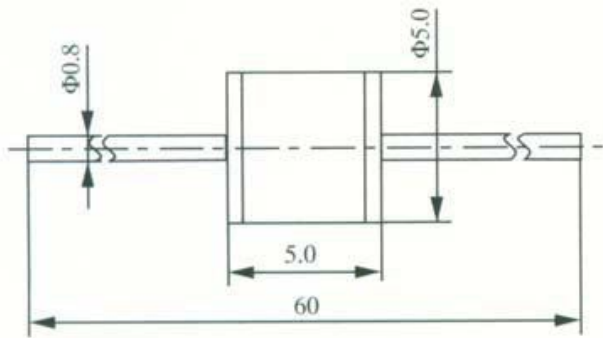
## 2-Electrode Gas Discharge Tubes

5KA



### 1: Dimension(mm)

Fast Delivery Time



2R75A Photo

### 2:Main Applications

- PCI Cards protection
- Telephone/Fax/Modem protection
- single line protection
- ADSL/XDSL Splitter,Power Supply
- Surge Protection Device/Surge Protector

### 3:Features

- 100% Lead-Free(RoHs Compliant )
- Non-Radioactive
- Low capacitance ( $\leq 1\text{pF}$ )
- Fast Response-time,High Insulation Resistance.
- Small size :Ø5x5(mm)

### 4 Electrical Characteristics

| Part Number | DC Spark-over Voltage @ 100V/S | Impulse Spark-over Voltage @100V/ $\mu\text{s}$ | Impulse Spark-over Voltage @1KV/ $\mu\text{s}$ | Insulation Resistance | Impulse discharge current(8/20 $\mu\text{s}$ ) |        | AC discharge current (50Hz,1s,10ti mes) | Capacitance (1MHz) |
|-------------|--------------------------------|---|--|-----------------------|--|--------|---|--------------------|
|             | V                              | V   | V  | G $\Omega$            | 10 Times                                       | 1 Time | A                                       | PF                 |
| 2R75A       | 75 $\pm 20\%$                  | <500  | <600   | >1                    | 5KA  | 10KA   | 5                                       | $\leq 1$           |
| 2R90A       | 90 $\pm 20\%$                  | <500  | <600   | >1                    | 5KA  | 10KA   | 5                                       | $\leq 1$           |
| 2R150A      | 150 $\pm 20\%$                 | <500  | <600   | >1                    | 5KA  | 10KA   | 5                                       | $\leq 1$           |
| 2R230A      | 230 $\pm 20\%$                 | <600  | <700   | >1                    | 5KA  | 10KA   | 5                                       | $\leq 1$           |
| 2R250A      | 250 $\pm 20\%$                 | <600  | <700   | >1                    | 5KA  | 10KA   | 5                                       | $\leq 1$           |
| 2R300A      | 300 $\pm 20\%$                 | <800  | $\leq 900$                                     | >1                    | 5KA  | 10KA   | 5                                       | $\leq 1$           |
| 2R350A      | 350 $\pm 20\%$                 | <900  | $\leq 1000$                                    | >1                    | 5KA  | 10KA   | 5                                       | $\leq 1$           |
| 2R400A      | 400 $\pm 20\%$                 | <900  | $\leq 1000$                                    | >1                    | 5KA  | 10KA   | 5                                       | $\leq 1$           |
| 2R420A      | 420 $\pm 20\%$                 | <900  | $\leq 1000$                                    | >1                    | 5KA  | 10KA   | 5                                       | $\leq 1$           |
| 2R470A      | 470 $\pm 20\%$                 | <1100   | $\leq 1200$                                    | >1                    | 5KA  | 10KA   | 5                                       | $\leq 1$           |
| 2R500A      | 500 $\pm 20\%$                 | <1100   | $\leq 1200$                                    | >1                    | 5KA  | 10KA   | 5                                       | $\leq 1$           |
| 2R600A      | 600 $\pm 20\%$                 | <1200   | $\leq 1300$                                    | >1                    | 5KA  | 10KA   | 5                                       | $\leq 1$           |
| 2R800A      | 800 $\pm 20\%$                 | <1300   | <1400  | >1                    | 5KA  | 10KA   | 5                                       | $\leq 1$           |

Packing Quantity : 100PCS

Shen Zhen HuaXinAn Electronics Co.,Ltd

sales@huaandz.com

abc0734@126.com