

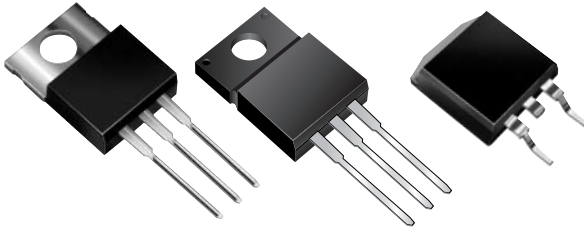


MBR25xxCT, MBRF25xxCT & MBRB25xxCT Series

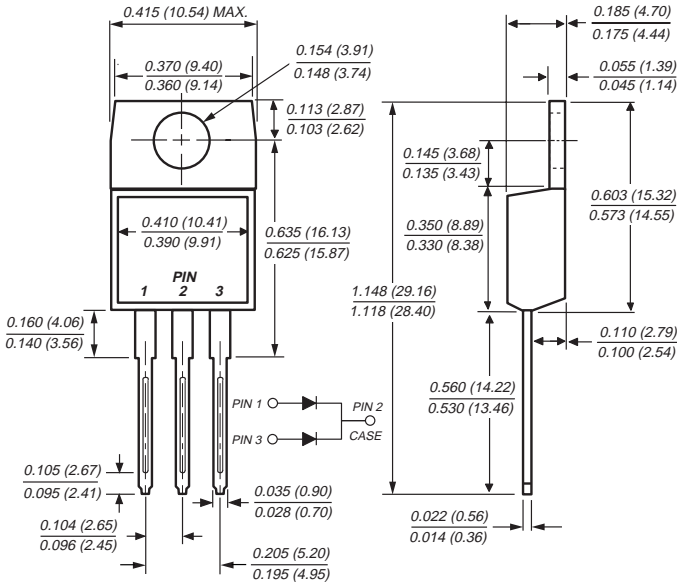
Vishay Semiconductors
formerly General Semiconductor

Dual Schottky Barrier Rectifier

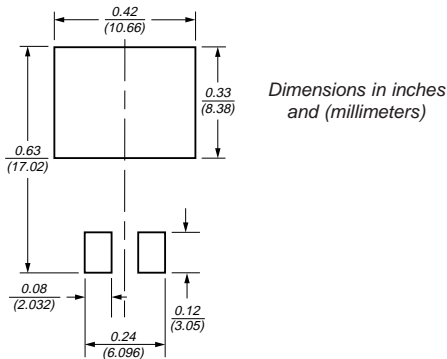
Reverse Voltage 35 to 60A
Forward Current 30A



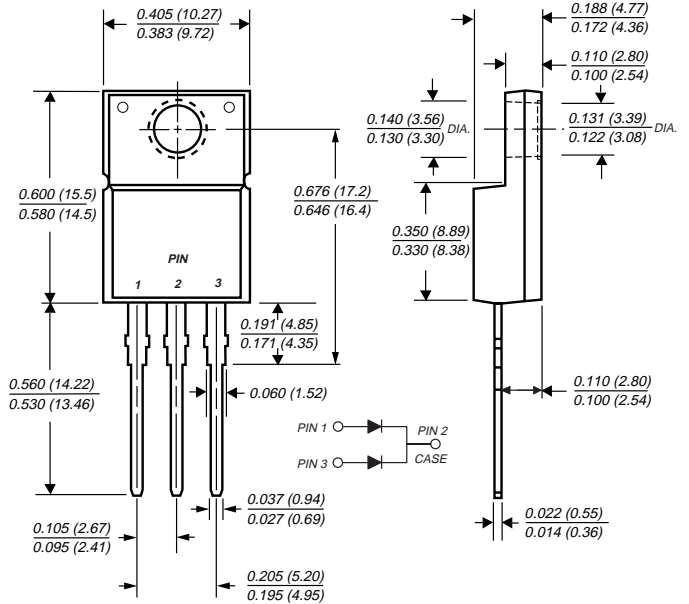
TO-220AB (MBR25xxCT)



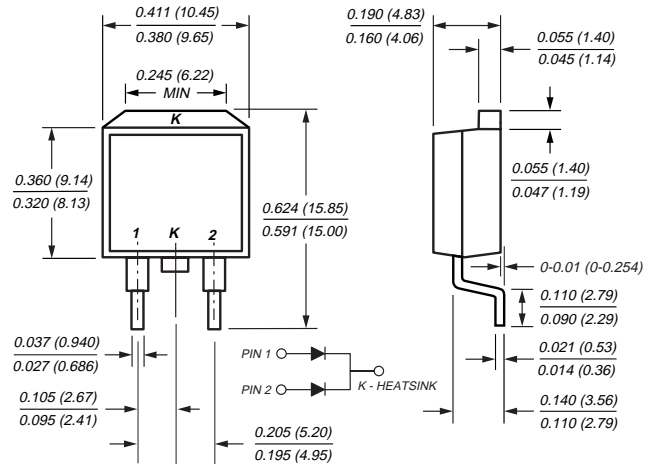
Mounting Pad Layout TO-263AB



ITO-220AB (MBRF25xxCT)



TO-263AB (MBRB25xxCT)



Features

- Plastic package has Underwriters Laboratory Flammability Classification 94V-0
- Dual rectifier construction, positive center tap
- Metal silicon junction, majority carrier conduction
- Low power loss, high efficiency
- Guardring for overvoltage protection
- For use in low voltage, high frequency inverters, free wheeling, and polarity protection applications
- High temperature soldering guaranteed: 250°C/10 seconds, 0.25" (6.35mm) from case
- Rated for reverse surge and ESD

Mechanical Data

Case: JEDEC TO-220AB, ITO-220AB & TO-263AB molded plastic body

Terminals: Plated leads, solderable per MIL-STD-750, Method 2026

Polarity: As marked

Mounting Position: Any

Mounting Torque: 10 in-lbs maximum

Weight: approx. 0.05ounce, 1.35 grams

MBR25xxCT, MBRF25xxCT & MBRB25xxCT Series



Vishay Semiconductors
formerly General Semiconductor

Maximum Ratings (T_C = 25°C unless otherwise noted)

| Parameter | Symbol | MBR2535CT | MBR2545CT | MBR2550CT | MBR2560CT | Unit |
|---|--------------------|---|-----------|-----------|-----------|------|
| Maximum repetitive peak reverse voltage | V _{RRM} | 35 | 45 | 50 | 60 | V |
| Working peak reverse voltage | V _{RWM} | 35 | 45 | 50 | 60 | V |
| Maximum DC blocking voltage | V _{DC} | 35 | 45 | 50 | 60 | V |
| Maximum average forward rectified current <i>Total device</i> at T _C = 130°C <i>Per leg</i> | I _{F(AV)} | 30 15 | | | | A |
| Peak repetitive forward current per leg at T _C = 130°C (rated V _R , square wave, 20 KHz) | I _{FRM} | 30 | | | | A |
| Peak forward surge current 8.3ms single half sine-wave superimposed on rated load (JEDEC Method) per leg | I _{FSM} | 150 | | | | A |
| Peak repetitive reverse current per leg at t _p = 2μs, 1KHz | I _{RRM} | 1.0 | | 0.5 | | A |
| Peak non-repetitive reverse energy (8/20μs waveform) | E _{RSM} | 25 | | | | mJ |
| Electrostatic discharge capacitor voltage Human body model: c = 100pF, R = 1.5kΩ | V _C | 25 | | | | kV |
| Voltage rate of change (rated V _R) | dv/dt | 10,000 | | | | V/μs |
| Operating junction temperature range | T _J | -65 to +150 | | | | °C |
| Storage temperature range | T _{STG} | -65 to +175 | | | | °C |
| RMS Isolation voltage (MBRF type only) from terminals to heatsink with t = 1.0 second, RH ≤ 30% | V _{ISOL} | 4500 ⁽¹⁾ 3500 ⁽²⁾ 1500 ⁽³⁾ | | | | V |

Electrical Characteristics (T_C = 25°C unless otherwise noted)

| Parameter | Symbol | MBR2535CT | MBR2545CT | MBR2550CT | MBR2560CT | Unit |
|--|----------------|------------------------|-----------|------------------------|-----------|------|
| Maximum instantaneous forward voltage per leg ⁽⁴⁾ at I _F = 15A, T _C = 25°C at I _F = 15A, T _C = 125°C at I _F = 30A, T _C = 25°C at I _F = 30A, T _C = 125°C | V _F | – – 0.82 0.73 | | 0.75 0.65 – – | | V |
| Maximum instantaneous reverse current at rated DC blocking voltage per leg (Note 4) T _C = 25°C T _C = 125°C | I _R | 0.2 40 | | 1.0 50 | | mA |

Thermal Characteristics (T_C = 25°C unless otherwise noted)

| Parameter | Symbol | MBR | MBRF | MBRB | Unit |
|--|------------------|-----|------|------|------|
| Typical thermal resistance from junction to case per leg | R _{θJC} | 1.5 | 4.5 | 1.5 | °C/W |

Notes:

- (1) Clip mounting (on case), where lead does not overlap heatsink with 0.110" offset
- (2) Clip mounting (on case), where leads do overlap heatsink
- (3) Screw mounting with 4-40 screw, where washer diameter is ≤ 4.9 mm (0.19")
- (4) Pulse test: 300μs pulse width, 1% duty cycle

Ordering Information

| Product | Case | Package Code | Package Option |
|-------------------------|-----------|--------------|---|
| MBR2535CT - MBR2560CT | TO-220AB | 45 | Anti-Static tube, 50/tube, 2K/carton |
| MBRF2535CT - MBRF2560CT | ITO-220AB | 45 | Anti-Static tube, 50/tube, 2K/carton |
| MBRB2535CT - MBRB2560CT | TO-263AB | 31 | 13" reel, 800/reel, 4.8K/carton |
| | | 45 | Anti-Static tube, 50/tube, 2K/carton |
| | | 81 | Anti-Static 13" reel, 800/reel, 4.8K/carton |



Ratings and Characteristic Curves ($T_A = 25^\circ\text{C}$ unless otherwise noted)

