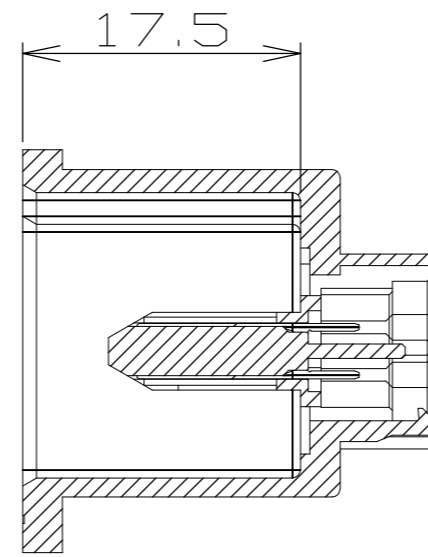
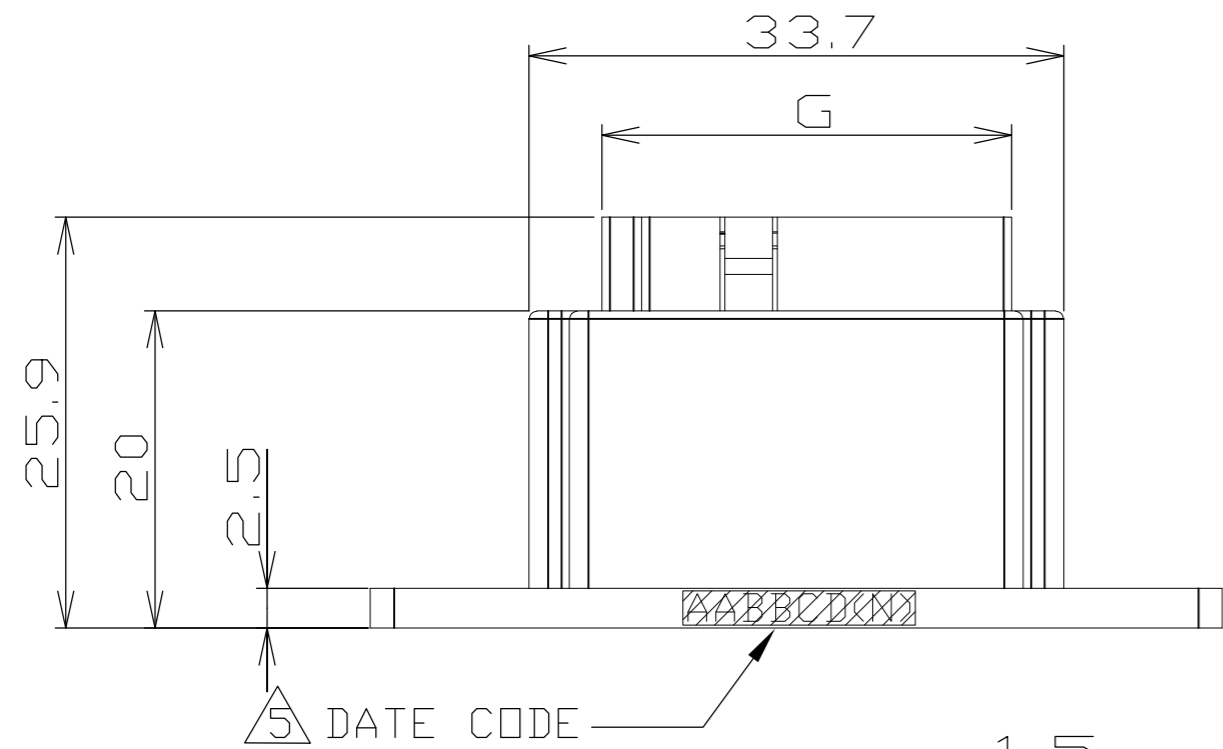
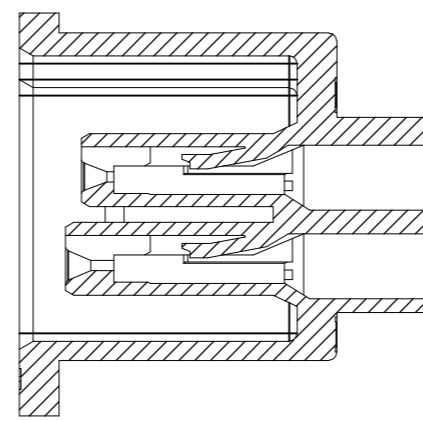
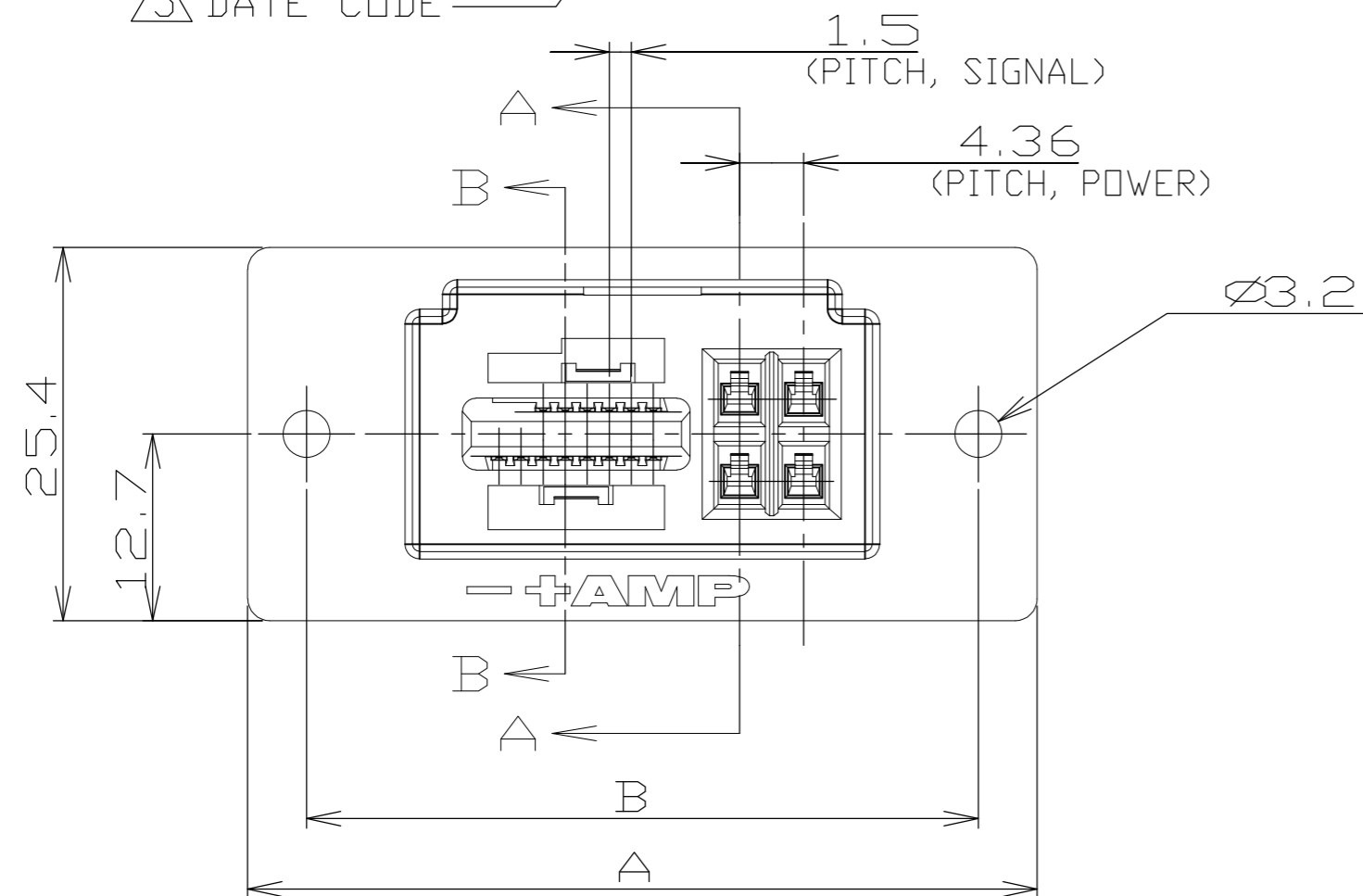


THIS DRAWING IS UNPUBLISHED. RELEASED FOR PUBLICATION
 © COPYRIGHT BY TYCO ELECTRONICS CORPORATION. ALL RIGHTS RESERVED.

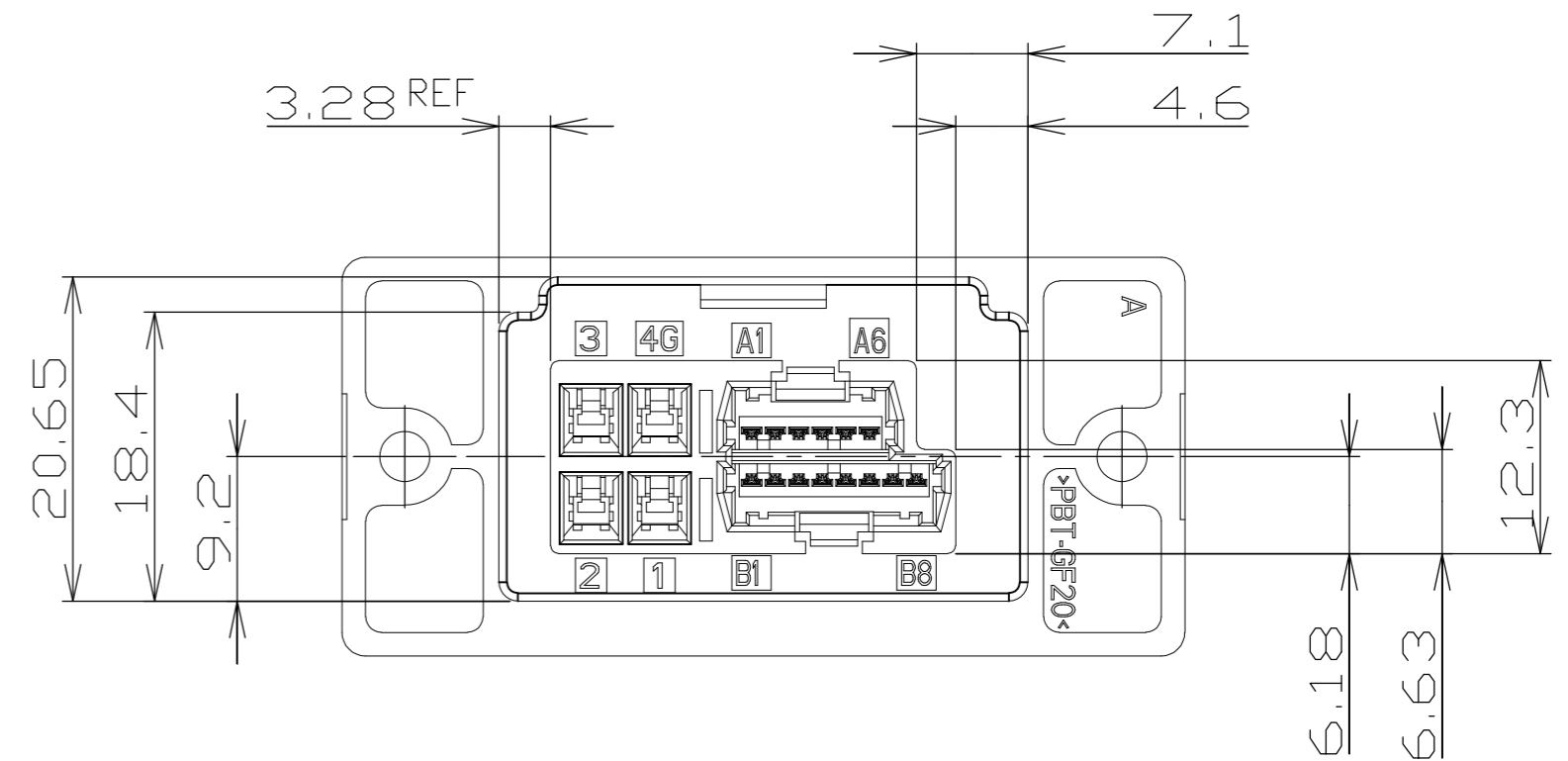
LOC		DIST		REVISIONS			
P	LTR	DESCRIPTION		DATE	DWN	APVD	
B1		REVISED ECR-07-028230		26NOV07	A,L	S,Y	



SECT B-B



SECT A-A



NOTES:
 ① USE WITH: MT REC CONN P/N: X-353293-X
 CRIMP HSG P/N: X-353908-X
 CRIMP CONT P/N: 353907-1
 353918-1(L/P)

② USE WITH POWER CONTACT P/N: 1123907-1 (NOT ASSEMBLED WHEN SHIPPED)

③ MATERIAL:
 HOUSING: GLASS FILLED THERMOPLASTIC, UL94V-0, GRAY
 SIGNAL CONTACT: BRASS
 FINISH (SIGNAL CONTACT):
 NICKEL UNDERPLATE ALL OVER
 LATTICE MATING AREA: GOLD PLATE
 MINI CT MATING AREA: MATTE TIN PLATE

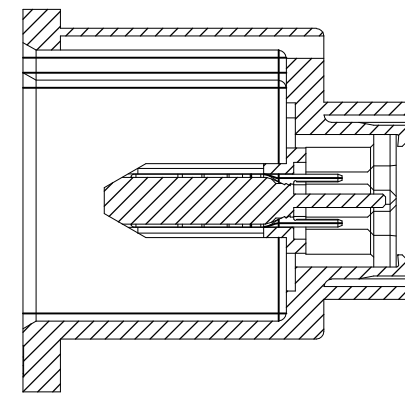
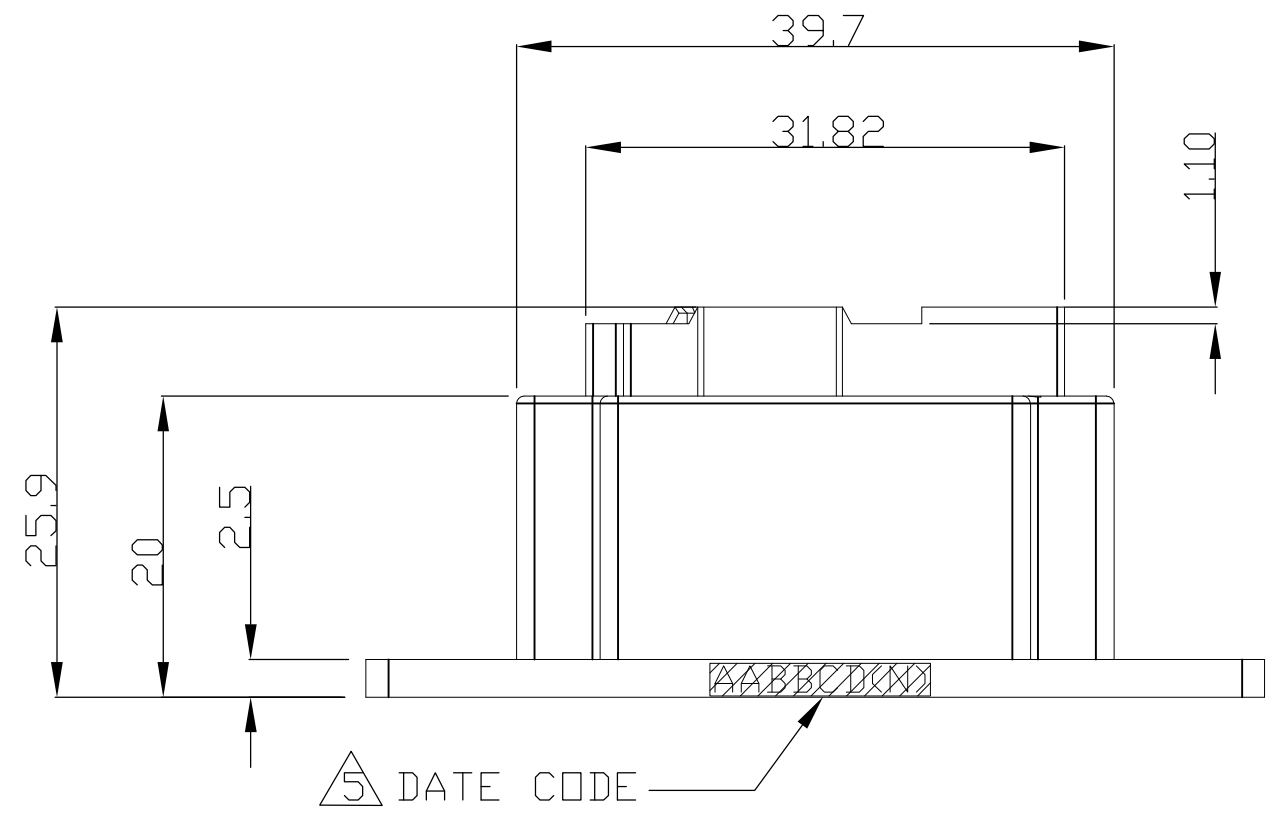
④ LOCATION OF DATE CODE: AABBCD(N)
 (AA: YEAR, BB: WEEK, C: DAY OF WEEK, D: DAYTIME, N: NIGHT)

11.3	25.82	3.75	4.25	34.7	33.7	45.7	53.7	C	14(6+8)	4	5-292246-4
11.3	25.82	3.75	4.25	34.7	33.7	45.7	53.7	B	14(6+8)	4	3-292246-4
11.3	25.82	2.05	2.55	34.7	33.7	45.7	53.7	A	14(6+8)	4	1-292246-4
WEIGHT (g)	G	F	E	D	C	B	A	KEY TYPE	SIGNAL	POWER	PART NUMBER

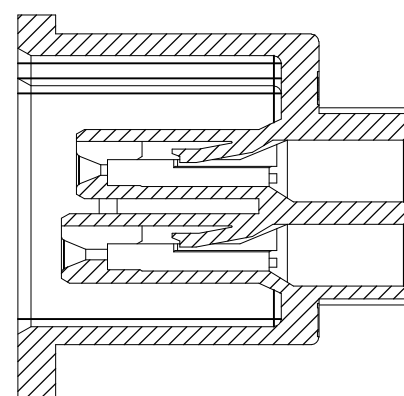
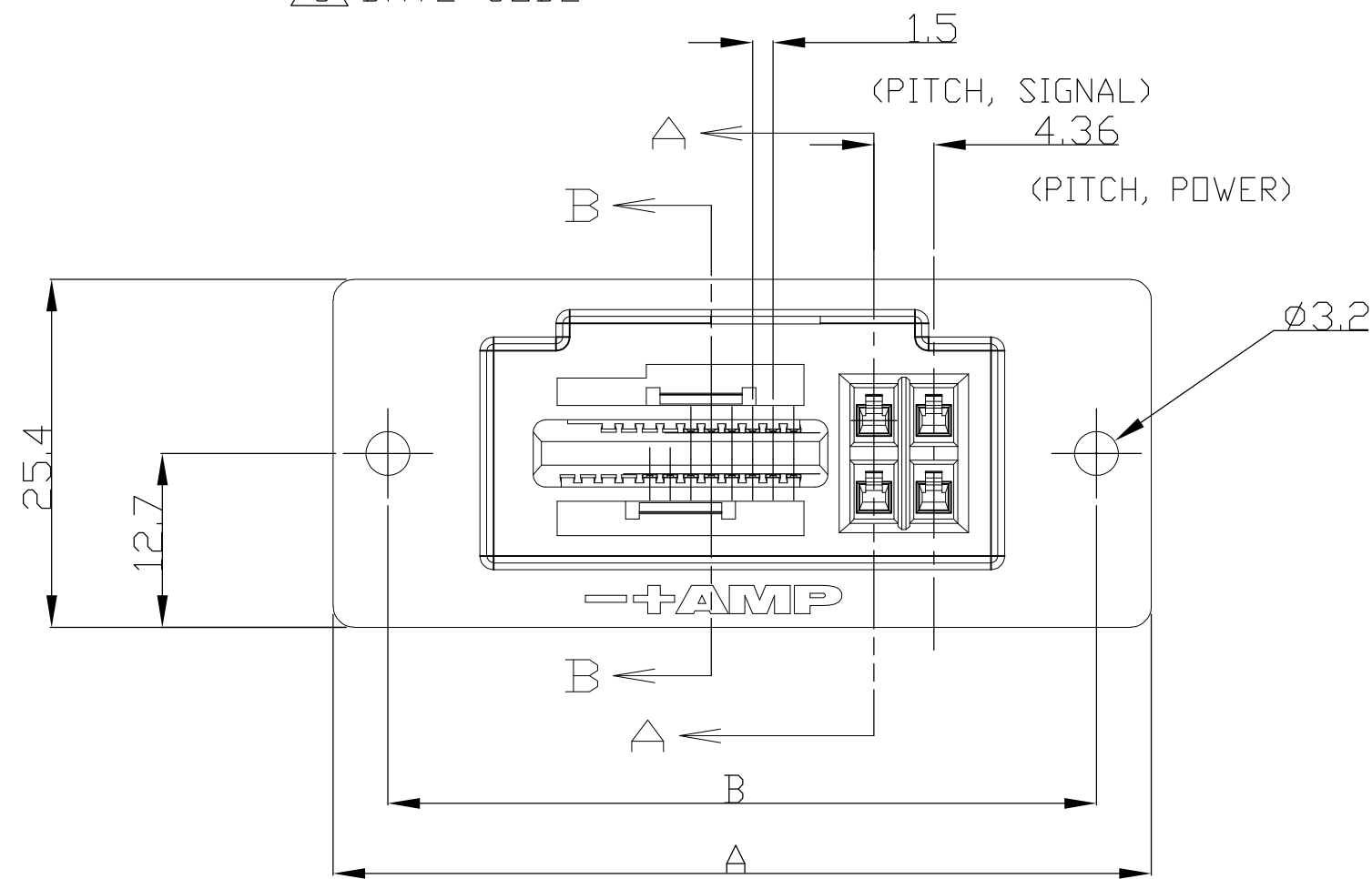
THIS DRAWING IS A CONTROLLED DOCUMENT.		DWN J. JIANG 05FEB03	Tyco Electronics Corporation Shanghai, PRC 200233	
DIMENSIONS: mm	TOLERANCES UNLESS OTHERWISE SPECIFIED: 0 PLC ± - 1 PLC ± - 2 PLC ± - 3 PLC ± - 4 PLC ± - ANGLES ± -	CHK S. Y 05FEB03	NAME T. SASAKI PRODUCT SPEC 108-60028 APPLICATION SPEC 114-5256	
MATERIAL SEE NOTE	FINISH SEE NOTE	APVD T. SASAKI 05FEB03	SIZE A2	CAGE CODE 00779
CUSTOMER DRAWING		WEIGHT	DRAWING NO C=292246	RESTRICTED TO -
		SCALE NTS	SHEET 1 of 3	REV B1

THIS DRAWING IS UNPUBLISHED. RELEASED FOR PUBLICATION
 © COPYRIGHT BY TYCO ELECTRONICS CORPORATION. ALL RIGHTS RESERVED.

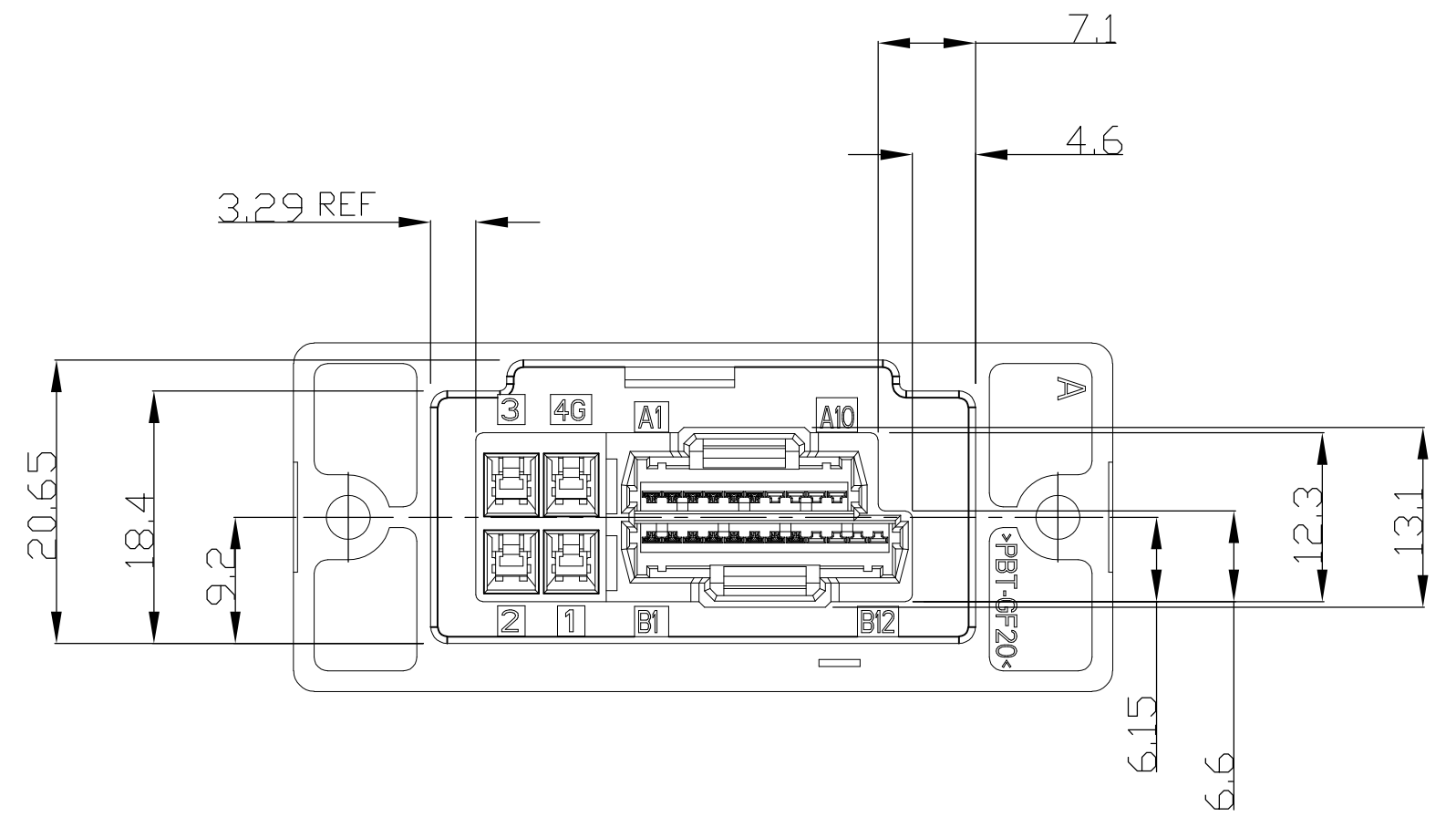
LOC		DIST		REVISIONS			
P	LTR	DESCRIPTION	DATE	DWN	APVD		
-	-	SEE SHEET 1	-	-	-	-	-



SECT B-B



SECT A-A



NOTES:

- ① USE WITHMT REC CONN P/N: X-353293-X
 CRIMP HSG P/N: X-353908-X
 CRIMP CNT P/N: 353907-1
 353918-1(L/P)
- ② USE WITH POWER CONTACT P/N:1123907-1(NOT ASSEMBLED WHEN SHIPPED)
- ③ MATERIAL:
 HOUSING :GLASS FILLED THERMOPLASTIC,UL94V-0,GRAY
 SIGNAL CONTACT:BRASS
- ④ FINISH (SIGNAL CONTACT):
 NICKEL UNDERPLATE ALL OVER
 LATTICE MATING AREA:GOLD PLATE
 MINI CT MATING AREA: MATTE TIN PLATE
- ⑤ LOCATION OF DATE CODE: AABBCD(N)
 (AA: YEAR, BB: WEEK, C: DAY OF WEEK, D: DAYTIME, N: NIGHT)

13.0	31.82	6.75	7.25	40.7	39.7	51.7	59.7	C	22(10+12)	4	6-292246-2
13.0	31.82	6.75	7.25	40.7	39.7	51.7	59.7	B	22(10+12)	4	4-292246-2
13.0	31.82	5.05	5.55	40.7	39.7	51.7	59.7	A	22(10+12)	4	2-292246-2
WEIGHT (g)	G	F	E	D	C	B	A	KEY TYPE	SIGNAL POSITION	POWER SIZE	PART NUMBER

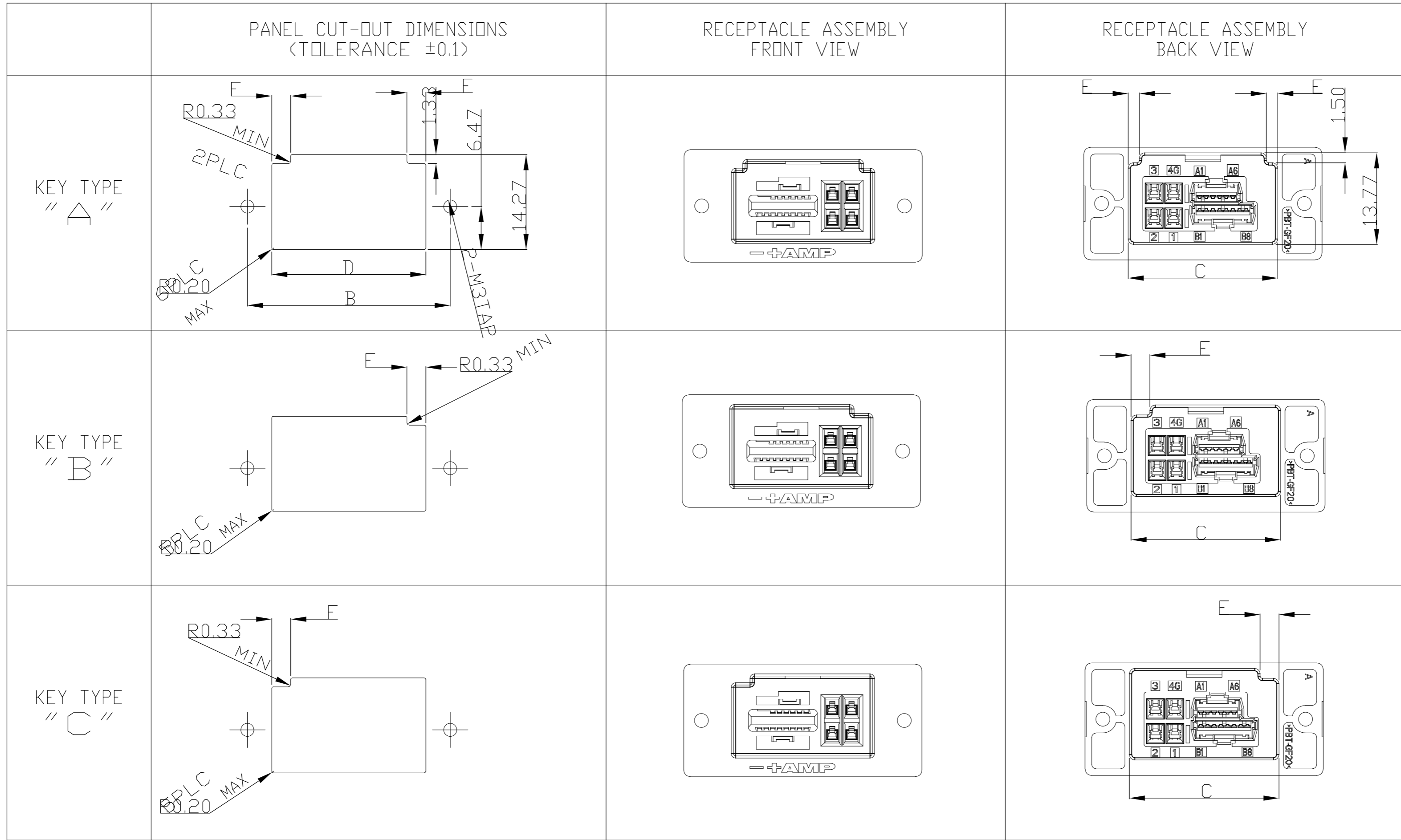
THIS DRAWING IS A CONTROLLED DOCUMENT.

DIMENSIONS: mm	TOLERANCES UNLESS OTHERWISE SPECIFIED:	DWN	-
	0 PLC ±	CHK	-
	1 PLC ±	APVD	-
	2 PLC ±	PRODUCT SPEC	-
	3 PLC ±	APPLICATION SPEC	-
	4 PLC ±	WEIGHT	-
	ANGLES ±		
MATERIAL	FINISH		

Tyco Electronics Corporation
 Shanghai ,PRC 200233
 NAME: RECEPTACLE ASSEMBLY FOR AMP 1.5 PITCH MINI CT HYBRID LATTICE CONNECTOR
 SIZE: A2 CAGE CODE: 00779 DRAWING NO: C=292246 RESTRICTED TO: -
 CUSTOMER DRAWING SCALE: NTS SHEET: 2 of 3 REV: B1

THIS DRAWING IS UNPUBLISHED. RELEASED FOR PUBLICATION
 © COPYRIGHT BY TYCO ELECTRONICS CORPORATION. ALL RIGHTS RESERVED.

REVISIONS				DATE	DWN	APVD
P	LTR	DESCRIPTION				
-	-	SEE SHEET 1	-	-	-	-



THIS DRAWING IS A CONTROLLED DOCUMENT.		DWN	-	Tyco Electronics Corporation		Shanghai ,PRC 200233	
DIMENSIONS: mm		CHK	-	NAME			
TOLERANCES UNLESS OTHERWISE SPECIFIED:		APVD	-	RECEPTACLE ASSEMBLY FOR AMP 1.5 PITCH MINI CT HYBRID LATTICE CONNECTOR			
0 PLC ± -		PRODUCT SPEC	-	SIZE	CAGE CODE	DRAWING NO	RESTRICTED TO
1 PLC ± -		APPLICATION SPEC	-	A2	00779	C=292246	-
2 PLC ± -		WEIGHT	-	SCALE		SHEET	REV
3 PLC ± -		CUSTOMER DRAWING	-	NTS		3 OF 3	B1
4 PLC ± -							
ANGLES ± -							
FINISH							