



This new family of Accutek DIP Adapter Modules converts surface mount IC's to pin compatible DIP packages for creating drop-in replacements for end-of-life DIP IC's. Package types supported are: SOJ, PLCC, SOIC, SOP, TSOP, QSOP, HSOP, MSOP, LLP (Leadless Leadframe Package), CSP (Chip Scale Package) and CLCC.

These DIP Adapters were developed for users with motherboard designs that require DIP's, now obsolete by manufacturers. These adapter modules save costly motherboard redesigns.

Available with machined or flat contact pins. Accutek DIP Adapter Modules feature 4 to 84 pins, are fully assembled and tested and may include a decoupling capacitor. These DIP Adapters can be manufactured turnkey or from customer supplied surface mount chips. Modules range in length from 0.200" to 4.200" depending on number of pins and incorporate 0.300", 0.400", 0.600", 0.900", 1.200" and 1.400" row-to-row spacing with 0.100" lead spacing.

Custom configurations up to 200 pins, multi-chip and double sided modules are also available for special functions. A variety of pin lengths with varying diameters as well as custom sizes and spacing can be specified with different materials and finishes. All modules are designed in-house using PCB CAD workstations. Automated assembly and 100% testing are also performed in-house.

30 Pin to 32 Pin DIP Adapters

DIP ADAPTER MODULES ELIMINATE THE NEED TO REDESIGN MOTHERBOARDS OR MAY BE USED FOR BREADBOARD PROTOTYPING

FEATURES

- Saves costly redesign of current motherboards
- Fully tested with lifetime limited warranty
- May include an on board decoupling capacitor
- IC assembly and testing available
- EPROM and Flash programming available
- Custom lead lengths available
- Custom multi-chip and double-sided modules available

ORDERING OPTIONS

- Adapter only
- Customer supplies chips - Accutek assembles on Accutek adapters, tests and delivers finished product in antistatic tubes.
- Complete turnkey - Accutek purchases IC's and passives. Then assembles, tests and delivers finished product in antistatic tubes.

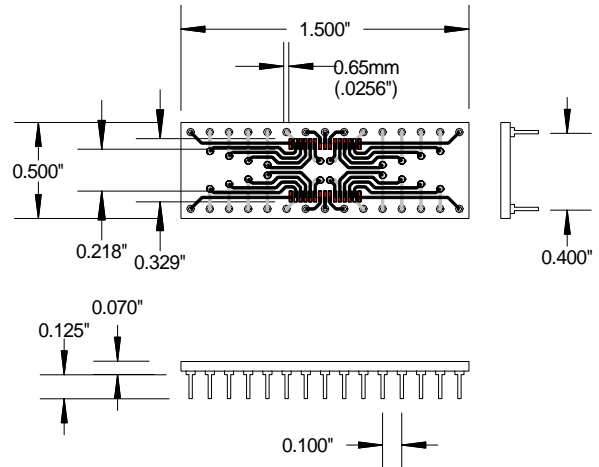
We can assemble your chips on to our adapter boards. Fully automated assembly and test at our Newburyport, Massachusetts facility.



No job is too large or too small.

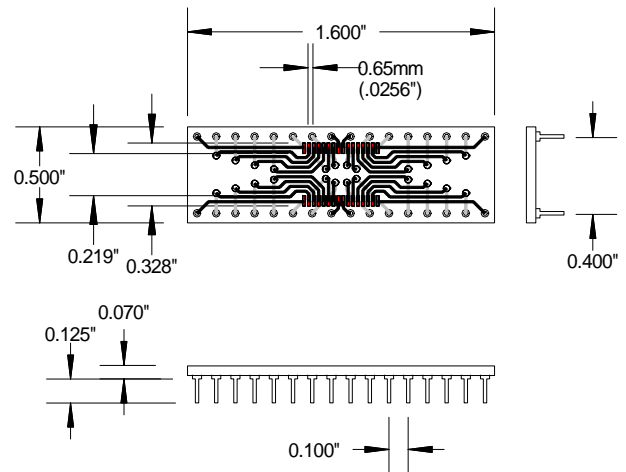
AK30D400-SSOP

30 PIN SSOP & TSOP TO DIP



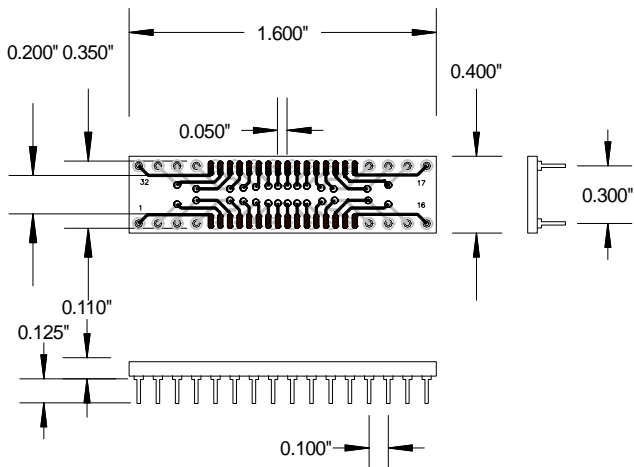
AK32D400-SSOP

32 PIN SSOP & TSOP TO DIP



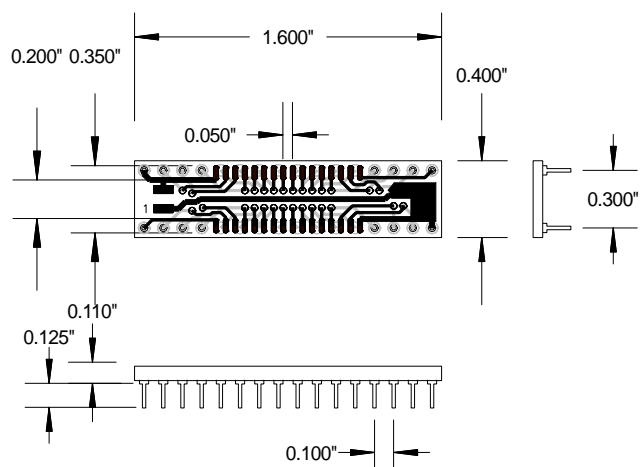
AK32D300-SOJ

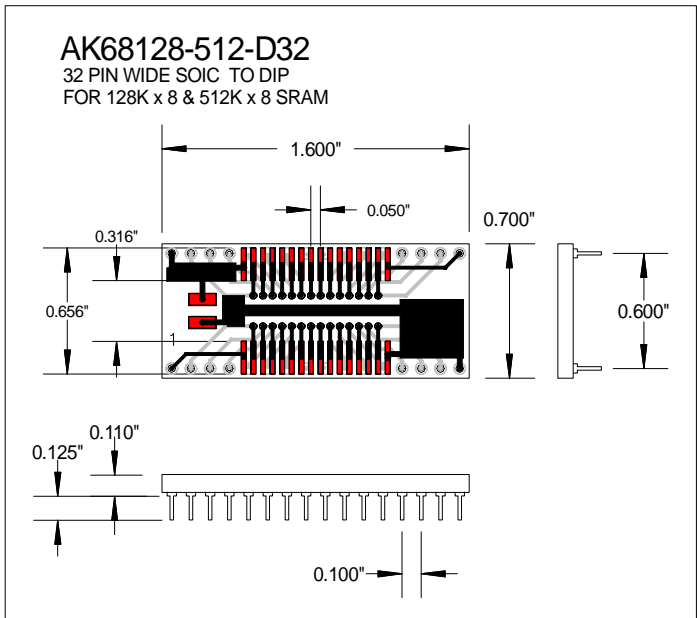
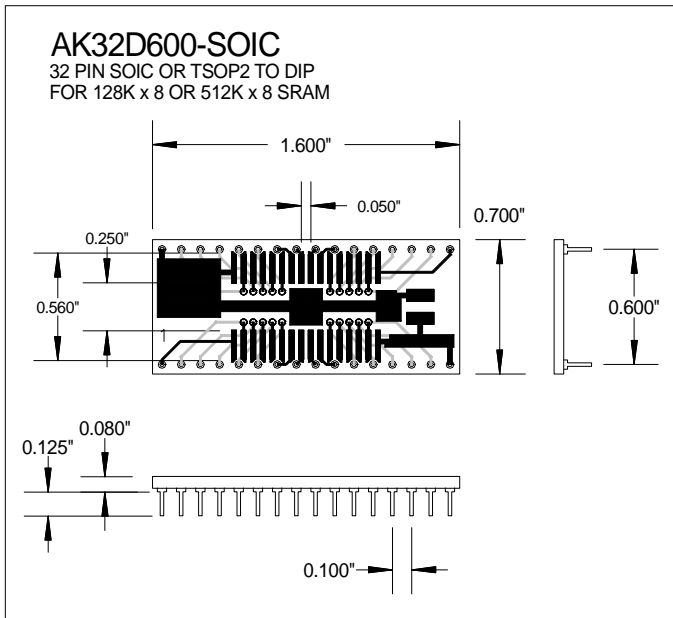
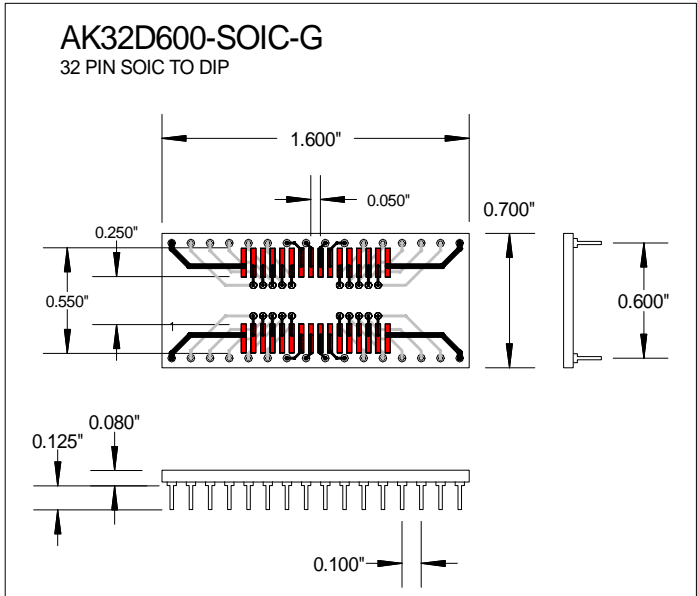
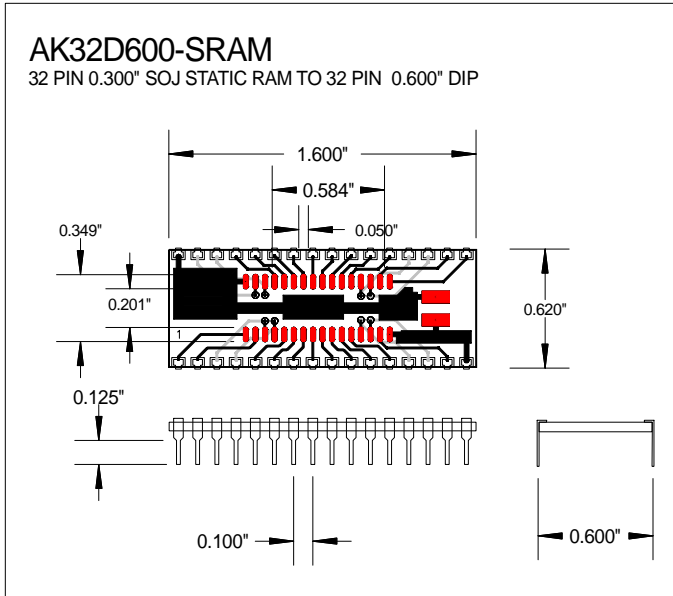
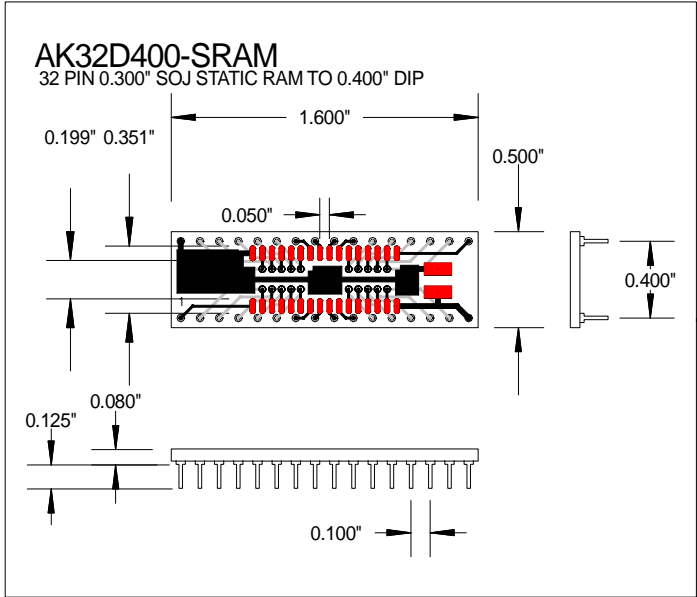
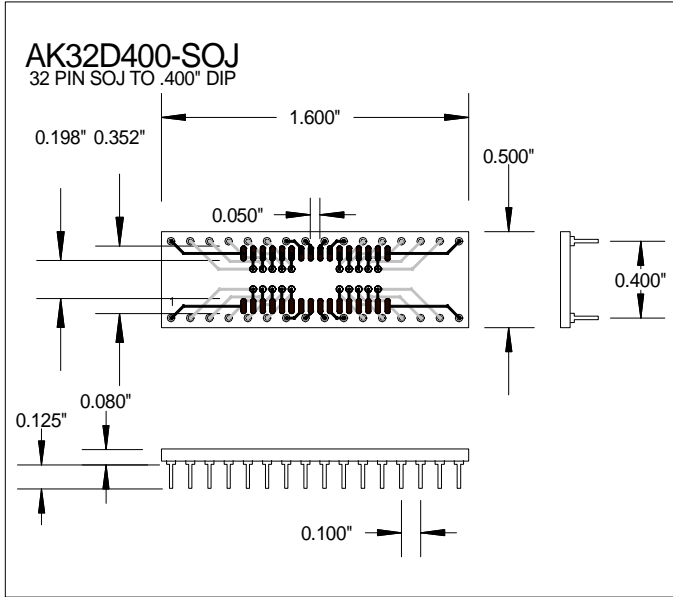
32 PIN SOJ TO .300" DIP



AK32D300-SRAM

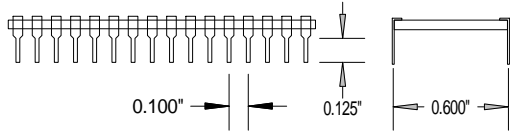
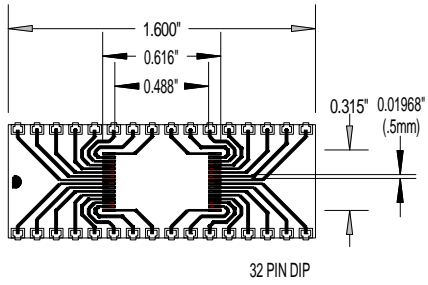
32 PIN SRAM SOJ TO .300" DIP





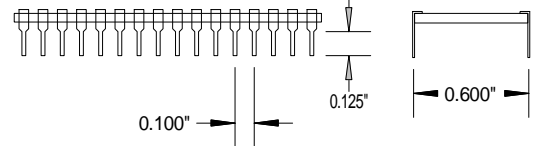
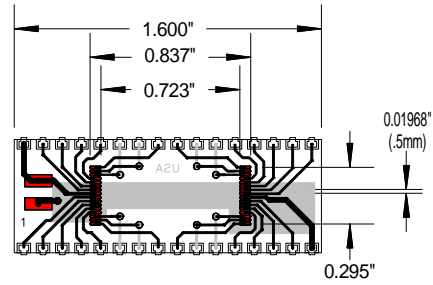
AK32D600-NTSOP

32 PIN TYPE 1 NARROW TSOP TO DIP



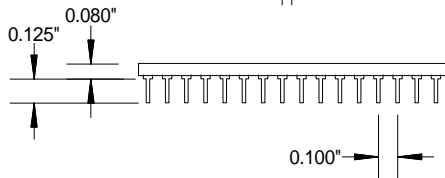
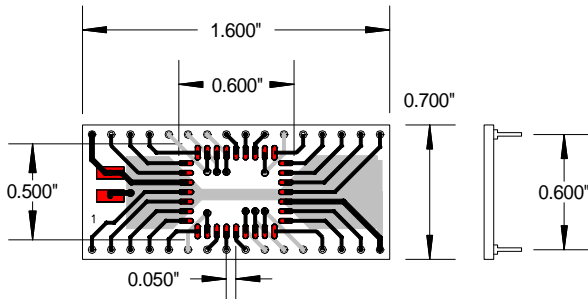
AK32D600-TSOP

32PIN TYPE 1 WIDE TSOP TO DIP
ACCOMMODATES SRAM OR FLASH CHIPS



AK32DW600-PLCC

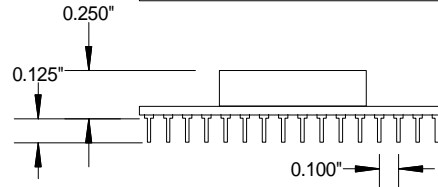
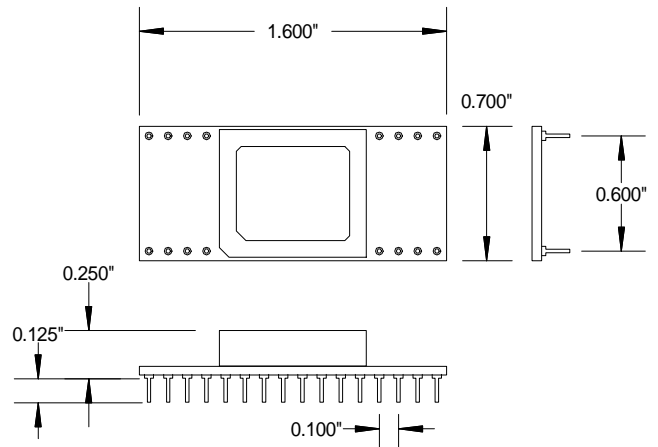
32 PIN PLCC TO DIP (MACHINED PINS)



AK32DWS600-PLCC

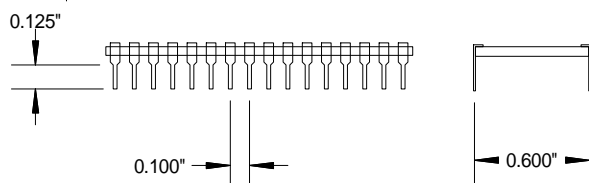
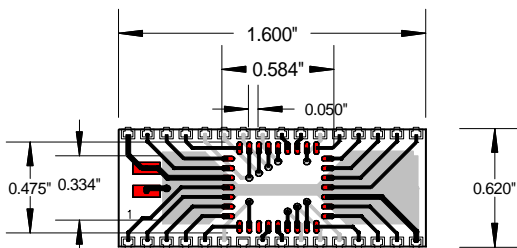
(with PLCC Socket included)

32 PIN PLCC SOCKET TO DIP



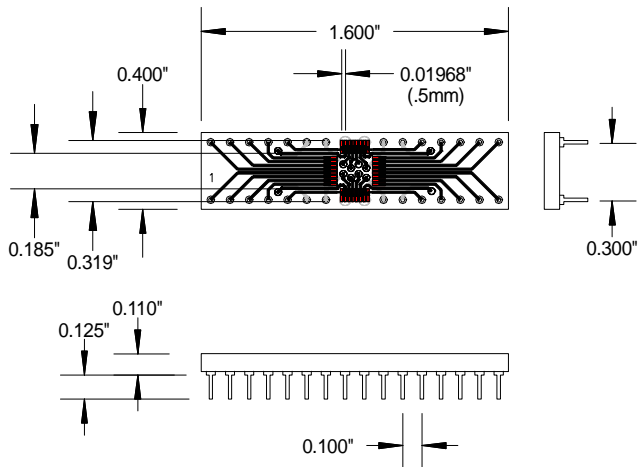
AK32D600-PLCC

32 PIN PLCC TO 32 PIN DIP FLAT PINS



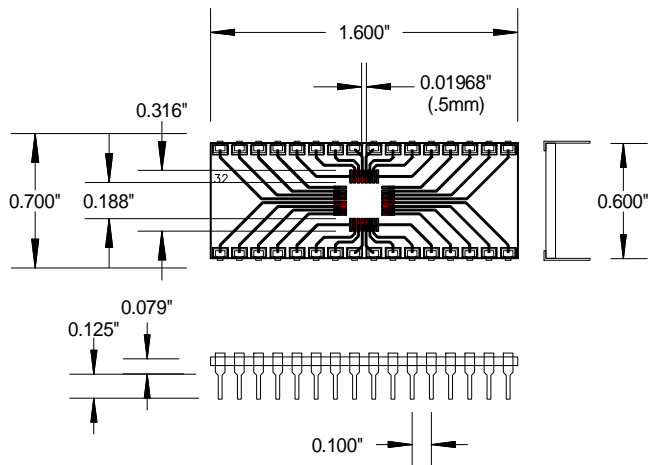
AK32D300-QFP5X5

32 PIN QFP 5x5mm TO DIP300



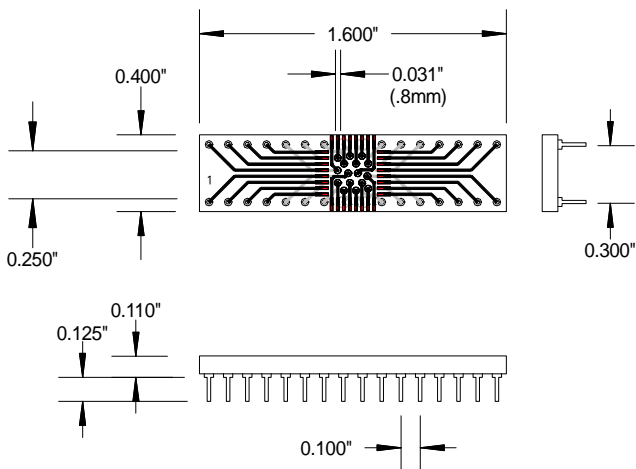
AK32D600-QFP5X5

32 PIN 0.5mm PITCH QFP 5x5mm TO DIP600



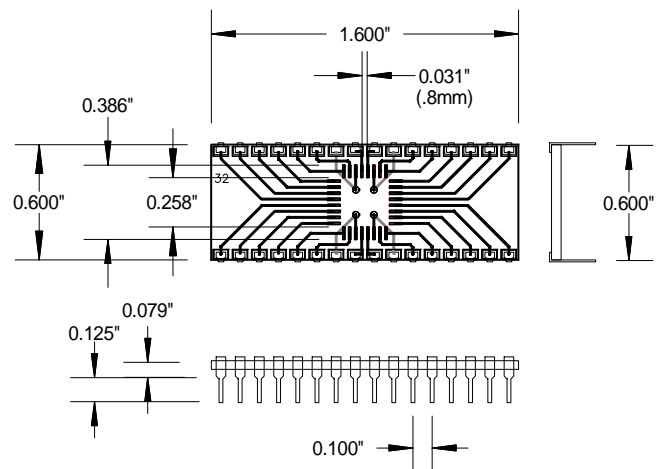
AK32D300-QFP7X7

32 PIN QFP 7x7mm TO DIP300



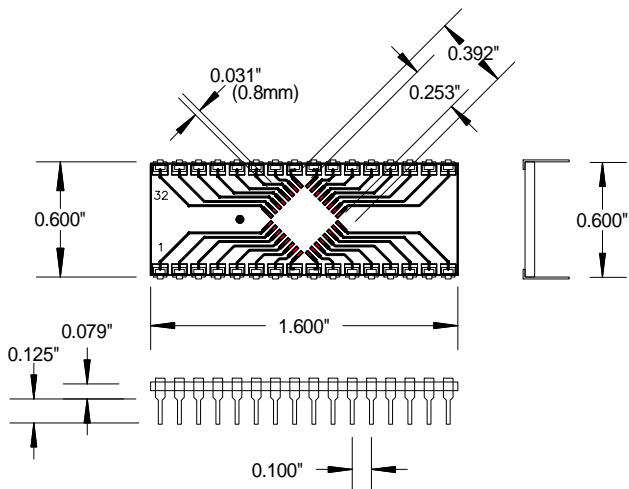
AK32D600-QFP7X7

32 PIN 0.8mm PITCH QFP 7x7mm TO DIP600



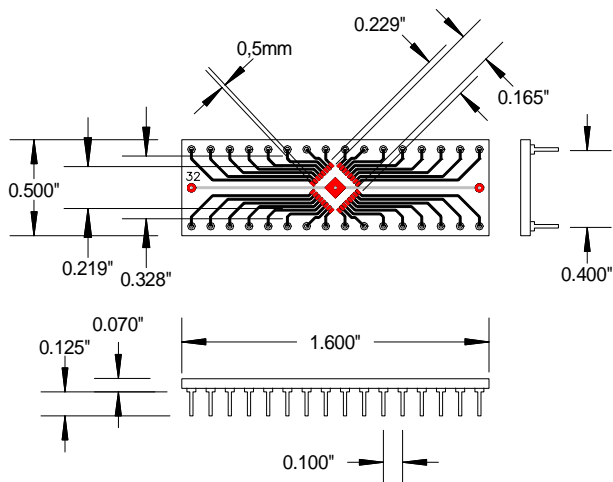
AK32D600-QFP7X7-A1-1

32 PIN 0.8mm PITCH QFP 7x7mm TO DIP600



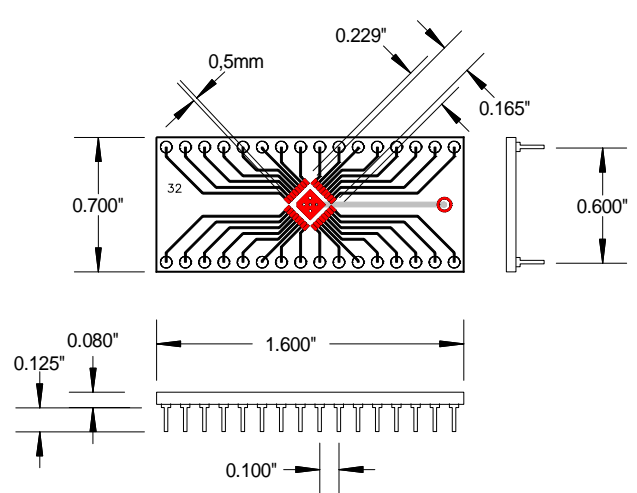
AK32D400-QFN5X5 .5MM

32 PIN QFN/MLP5X5 .5MM PITCH TO DIP



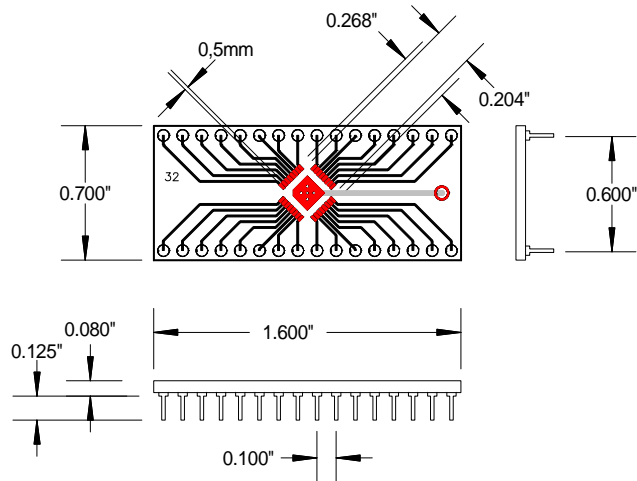
AK32D600-QFN/MLP 5X5

5MM-32 PIN QFN/MLP 0.5MM PITCH TO 0.600" DIP



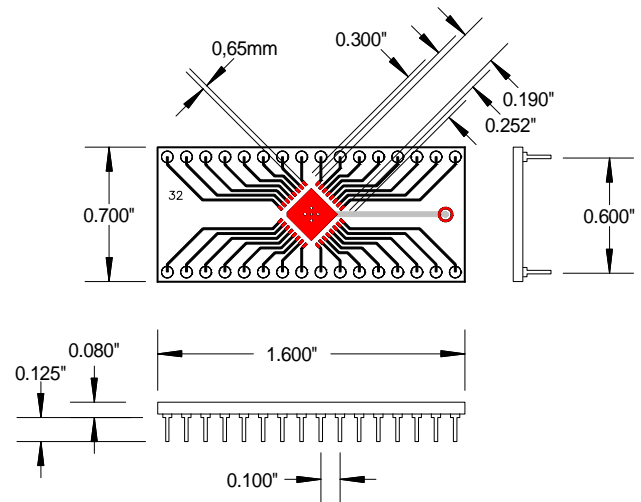
AK32D600-QFN/MLP 6X6

6MM-32 PIN QFN/MLP 0.5MM PITCH TO 0.600" DIP



AK32D600-QFN/MLP 7X7

7MM-32 PIN QFN/MLP 0.65MM PITCH TO 0.600" DIP



AK32D600-QFN 7X7

32 PIN 7X7 0,65mm PITCH QFN TO 0.600" DIP

