

SPECIFICATION

Part No. : **FG.YAGI.05**

Product Name : **2.4 GHz YAGI Pole Mount Grid Antenna**

Dimensions : 670mm*95.5mm*80mm



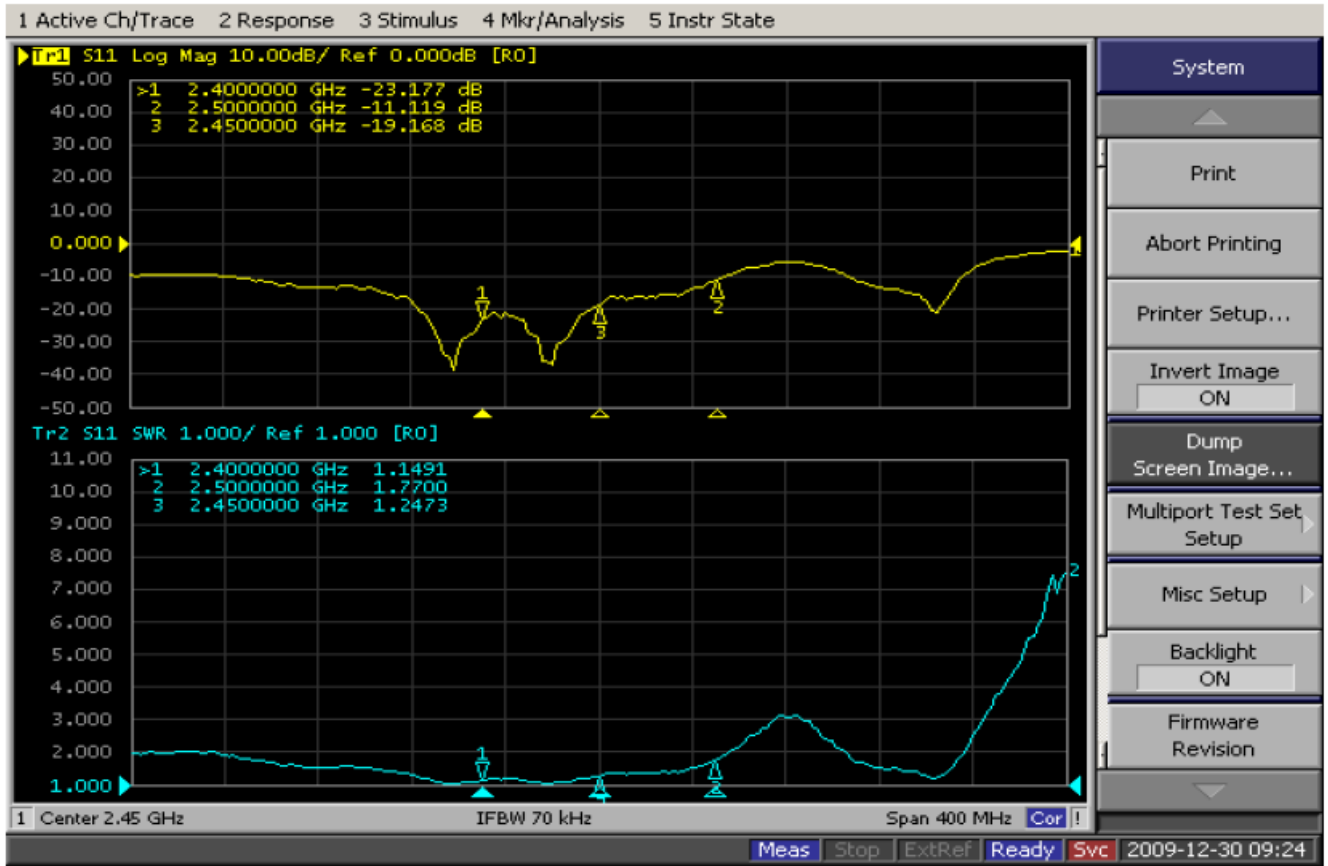
1. Electrical Properties

No.	Parameter	Specification
1	Communication System	Wireless LAN
2	Frequency Band	2.4 – 2.5 GHz
3	VSWR	< 1.5:1
4	Gain	16 dBi
5	Impedance	50 Ohm
6	Bandwidth	100MHz
7	Polarization	Vertical/Horizontal
8	Max Input Power	50w
9	Horizontal Beamwidth	28°
10	Vertical Beamwidth	28°
11	Connector	N Type Female
12	Cable	RG-142 450mm

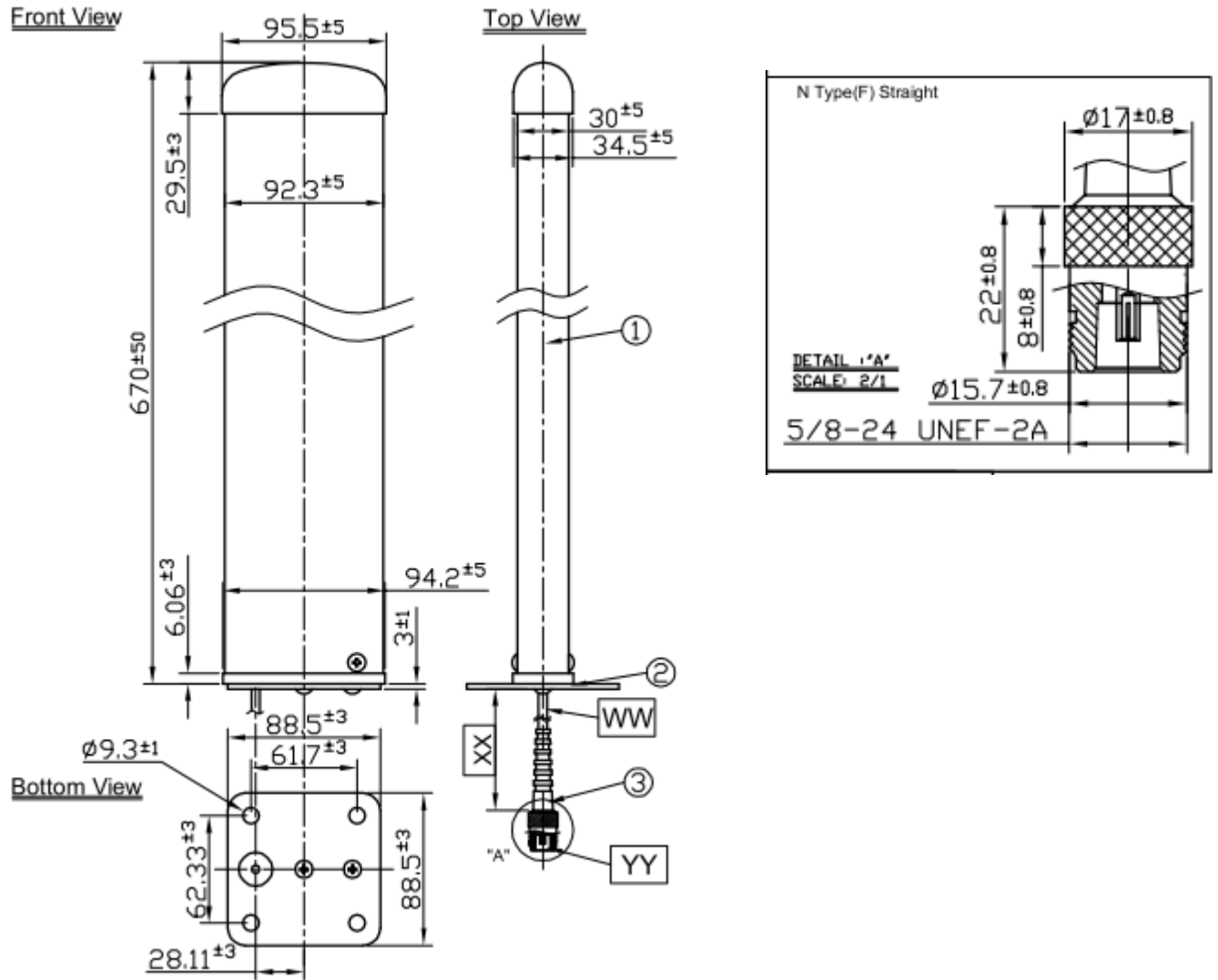
2. Mechanical Properties

No.	Parameter	Specification
1	Length (mm)	670
2	Diameter (mm)	94.2
3	Weight (g)	1000
4	Wind Load	120km/h
5	Radome Material	ABS + UV resistance
6	Operating Temperature	-40°C to +80°C
7	Light Port	DC Grounded
8	RoHS Compliant	Yes

3. Return Loss and VSWR



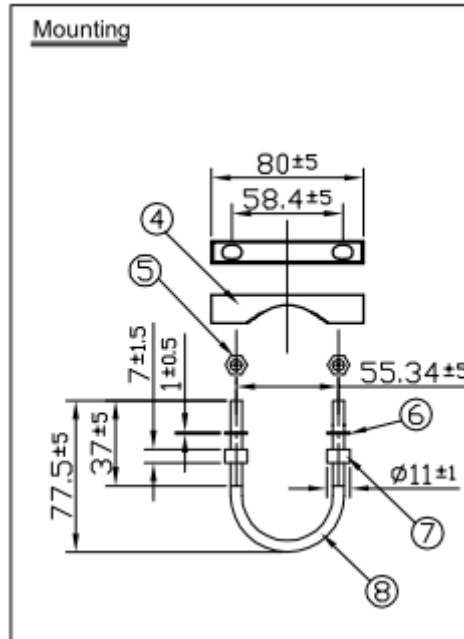
4. Drawing



	Name	P/N	Material	Finish	QTY
①	Housing Top	000112D000023A	ABS	Milky	1
②	Housing Bottom	000512D000023A	Al	Clear	1
③	Bushing	000712D000023A	Rubber	Black	1
④	Mounting	000512D010023A	SUS	Clear	2
⑤	Nut	000412D030023A	Steel	Ni Plated	4
⑥	Washer-1	000412D040023A	Steel	Ni Plated	4
⑦	Washer-2	000412D050023A	Steel	Ni Plated	4
⑧	U Type Screw	000412D060023A	SUS	Clear	2

	Name	P/N	Spec	Finish	QTY
WW	Cable Type	302812D000023A	RG142	Brown	1
XX	Cable Length		500mm±60		1
YY	Connector Type	201212D000023A	N Type	Ni Plated	1

4.1 Mounting Drawing



5. Radiation Pattern

