

TCXO CRYSTAL

5.0 X 3.2mm Surface Mount TCXO Crystal



Absolute Maximum Ratings

Table 1.0

Parameter	Units	Minimum	Nominal	Maximum	Units	Note
Storage Temperature		-55	-	125	°C	

Electrical Specifications

Table 2.0

Parameter		Minimum	Nominal	Maximum	Units	Note
Center Frequency	(Fo)	14.4	-	40	MHz	
Frequency Calibration @ 25°C		-15	-	15	ppm	
Frequency vs. Temperature Stability	(Tc)	-20	-	20	ppm	
Worst Case Deviation		-0.5	-	0.5	ppm	1
Operating Temperature Range		-40	-	85	°C	
Mode			Fundamental			
Shunt Capacitance	(Co)	-	-	5.0	pF	
Motional Capacitance	(Cm)	5.0	-	-	fF	
Equivalent Series Resistance	(Rs)	-	-	25	Ohm	
Load Capacitance	(CL)	-	9.5	-	pF	
Drive Level		-	-	100	u Watts	

Package Characteristics

Table 3.0

Package	Hermetically Sealed Ceramic Package.
Leakage	0.01ppm atm. cc/sec. maximum

Notes.

- 1) +/-0.28ppm available upon request.

93640-XXXX Series

DESCRIPTION

The Connor-Winfield 93640-xxxx Series are small Surface Mount Crystals specifically designed for use in VCTCXO's / TCXO's Oscillators. The surface mount package is designed for high-density mounting and is optimum for mass production.

SCHEMATIC



MARKING INFORMATION

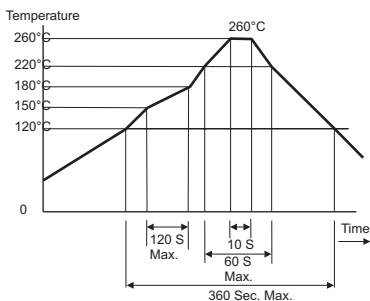
Marking	Table 4.0
Line 1	CW / Date Code CW YYWW
Line 2	Model Number 93640-xxxx
Line 3	Pin 1 Indicator / Frequency * xxx.xM

PAD CONNECTIONS

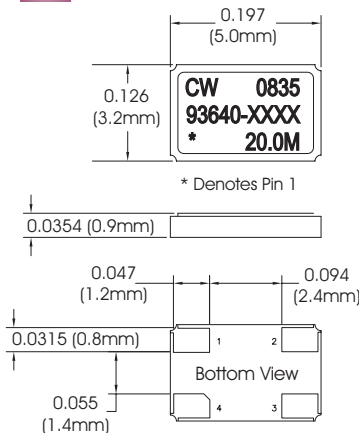
Table 5.0

Pad	Connection
1	Crystal Connection
2	N/C Case Ground
3	Crystal Connection
4	N/C Case Ground

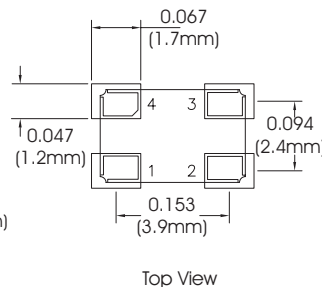
SOLDER PROFILE



PACKAGE LAYOUT



SUGGESTED PAD LAYOUT



FEATURES

- FUNDAMENTAL MODE CRYSTAL
- TEMPERATURE STABILITY: ± 20 ppm
- WORST CASE DEVIATION: ± 0.5 ppm
- TEMPERATURE RANGE: -40 to 85°C
- SURFACE MOUNT PACKAGE
- TAPE AND REEL PACKAGING
- RoHS COMPLIANT / LEAD FREE

ORDERING INFORMATION

93640-XXXX - 020.0M
CRYSTAL SERIES - CENTER FREQUENCY

Specifications subject to change without notice.