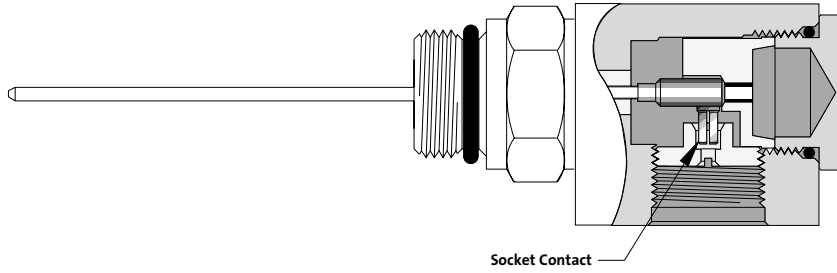
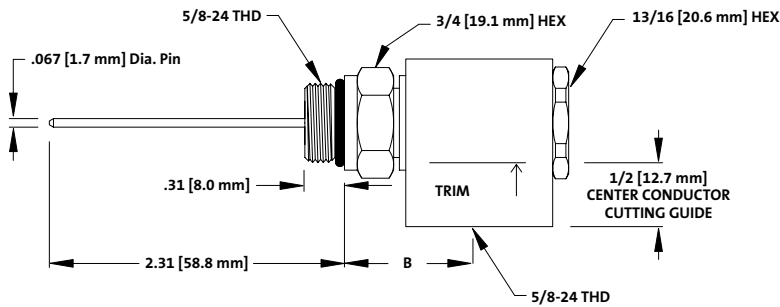


90 Degree Socket Contact Adapters



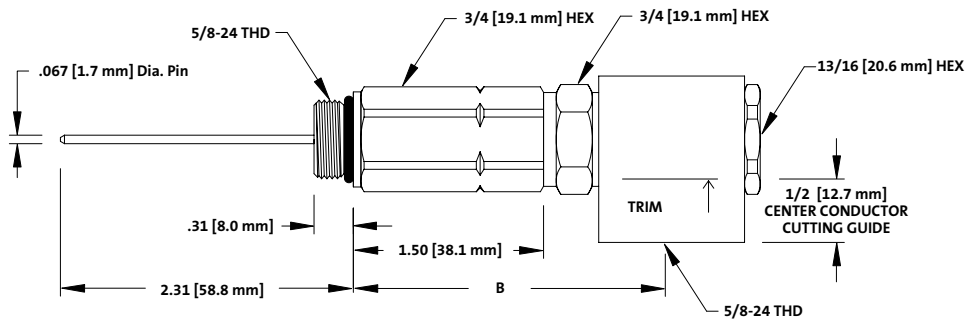
Socket Contact Adapters

- Beryllium copper socket contact design accepts pin diameter from .065 to .075 in. [1.65 to 1.90 mm].
- Bright acid tin plated brass pin.
- AC power rating: 15 amps continuous.
- Return loss: >30 db to 1 GHz.
- KS male and KS female ports meet SCTE interface practice standards.
- Body manufactured from ASTM 6262 aluminum alloy with chromate conversion coating.



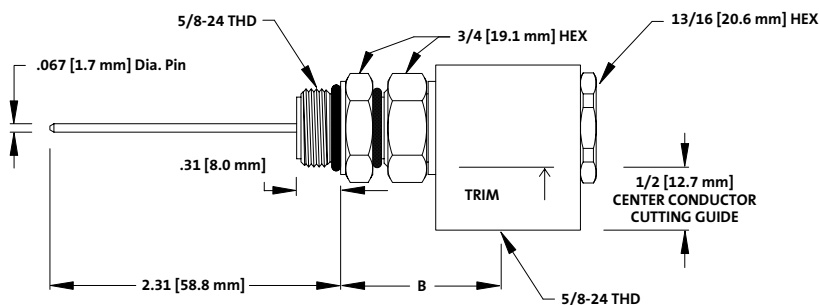
90° Socket

Part Number	(B)
GL-90-SC-T	1.00
Accepts .065 [1.7mm] thru .075 [1.9mm] pin dia.	



90° Socket Ext.

Part Number	(B)
GL-90-SC-w/1.5-T	2.46
GL-90-SC-w/3-T	3.96
GL-90-SC-w/4.5-T	5.46
GL-90-SC-w/6-T	6.96
GL-90-SC-w/9-T	9.96
Accepts .065 [1.7mm] thru .075 [1.9mm] pin dia.	



90° Socket Swivel

Part Number	(B)
GL-90-SC-S-T	1.29
Accepts .065 [1.7mm] thru .075 [1.9mm] pin dia.	