

## “F” Female Test Adapter



This product is designed to allow extraction of test signals and AC power from a female KS interface. The contact probe is spring loaded axially to accommodate a wide range of seizure mechanisms and dimensions. The 5/8" male interface employs a beryllium copper quick disconnect interface to eliminate threading. This allows quick insertion or removal. The female "F" connector has machined contacts for improved RF performance and maximum center conductor contact. This product passes AC power and can be used for a temporary voltage test point.

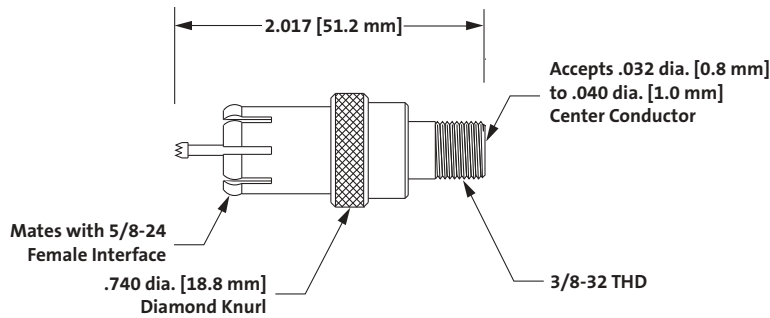
### “F” Female Test Adapter

**Part Number**  
NS-9178-1

#### Product Application

##### Features:

- Spring loaded (axially) gold plated center conductor contact
- 5/8" quick disconnect outer contact design of bright alloy plated beryllium copper
- Designed for rapid insertion and removal
- Machined contacts in "F" female interface
- Passes AC power & RF signals

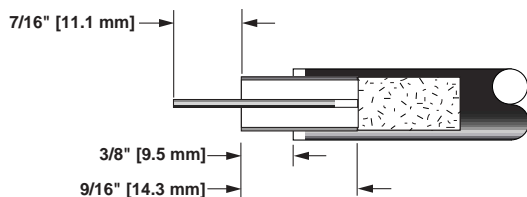
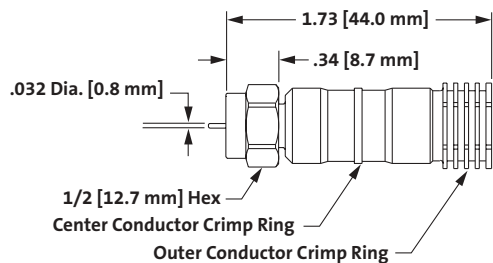


## 320 QR (MDU 320) Crimp Connector



The patented GAF-360-320-QR is a crimp style male "F" connector that provides a circular seal to the cable outer conductor and jacket. Before crimping, this unique patented crimp ring is hex shaped on the outside with a round bore. After crimping, this bore remains round providing a 360 degree contact to the cable. This connector has a separate external crimp to seize the pin to the center conductor of the cable. This provides a highly reliable connection between the integral pin and cable center conductor. Connector installation requires coring of the cable. See preparation dimensions below.

For outdoor use, this connector should be used in combination with the Corning Gilbert Seal Ring (G-SR-1/2). This seal ring has been designed to work in conjunction with a standard outdoor "F" female port (SCTE-IPS-SP-400) to insure moisture integrity.



## 320 QR (MDU 320) Crimp Connector

**Part Number**  
GAF-360-320-QR

#### Product Application

##### Features:

- Patented Gilbert 360 crimp design
- Integral pin
- Free spinning sealed nut design (Patent Pending)
- Cadmium plated brass body
- Small profile for use in confined areas.
- Uses G-CRT-41Q crimp tool (.452" hex crimp)
- Uses G-SCT-F320-QR Cable coring tool
- "F" male interface meets SCTE-IPS-SP-401 requirements