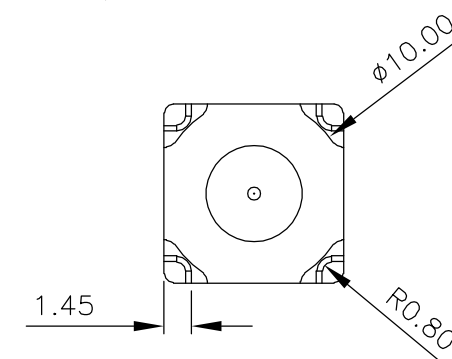
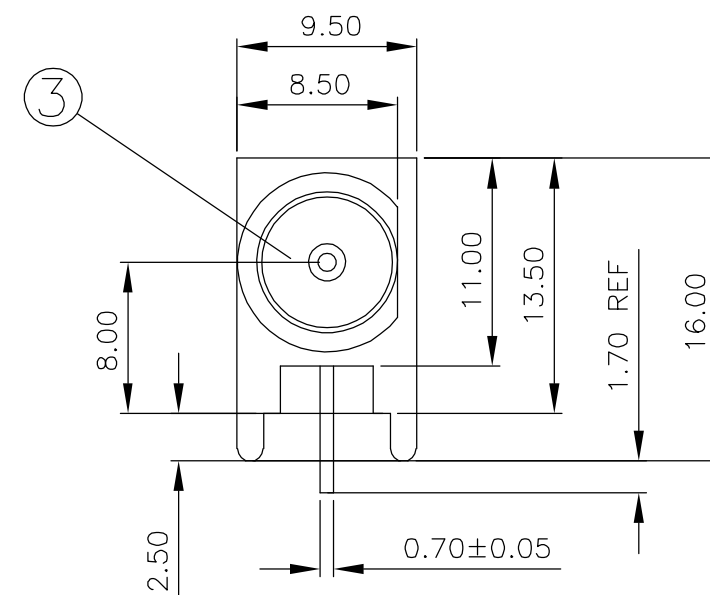
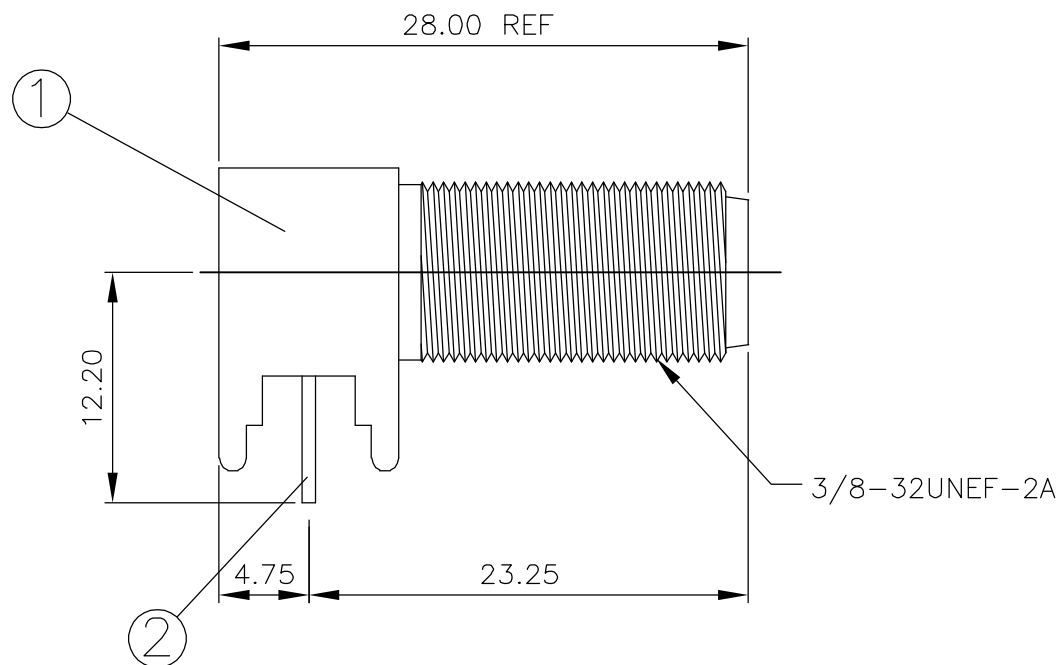


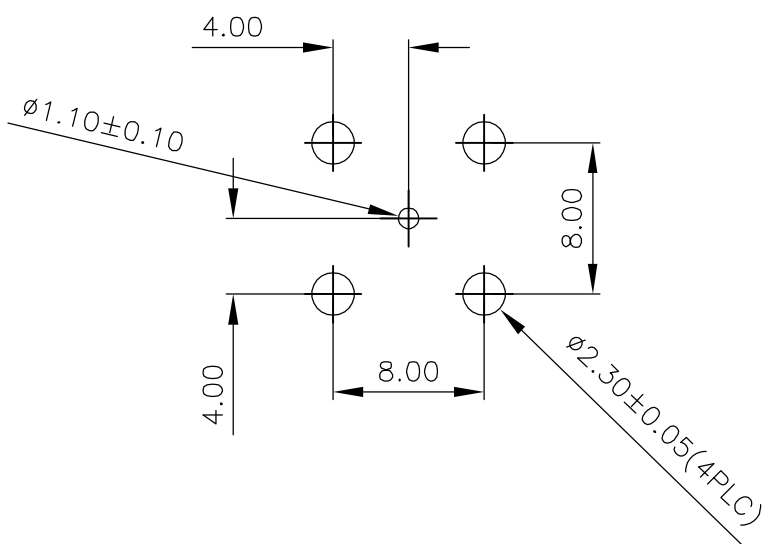
LOC	DIST	REVISIONS					
E	B	P	LTR	DESCRIPTION	DATE	DWN	APVD
		A		EBD0-0122-04	04MAR04	JMS	FWK

NOTES

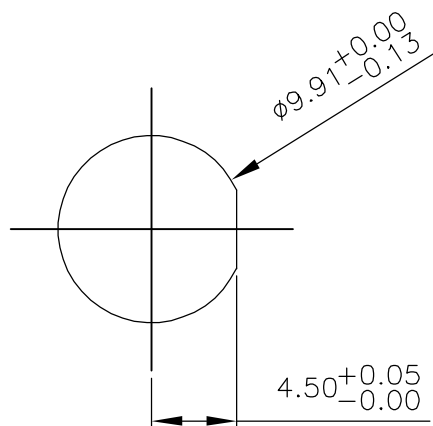
- ① 100 TRAY PACK IN ACCORDANCE WITH AMP SPEC 107-3275
- ② SINGLE PACK IN ACCORDANCE WITH AMP SPEC 107-3275
- ③ 1.27µm TIN PLATING OVER 0.76µm Cu PLATING
- ④ 1.27µm Ni PLATING OVER 0.76µm Cu PLATING



RECOMMENDED PCB LAYOUT WITH MOUNTING POSTS



RECOMMENDED MOUNTING HOLE



						1	1	POLYETHYLENE	INSULATOR	3
						1	1	PHOS BRONZE	③ CONTACT	2
						1	1	ZINC ALLOY	④ BODY	1
						5--1	5--0	MATERIAL	DESCRIPTION	ITEM
						②	①			
QUANTITY PER ASSY							PARTS LIST			

THIS DRAWING IS A CONTROLLED DOCUMENT.		DWN J.SANDWELL 04MAR04	 Tyco Electronics Corporation Bideford, UK, EX39 4HE													
DIMENSIONS: MM		CHK S.PARLOW 04MAR04														
TOLERANCES UNLESS OTHERWISE SPECIFIED:		APVD F.WHEELER-KING 04MAR04	NAME F SERIES CONNECTOR ELBOW JACK PCB													
<table border="1"> <tr><td>0 PLC</td><td>± -</td></tr> <tr><td>1 PLC</td><td>± -</td></tr> <tr><td>2 PLC</td><td>± -</td></tr> <tr><td>3 PLC</td><td>± -</td></tr> <tr><td>4 PLC</td><td>± -</td></tr> <tr><td>ANGLES</td><td>± -</td></tr> </table>		0 PLC	± -	1 PLC	± -	2 PLC	± -	3 PLC	± -	4 PLC	± -	ANGLES	± -	PRODUCT SPEC -	SIZE A3	
0 PLC	± -															
1 PLC	± -															
2 PLC	± -															
3 PLC	± -															
4 PLC	± -															
ANGLES	± -															
MATERIAL -		FINISH -	APPLICATION SPEC -	CAGE CODE 00779												
		WEIGHT -	RESTRICTED TO -	DRAWING NO C-1634540												
CUSTOMER DRAWING			SCALE NTS	SHEET 1 OF 1												
			REV A													