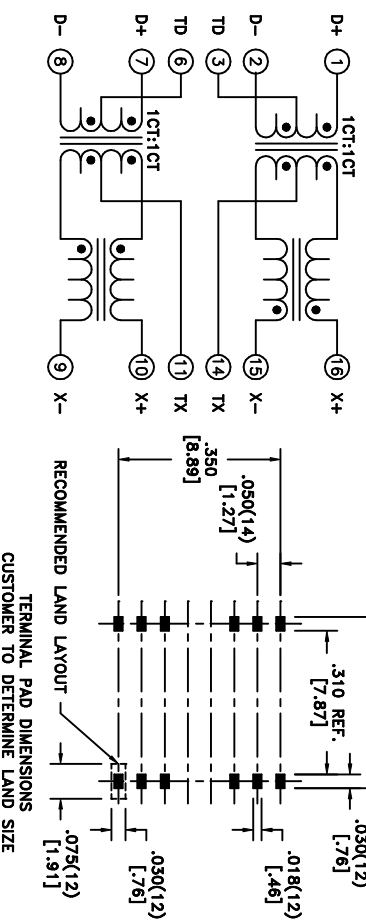
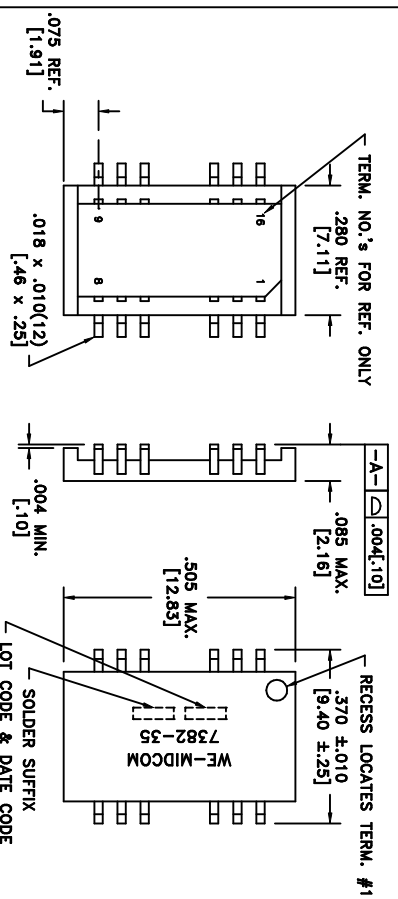


SOLDER SUFFIX	CUSTOMER TERMINAL	ROHS	LEAD(Pb)-FREE
LF1	Sn63%, Pb37%	No	No
	Sn85%, Ag4%	Yes	No



**ELECTRICAL SPECIFICATIONS @ 25°C unless otherwise noted:**

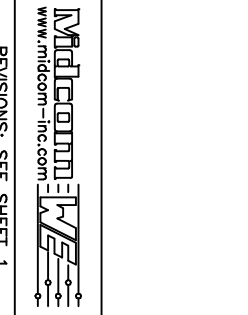
- INDUCTANCE: 360nH min., 100kHz, 100mV, 8mADC, 16-15; 10-9, 1p.
- DIELECTRIC RATING: 1500Vrms, 1 minute tested by applying 1800Vrms for 1 second between 1-16 (the 1+8, 9+16).
- TERNS RATIO & POLARITY: Per schematic.
- INSERTION LOSS: -1.0dB max., 300k - 125MHz.
- RETURN LOSS: -18dB min., 1M - 40MHz.  
-15dB min., 40M - 60MHz.  
-12dB min., 60M - 80MHz.  
-10dB min., 80M - 100MHz.
- CROSSSTALK: -35dB min., 1M - 150MHz.
- COMMON MODE REJECTION: -42dB min., 1M - 32MHz.  
-33dB min., 32M - 150MHz.
- OPERATING TEMPERATURE RANGE: 0°C to +70°C.
- COPLANARITY: All 12 terminals must lie on a plane within .004 [0.10] of Surface A after lead tinning.
- Midcom p/n 000-7382-35R-LF1 is eISos p/n: 749020100.

REV.	DATE
6F	8/08
6E	6/08
6D	6/07
6C	3/06
6B	2/06

Method: Tape & Reel  
 PKG-0362  
 www.midcom-inc.com

Unless otherwise specified:  
 Tolerances: Fractions: ±1/64  
 Angles: ±1° Decimals: ±.005[.127]  
 This drawing is dual dimensioned. Dimensions in brackets are in millimeter(s)

**TRANSFORMER**  
 AEDFP-G16



DRAWING NO. 000-7382-35R-LF1  
 SCALE ---  
 SHEET 2 OF 9

