

# ADAM TECH

ADAM TECHNOLOGIES INC.

# AC INLET/OUTLET

## IEC 320 CONNECTORS

### IEC SERIES

#### INTRODUCTION:

Adam Tech IEC Series Inlet / Outlet Connectors are designed for equipment where the receptacle must be compatible with Multi-national product destinations. They are manufactured under international standards to ensure acceptance in every world market. Each design is in accordance with IEC-320 and CEE-22 specifications and has been tested and approved by every major national testing agency. This series includes PC board and panel mount versions that screw onto or snap into the panel. Each has a variety of terminations including PC tails, quick-connect terminals and solder lugs. Additional offerings of combination modules with fuse holders and/or voltage selectors make this series suitable for most applications.

#### FEATURES:

- Globally accepted
- Inlets conform to EN60-950 (B54491) outlets to IEC-950
- Economical solution for multi-national product export
- Variety of mountings and terminations

#### MATING OPTIONS:

Mates with all industry standard IEC power cord sets

#### SPECIFICATIONS:

##### Material:

Insulator: Polycarbonate rated UL 94V-0

Insulator color: Black

Contacts: Brass QQ-B-626

##### Plating:

Contacts: 50 µin bright nickel to QQ-N-290, Class 2, Grade C

Terminals: 100 µin min bright tin plate to MIL-T-10727, Type 1 with 50 µin min copper underplate to MIL-C-14550

##### Electrical:

Operation voltage: 250 VAC max

Current rating: 15 Amps max

Contact resistance: 20 mΩ max

Insulation resistance: 1000 MΩ min @ 1500 VAC between adjacent contacts (75°F and 50% R.H.)

Dielectric withstanding voltage: 1500 VAC min rms (sea level)

##### Environmental:

Operating temperature: -65°C to +125°C

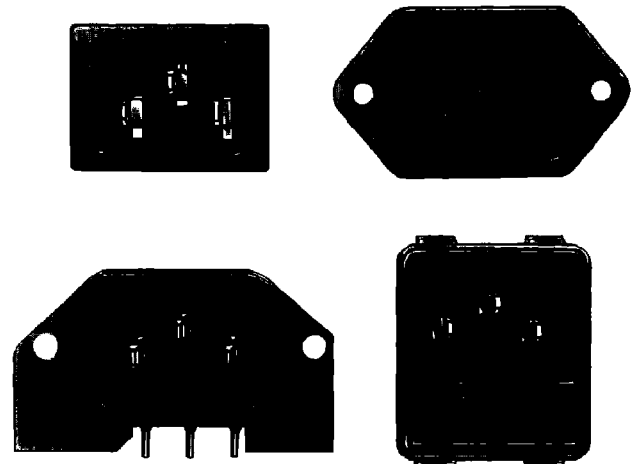
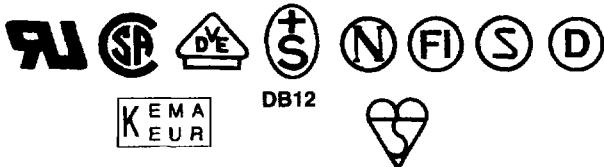
#### PACKAGING:

Anti-static plastic bags or corrugated boxes

#### APPROVALS AND CERTIFICATIONS:

Recognized under the component program of Underwriters Laboratories, Inc. No. E155862 E130225

Certified by Canadian Standards Association No. LR700969 and approved for use by VDE, SEMKO, SEV, SETI, NEMKO, DEMKO, KEMA, and BSI



#### ORDERING INFORMATION



**SERIES INDICATOR**  
IEC = International inlet/outlet



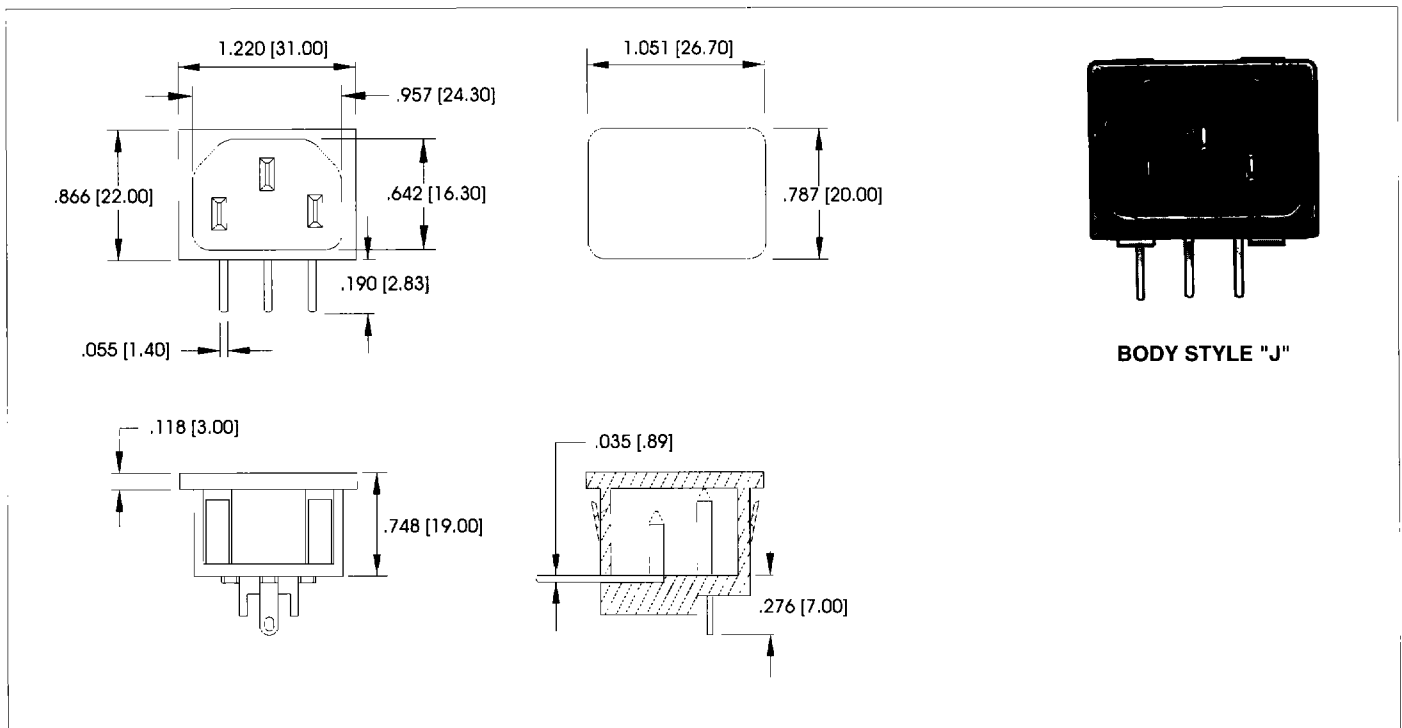
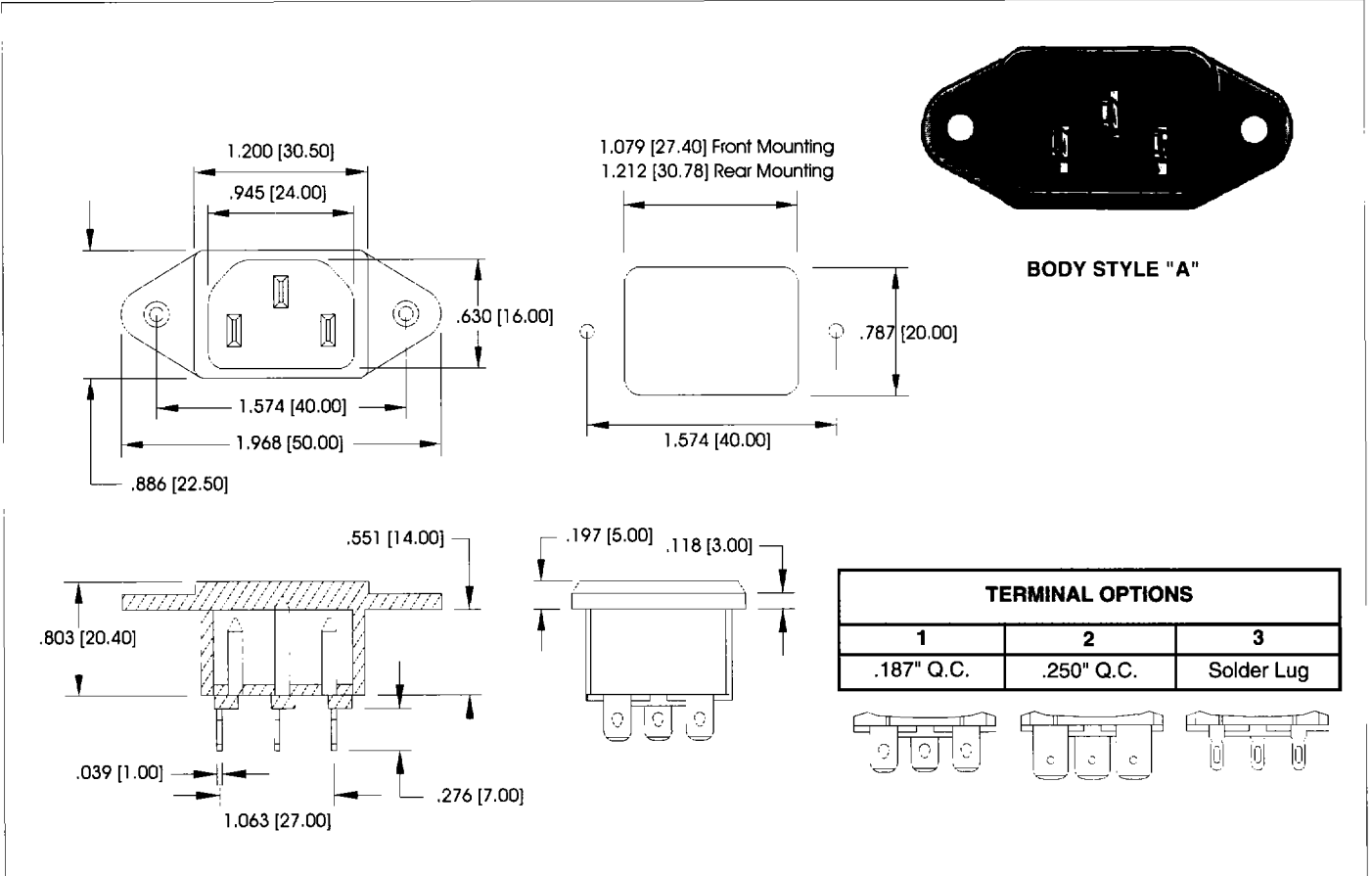
#### BODY STYLE

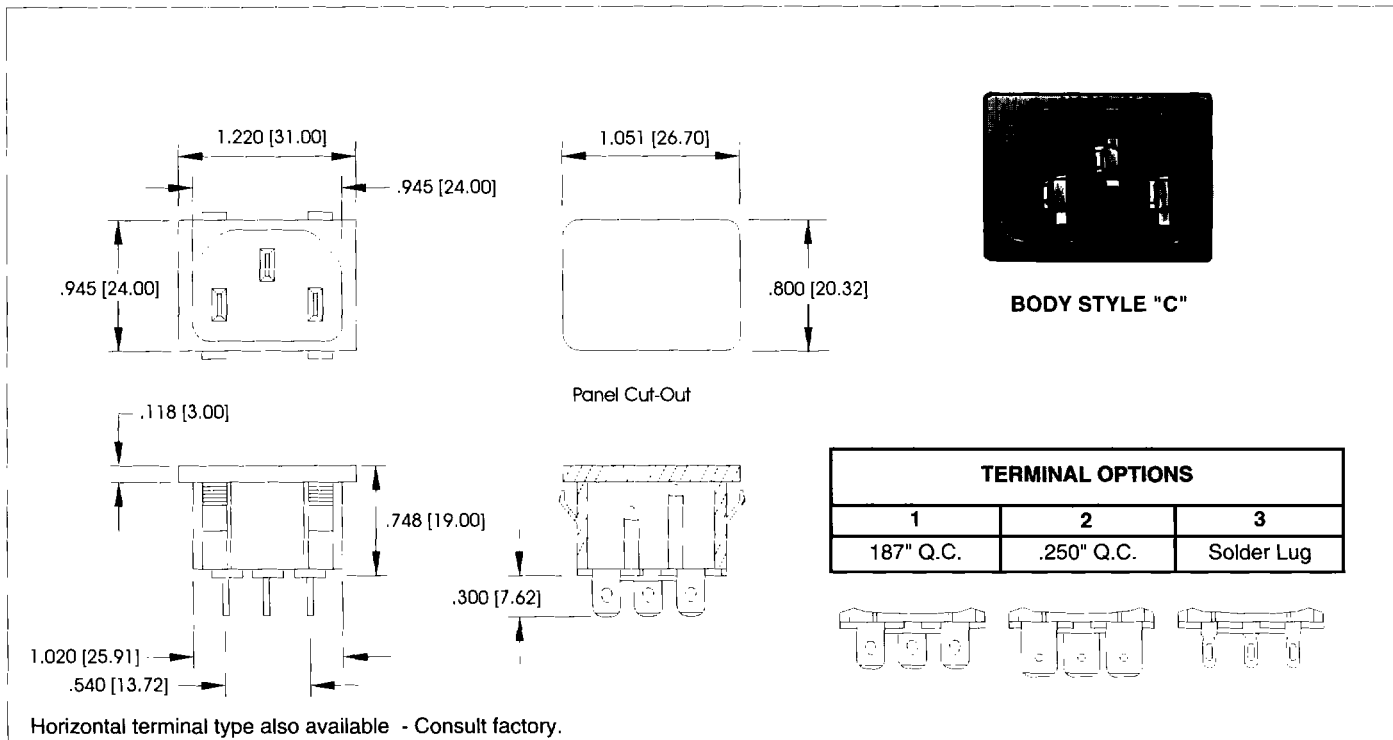
- A = Male Inlet, Screw-on panel mount
- B = Female Outlet, Screw-on panel mount
- C = Male Inlet, Snap-in panel mount
- D = Female Outlet, Snap-in panel mount
- E = Male Inlet, Right Angle PC board mount with mounting flange (Specify EW, EX, EY or EZ)
- F = Male Inlet, Screw on panel mount with 5 x 20mm fuse holder
- G = Male Inlet, Snap-in panel mount with 5 x 20mm fuse holder
- HS = Inlet/Outlet, snap-in panel mount
- HR = Inlet/outlet, snap-in panel mount, right angle PCB mount
- J = Male inlet, Right angle PCB & tail with snap-in panel mounting



#### TERMINALS

- 1 = .187" Quick-connect terminals
- 2 = .250" Quick-connect terminals
- 3 = Solder terminals (4.0mm)
- 4 = Right Angle PC board mount



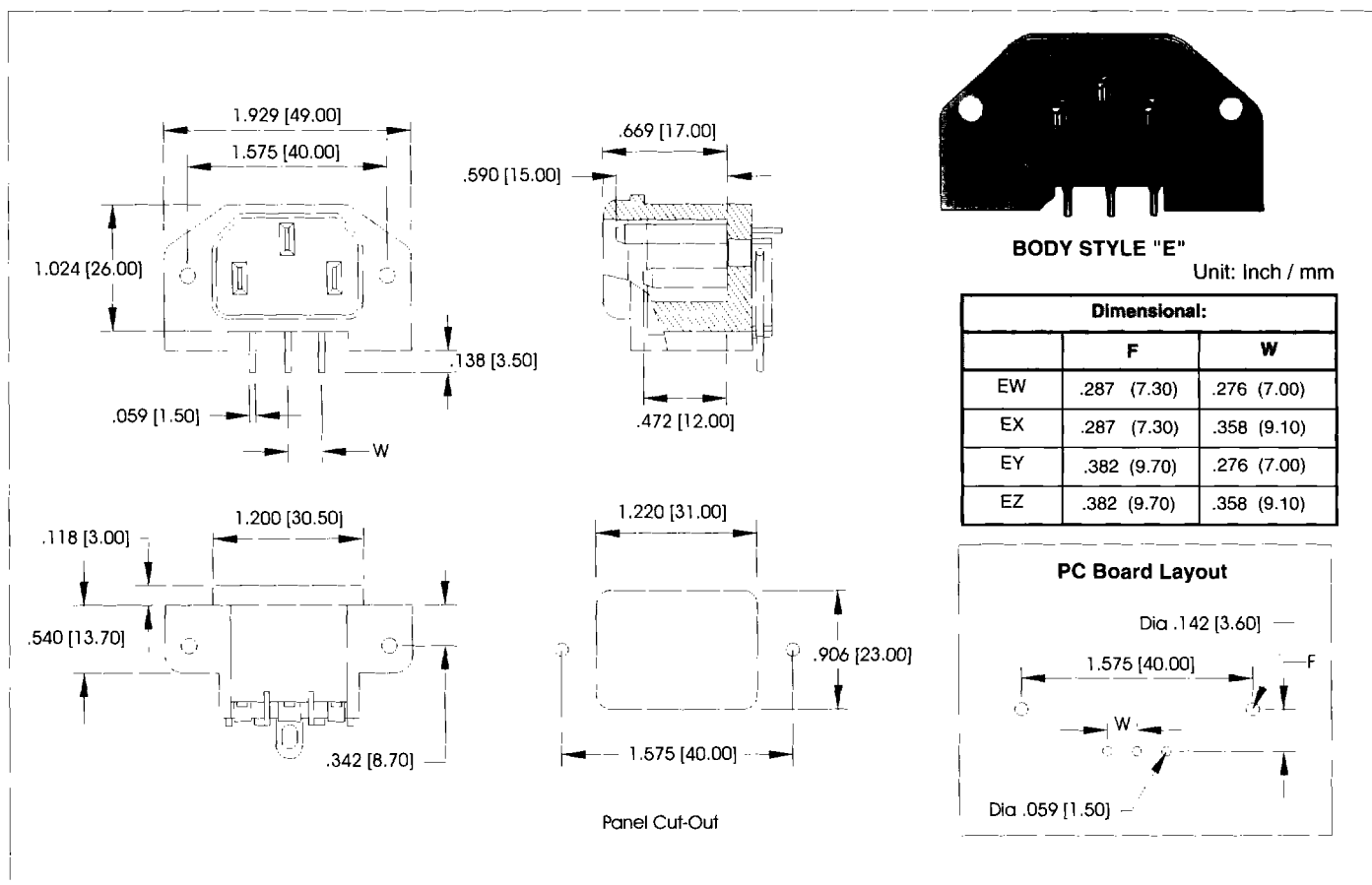


**Panel Cut-Out**

**TERMINAL OPTIONS**

1	2	3
187" Q.C.	.250" Q.C.	Solder Lug

Horizontal terminal type also available - Consult factory.



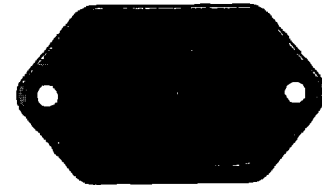
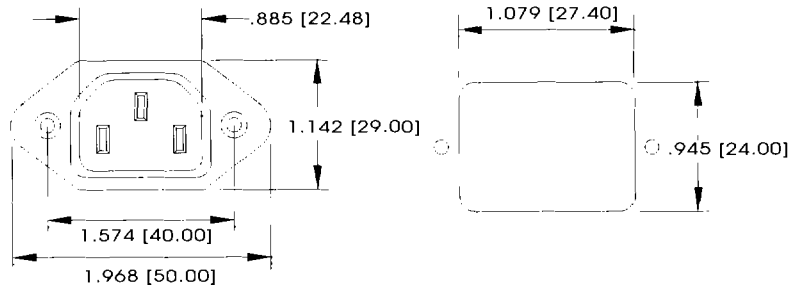
**Panel Cut-Out**

**PC Board Layout**

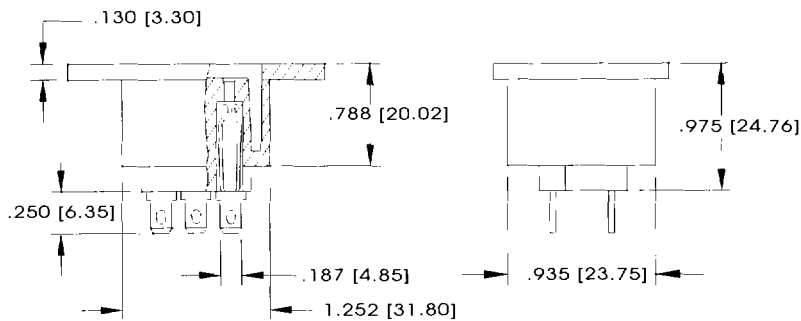
Unit: Inch / mm

**Dimensional:**

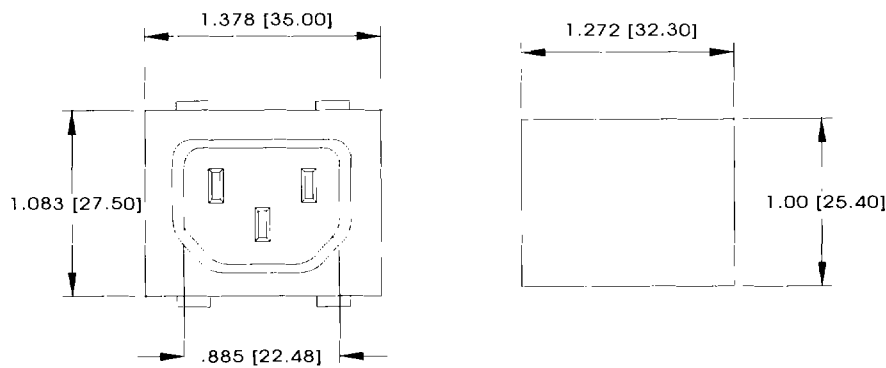
	F	W
EW	.287 (7.30)	.276 (7.00)
EX	.287 (7.30)	.358 (9.10)
EY	.382 (9.70)	.276 (7.00)
EZ	.382 (9.70)	.358 (9.10)



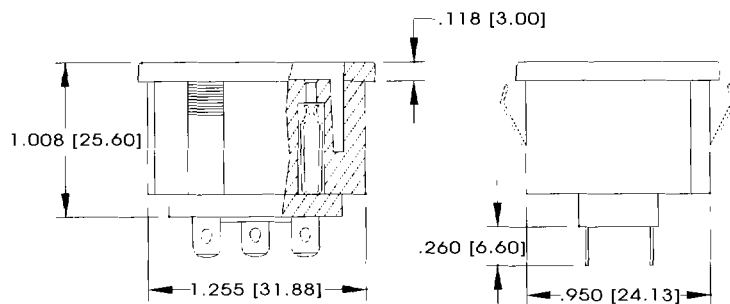
BODY STYLE "B"



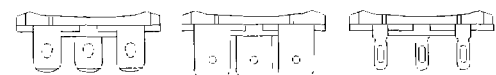
TERMINAL OPTIONS		
1	2	3
.187" Q.C.	.250" Q.C.	Solder Lug

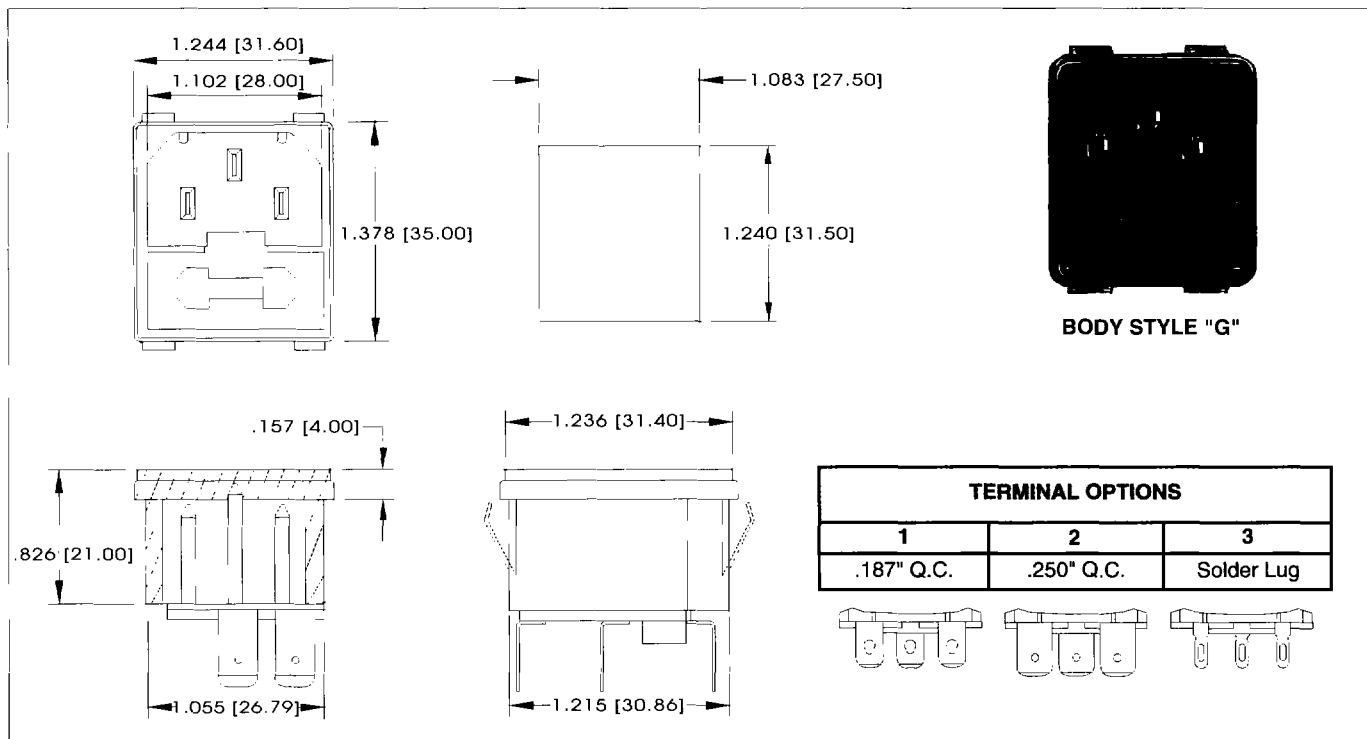
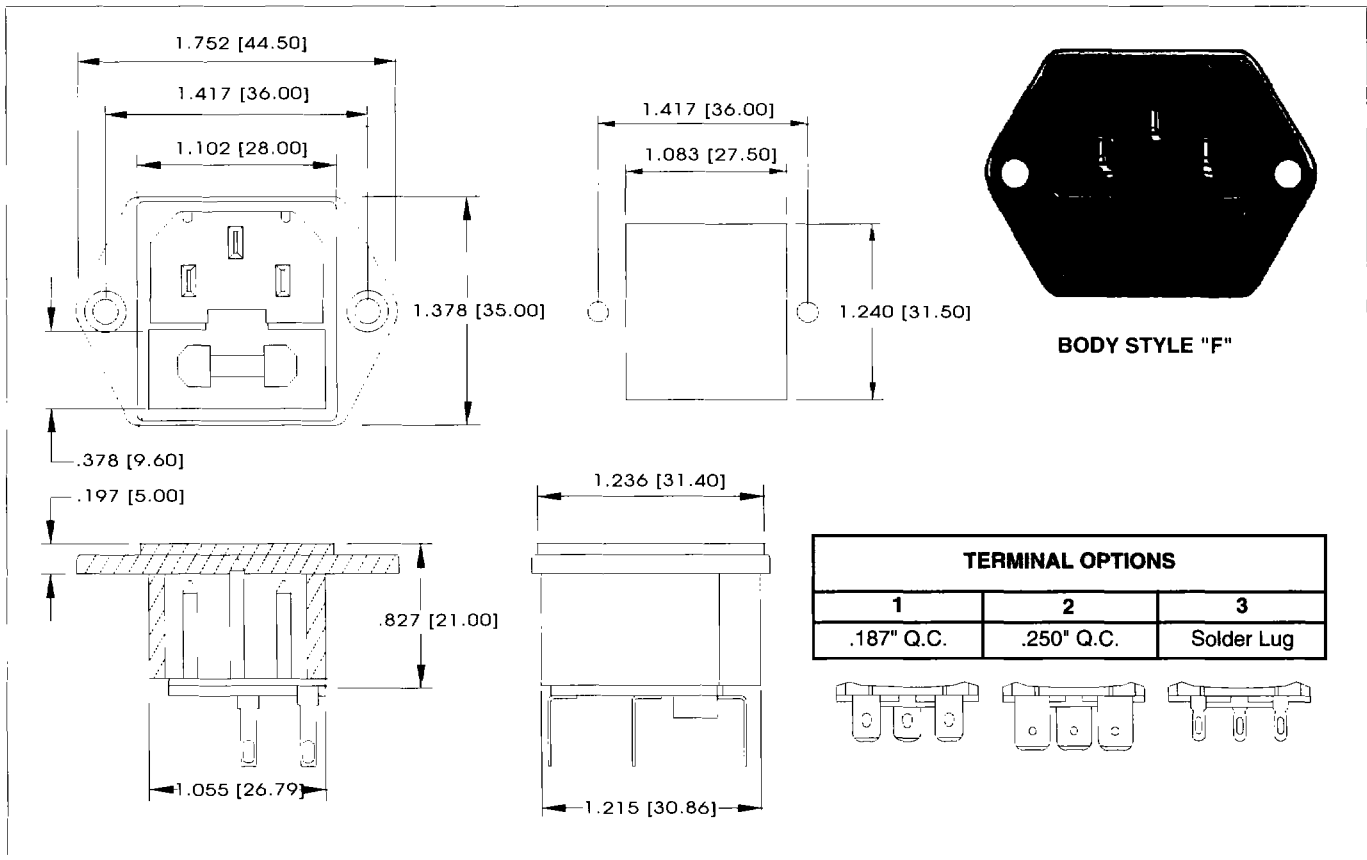


BODY STYLE "D"

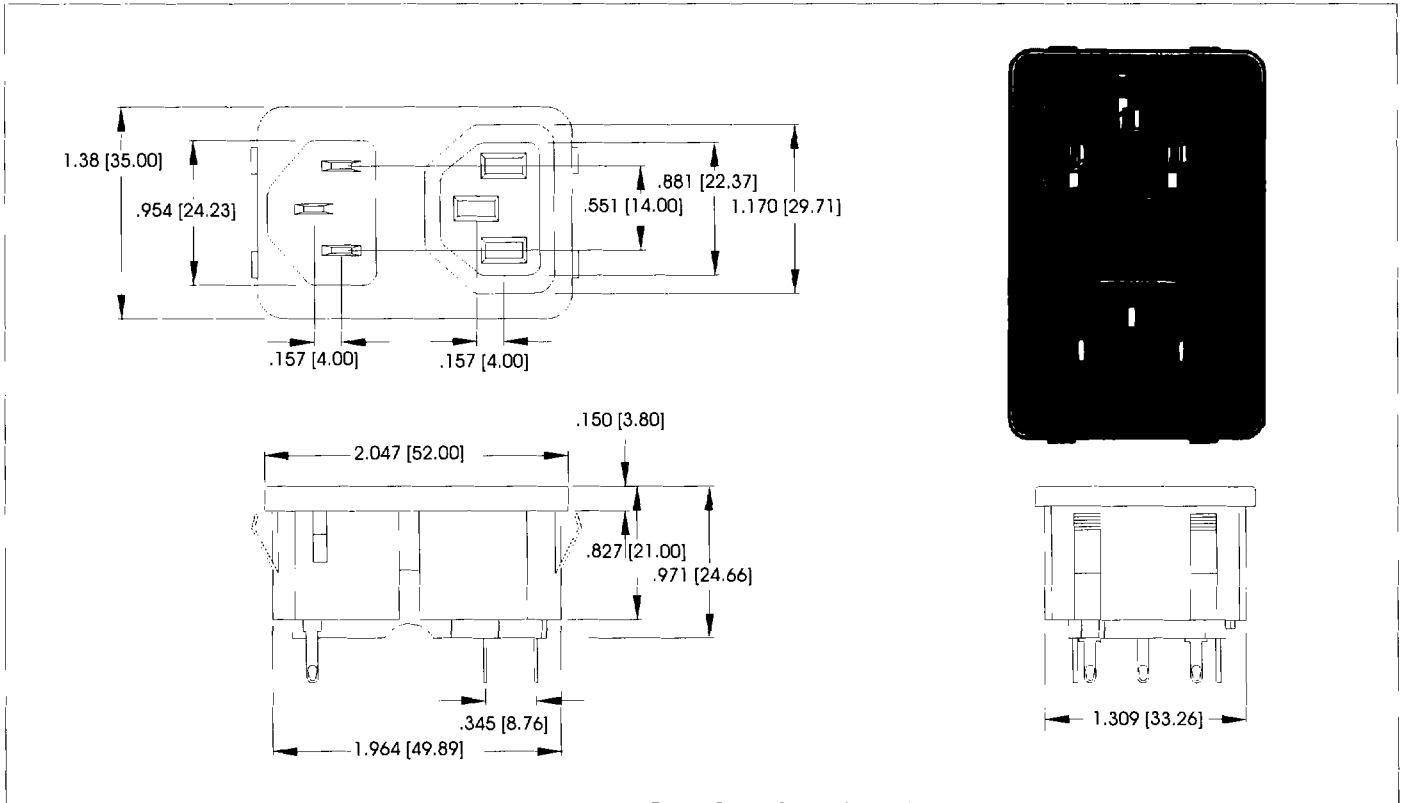


TERMINAL OPTIONS		
1	2	3
.187" Q.C.	.250" Q.C.	Solder Lug

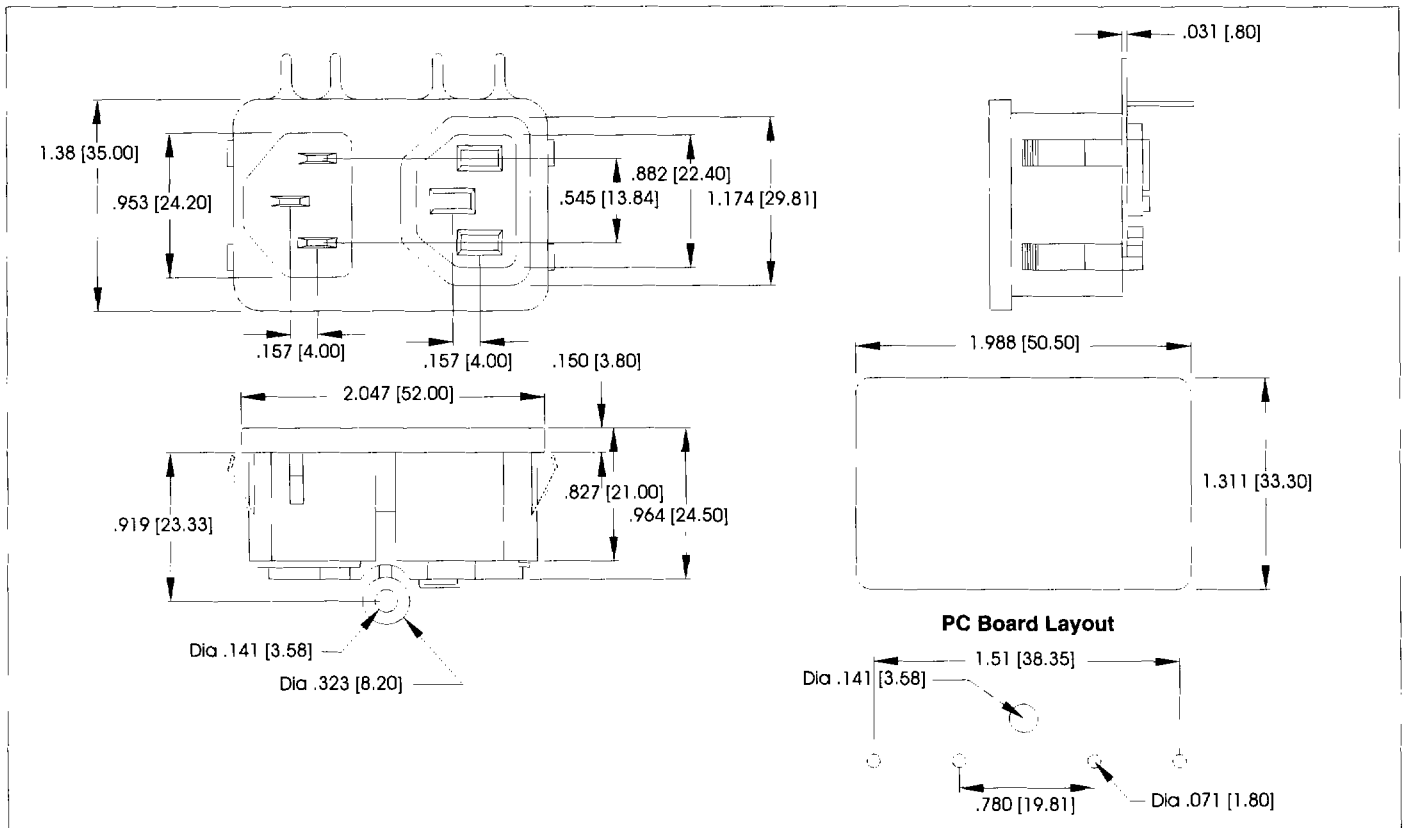


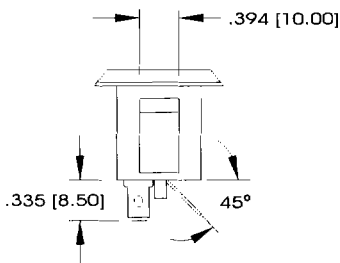
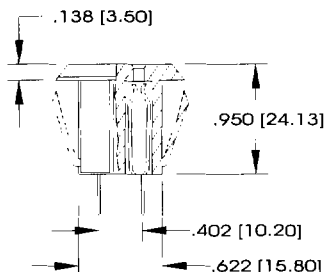
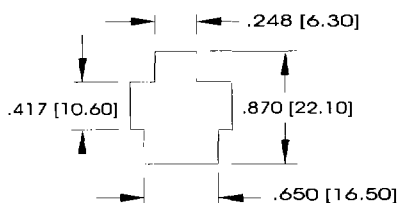
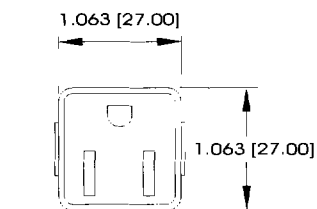


#### BODY STYLE - HS

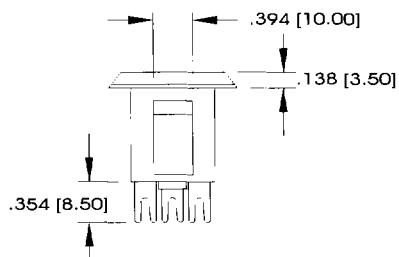
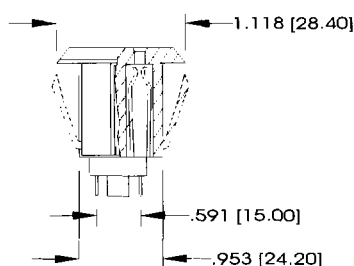
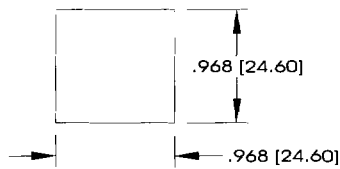
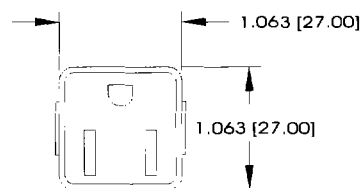


#### BODY STYLE - HR

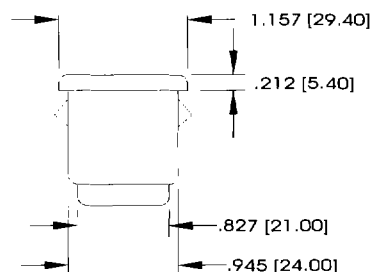
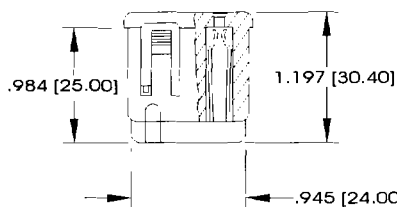
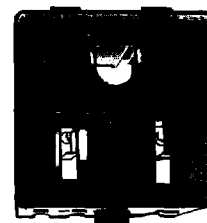
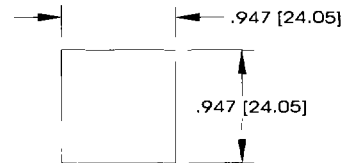
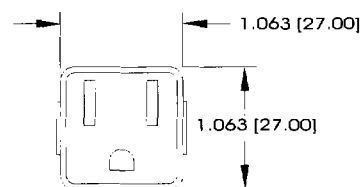




P/N NEMA - 5 - 1  
.187" Quick Connect Termination



P/N NEMA - 5 - 2  
Slotted Terminal for connecting  
receptacles in tandem



P/N NEMA - 5 - 3  
.250" Quick Connect Termination  
after cover is attached or solid wire  
termination before attaching cover.