

IEC Inlet Filters

F.MA-F.MB-F.MC-F.MD series

With fuse holders and mains switch

A range of compact IEC 60320 inlet power entry modules combining 1 or 2 fuse holders for US and IEC fuses. Plus a unipolar or bipolar rocker switch.

Designed for use in business, consumer and medical equipment, VDU's, vending machines and many other general purpose applications.

- Current ratings from 1A to 6A
- Integral single or twin fuse holder
- Unipolar or bipolar rocker switch
- Snap-in or screw mount versions
- Medical versions available

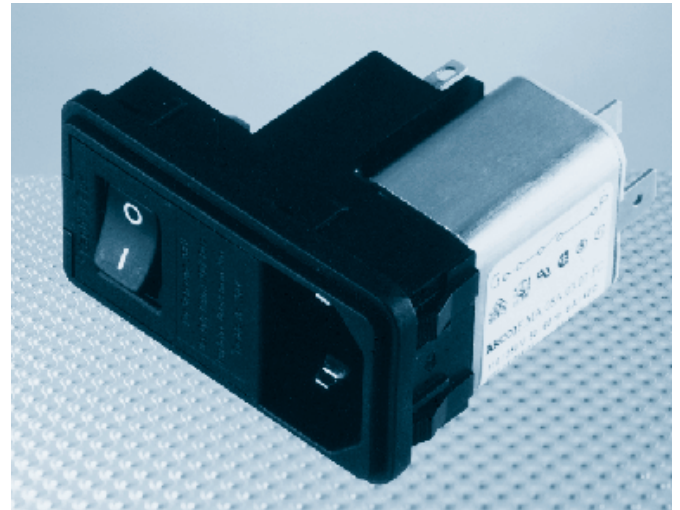
Mechanical Specifications

Manufacture: metal case with built-in power line connector according to IEC 60320, 1 (F.MA-F.MC) or 2 (F.MB-F.MD) fuse holders for fuses 5 x 20 mm (IEC) or 6.3 x 32 mm (US), unipolar (F.MA-F.MB) or bipolar (F.MC-F.MD) rocker switch; internal components sealed with self-extinguishing resin.

Connections: IEC 60320 - Standard plug (INPUT); faston 6.3 x 0.5 mm or 2.8 x 0.5 mm for filter output terminals; faston 2.8 x 0.5 mm for fuse terminals; faston 4.8 x 0.8 mm for rocker switch terminals; ground terminal connected to case.

Electrical Specifications

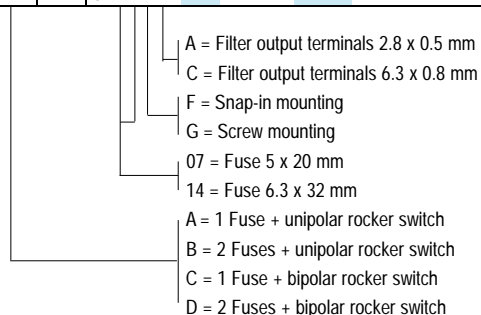
Rated voltage (V_R): max 250 V, 50/60 Hz
Rated current (I_R): referred to room temperature = 40°C
Leakage current (I_L): at 220 V, 50 Hz, max value
Voltage test (2_s): line to ground 3000 Vdc or 1800 Vac
 line to line 1700 Vdc
Climatic category: HPF (25/085/21);
 Temperature range: -25°C to +85°C
Rocker switches: 6(4)A / 250 Vac (Rated current),
 50000 on-off operations;
 10(4)A / 250 Vac (Rated current),
 10000 on-off operations;
 values in () relate to the inductive current;
 inrush current test according to UL 1054 (35A).



Filter Range

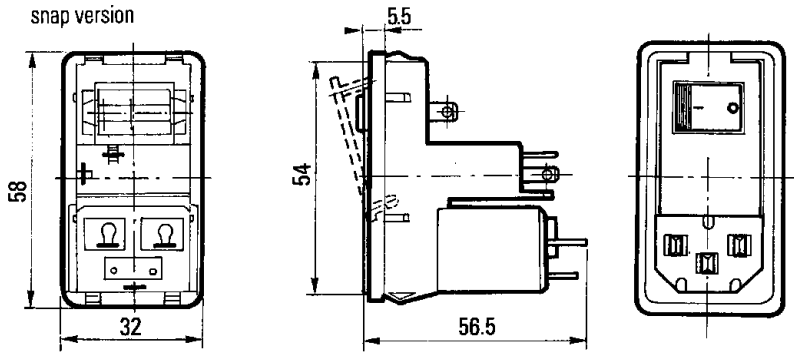
(example pt no. - F.MA.01A.01.07.FA)

Code	I_R (A)	L (mH)	Cx (μ F)	Cy (pF)	I_L (mA)	R (M Ω)
01A.	01.----	1	2 x 10	0.047	2 x 2500	2 x 0.23
	04.----				2 x 0.002	
	07.----				2 x 0.002	1
F.MA.	02.----	3	2 x 2.5	0.047	2 x 2500	2 x 0.23
F.MB.	03A.				05.----	2 x 0.002
F.MC.	08.----				2 x 0.002	1
06A.	03.----	6	2 x 1	0.047	2 x 2500	2 x 0.23
	06.----				2 x 0.002	
	09.----				2 x 0.002	1

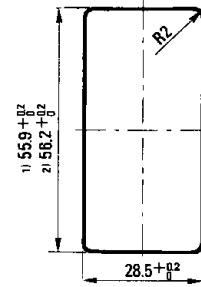


Dimensions (mm) and connections

snap version



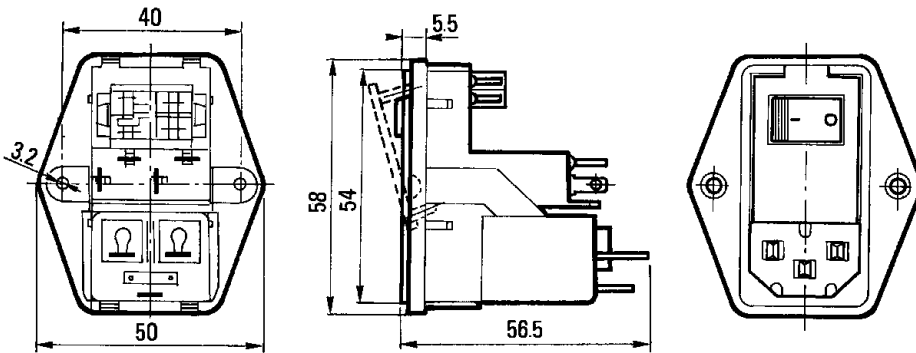
Panel piercing
Snap version



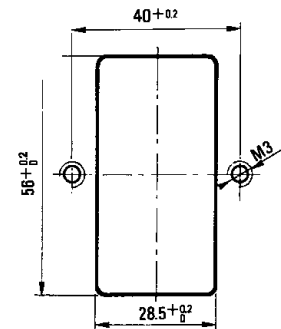
Thickness of mounting panels

- 1) 0.8-2.0 mm
- 2) 2.1-3.2 mm

Screw version

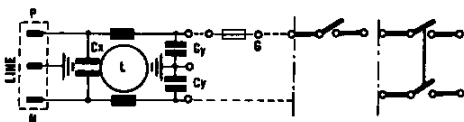


Screw version

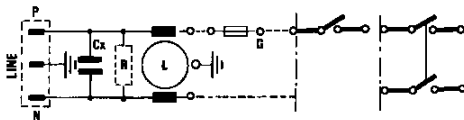


Circuit diagram

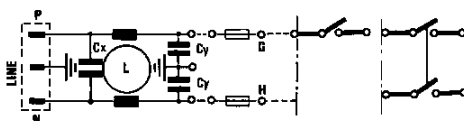
F.MA/ F.MC



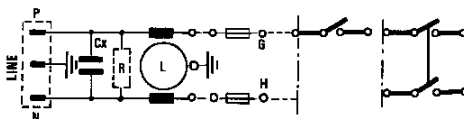
F.MA/ F.MC (for medical equipments)



F.MB / F.MD



F.MB / F.MD (for medical equipments)



----- External connections

IEC Inlet Filters

F.MA-F.MB-F.MC-F.MD series

Insertion loss (typical): — Asymmetrical (line to ground) with Cy — Asymmetrical (line to ground) without Cy - - - Symmetrical (line to line)

