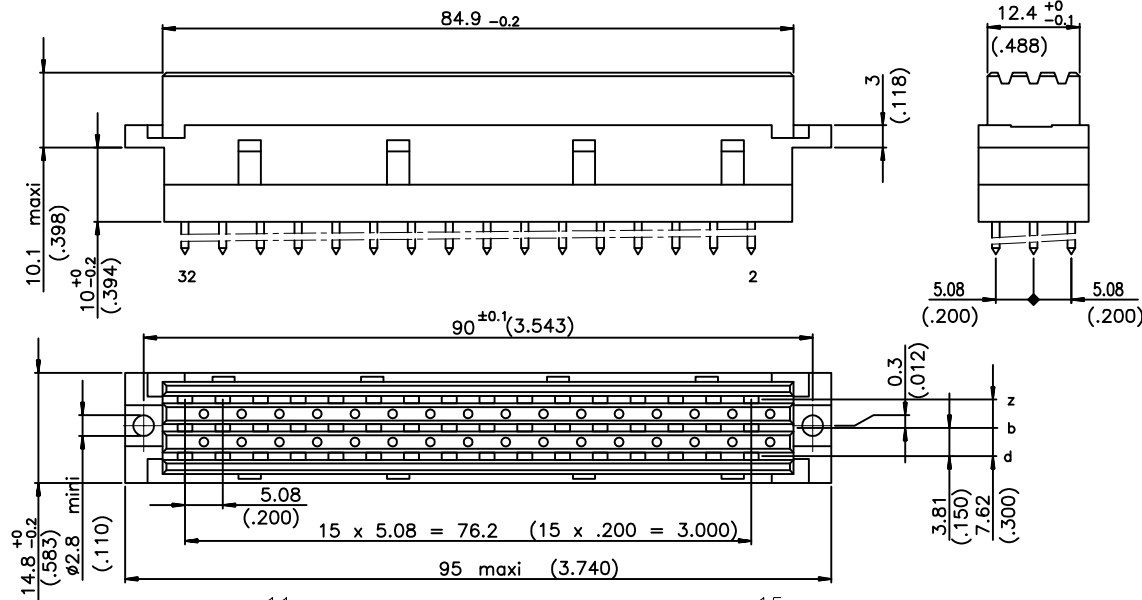


DIMENSIONS mm (inches)



ELECTRICAL DATA

-Current at AMB.	5.5 A at 20° / 4 A at 70°
-Contact resistance	?15m? according to DIN 41640 Teil 4 test 2a
-Insulation resistance	?10 <sup>9</sup> M? according to DIN 41640 teil 7 test 3a
-TEST VOLTAGE	according to DIN 41640 teil 21
contact/contact	1550V eff
contact/ground	2500V eff

MECHANICAL DATA

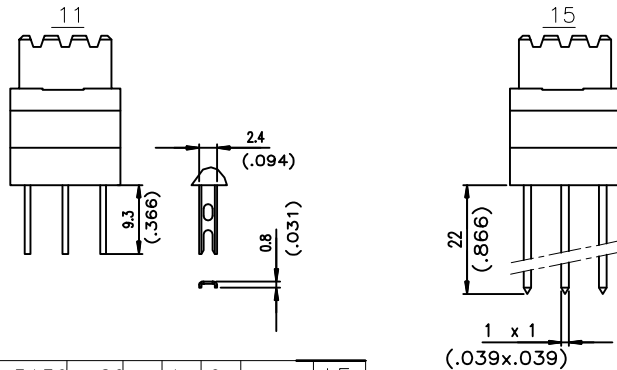
-Insertion force	?75N
-Mechanical endurance	-class 1 500 matings unmatings according to DIN41640 teil 21
	-class 2 400 matings unmatings according to DIN41640 teil 21

-Material insulator	Polyester UL94V0
-Material contacts	Copper alloy
-Finishing contact surface	Gold over nickel Lead Free
-Finishing termination	Lead-Free
-Shock	?30m? according to DIN 41640 Teil 14 test 6c
-Vibration	-class 1 10-2000Hz/20g according to DIN 41640 Teil 15
	-class 2 10-500Hz/5g according to DIN 41640 Teil 15

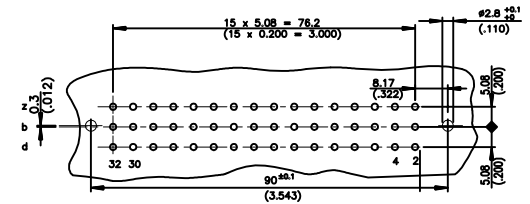
ENVIRONMENTAL DATA

-Climatic category	According to DIN 41612
-Corrosion	According to DIN 41612

TERMINATION



P.C. CARD DRILLING



NOTE RoHS INFORMATION

- The "LF" products meet European Union Directives and other country regulations as described in GS-22-008.
- The housing will withstand exposure to 260°C peak temperature for 3.5 seconds in a wave solder application with a 1.6mm minimum thick circuit board.
- Packaging spec:see GS-14-920

LEAD-FREE PART-NUMBER 5159□ 09□□ 1□ 9□□□ LF	
CONTACT TERMINATION	
Straight splices/W Wraps	0
Hand solder	9
NUMBER OF CONTACTS 32 or 48	
TERMINATION	
W.W. 3 wraps	5
Hand solder	1
PERFORMANCE CLASS	
DIN 41612 class 2	3
DIN 41612 class 1	4
CONTACT ARRANGEMENT	
Row z,b and d with contacts (48)	111
Row z and d with contacts (32)	101
Row z and b with contacts (32)	110
Row z,b and d with contacts (48)	AAC
Row z and d with contacts (32)	AAA
Row z and b with contacts (32)	AAB
LEAD-FREE	

www.fciconnect.com				surface	ISO 1302	tolerance std	ISO 406 ISO 1101	projection	mm		
				TOLERANCES UNLESS OTHERWISE SPECIFIED							
Dr	MPESSON	2006/02/21	ANGULAR	LINEAR	0.X	±0.1	size	A2	Scale		
Eng	MPESSON	2006/02/21			0.XX	±0.1			2		
Chr	LEGARE	2006/02/21	0.XX ±2		0.XXX	±0.1	ECN	F11-0028			
Apr	LEGARE	2006/02/21	Product family	DIN POWER	5159		Spec ref	-			
D	LS06-0022	LGO	2006/02/21	<b>FCI</b> RECEPTACLES- MEDIUM POWER -3 ROW STYLE F catalog no						Rev.	J
E	LS06-0097	LGO	2006/07/26							chg no	C01-5159-0036
F	LS06-0113	LGO	2006/08/30								
G	LS07-0288	LGO	2007/11/19								
										CUSTOMER	sheet 1 of 1

Copyright FCI