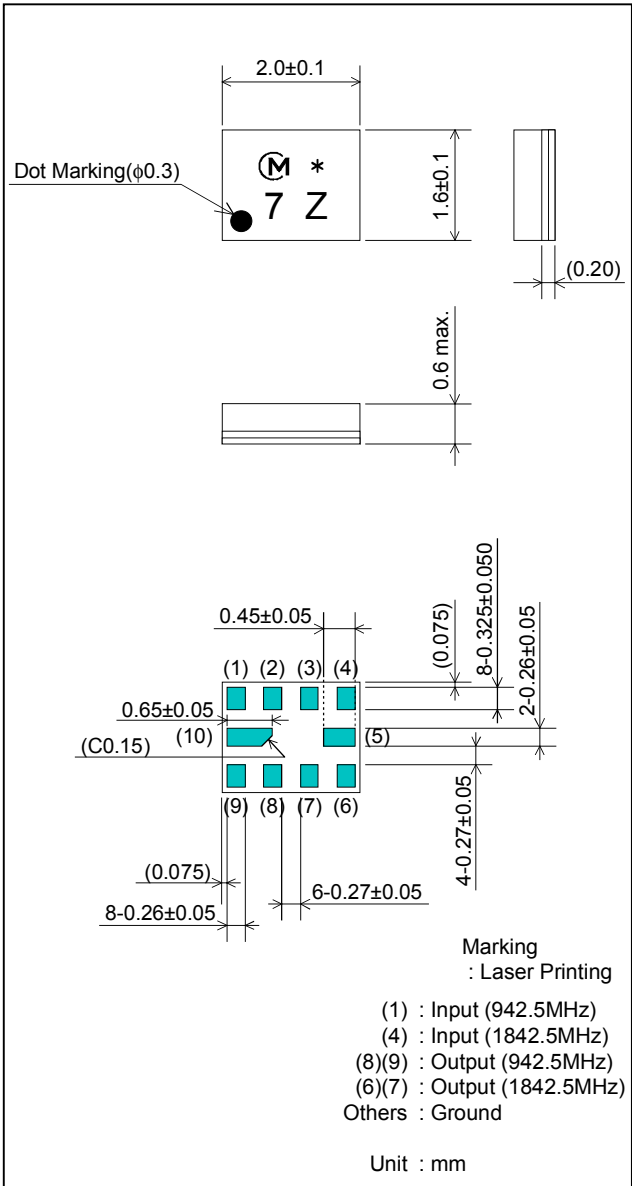


SAW FILTER FOR GSM900/GSM1800 (Rx)

Murata part number : SAWEP942MCM0F00 (fc=942.5MHz)

Package Dimensions



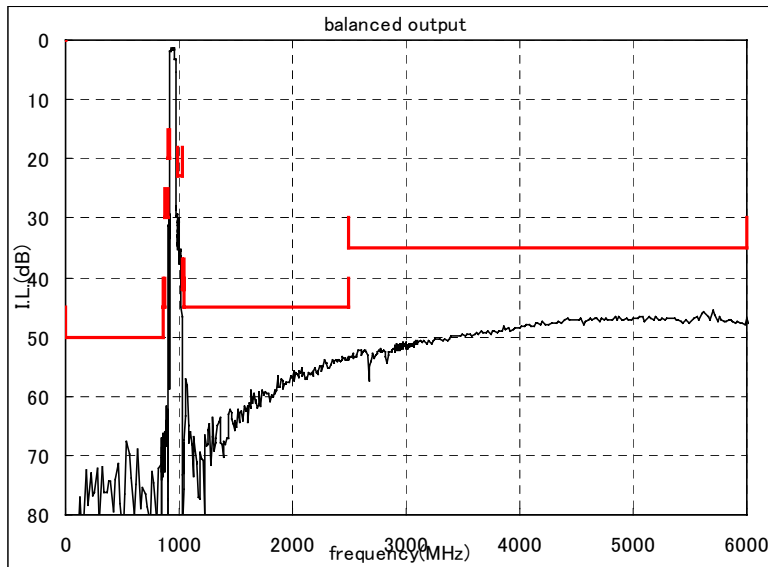
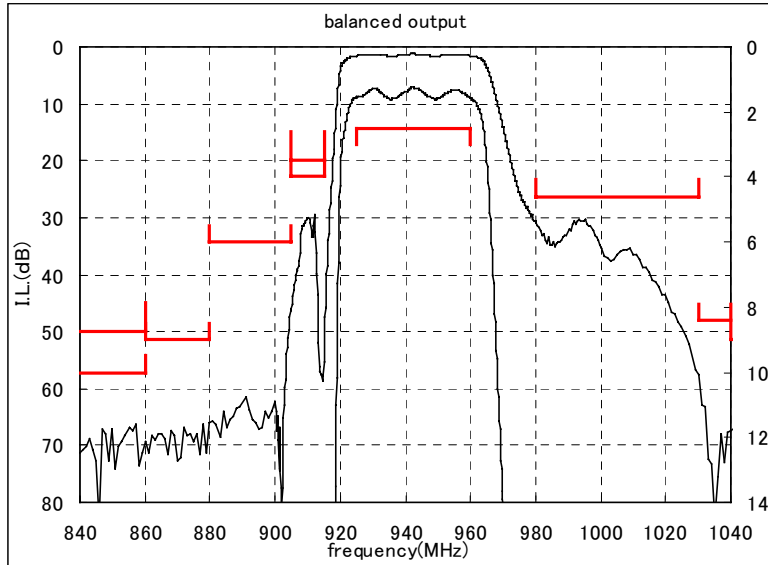
Specification

Item	Specification		
	-30 to 85°C	25 ± 2 °C	typ.
Nominal Center Frequency(fc)	942.5MHz		
Insertion Loss (925 to 960MHz)	2.5dB max.	2.1dB max.	1.6 dB
Absolute Attenuation			
1) DC to 860 MHz	50 dB min.	50 dB min.	66 dB
2) 860 to 880 MHz	45 dB min.	45 dB min.	66 dB
3) 880 to 905 MHz	30 dB min.	30 dB min.	46 dB
4) 905 to 915 MHz	20 dB min.	20 dB min.	28 dB
5) 980 to 1030 MHz	23 dB min.	23 dB min.	29 dB
6) 1030 to 1040 MHz	42 dB min.	42 dB min.	57 dB
7) 1040 to 2500 MHz	45 dB min.	45 dB min.	53 dB
8) 2500 to 6000 MHz	35 dB min.	35 dB min.	43 dB
Ripple Deviation (925 to 960MHz)	1.7dB max.	1.1dB max.	0.4 dB
VSWR (925 to 960MHz)	2.2 max.	2.0 max.	1.8
Amplitude Balance (925 to 960MHz)	± 1.0 dB max.	± 1.0 dB max.	-0.3dB
Phase Balance (925 to 960MHz)	180 ± 10 deg. max.	180 ± 10 deg. max.	180+1deg.
Input Impedance (nominal)	942.5MHz : 50 Ω 1842.5MHz : 50 Ω		
Output Impedance (nominal)	942.5MHz : 150 Ω //82nH 1842.5MHz : 150 Ω //18nH		
Input Signal Level	20mW (+13dBm), 2000 hours		

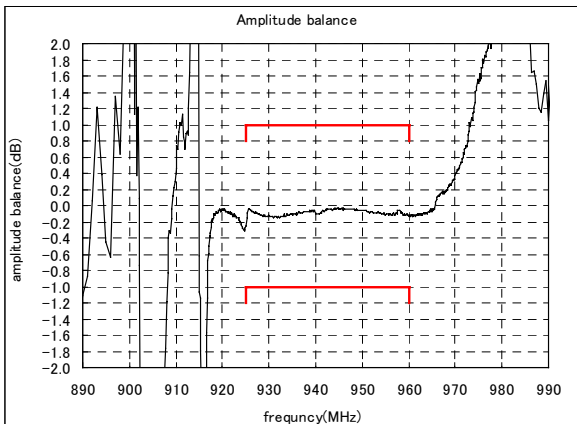
SAW FILTER FOR GSM900/GSM1800 (Rx)

Murata part number : SAWEP942MCM0F00 ($f_c=942.5\text{MHz}$)

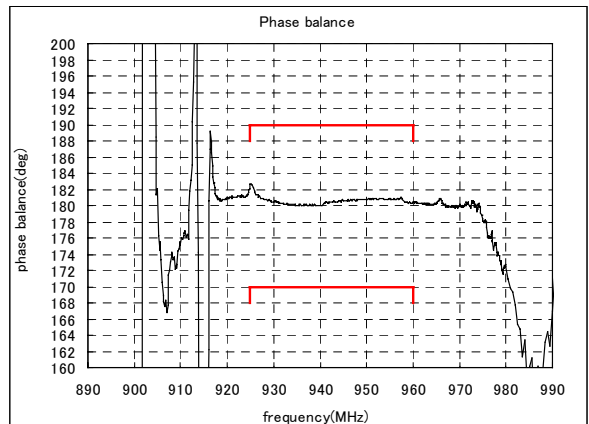
Frequency Performance



Amplitude balance



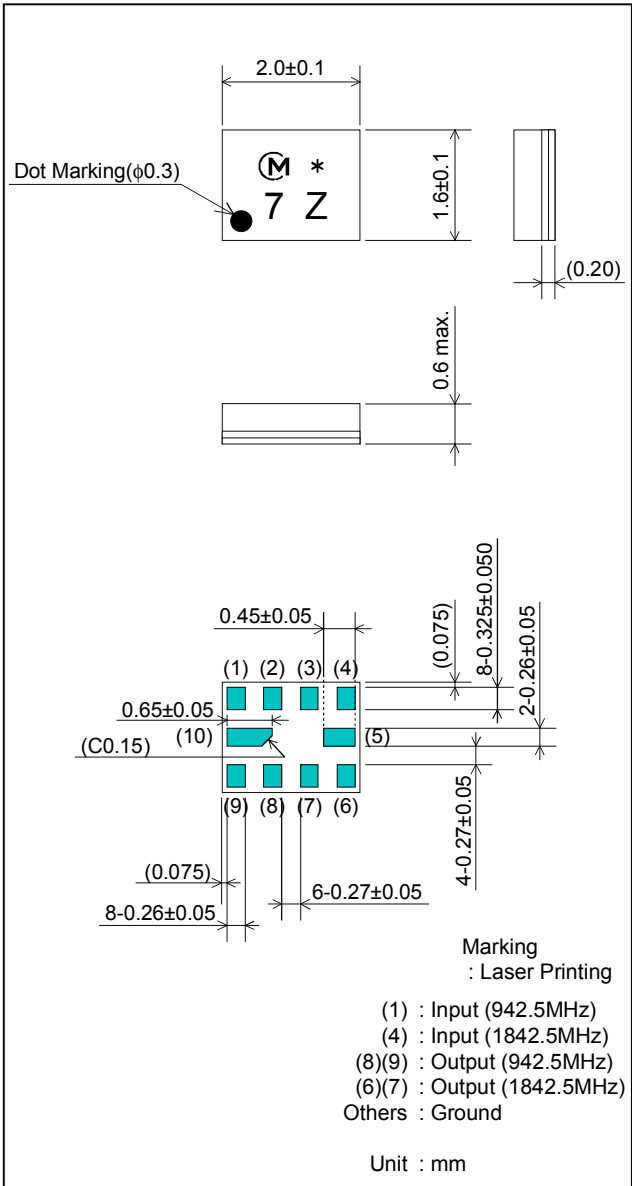
Phase balance



SAW FILTER FOR GSM900/GSM1800 (Rx)

Murata part number : SAWEP942MCM0F00 (fc=1842.5MHz)

Package Dimensions



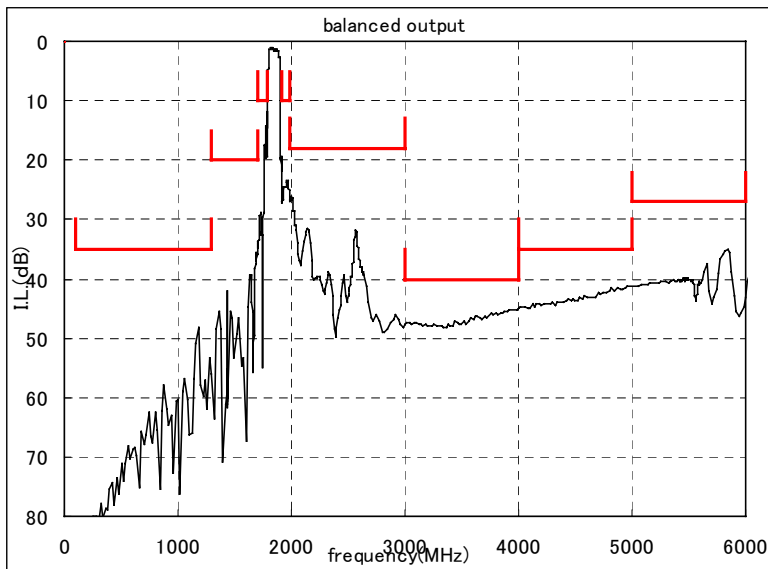
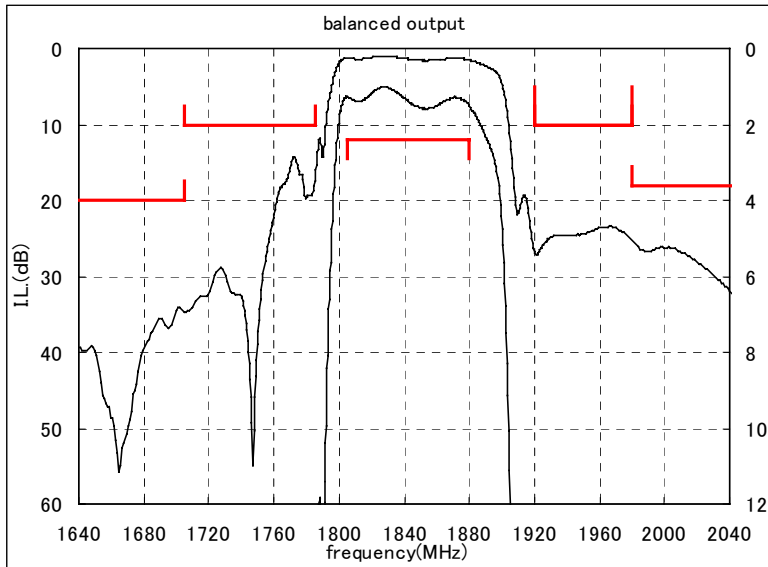
Specification

Item	Specification		
	-30 to 85°C	25±2°C	typ.
Nominal Center Frequency(fc)	1842.5MHz		
Insertion Loss (1805 to 1880MHz)	2.4dB max.	2.1dB max.	1.6 dB
Absolute Attenuation			
1) 100 to 1300 MHz	35 dB min.	35 dB min.	47 dB
2) 1300 to 1705 MHz	20 dB min.	20 dB min.	33 dB
3) 1705 to 1785 MHz	10 dB min.	10 dB min.	15 dB
4) 1920 to 1980 MHz	10 dB min.	15 dB min.	23 dB
5) 1980 to 3000 MHz	18 dB min.	20 dB min.	25 dB
6) 3000 to 4000 MHz	40 dB min.	40 dB min.	45 dB
7) 4000 to 5000 MHz	35 dB min.	35 dB min.	41 dB
8) 5000 to 6000 MHz	27 dB min.	27 dB min.	35 dB
Ripple Deviation (1805 to 1880MHz)	2.0dB max.	1.0dB max.	0.6 dB
VSWR (1805 to 1880MHz)	2.1 max.	2.1 max.	1.9
Amplitude Balance (1805 to 1880MHz)	±1.2dB max.	±1.2dB max.	+0.6dB
Phase Balance (1805 to 1880MHz)	180±15deg. max.	180±10deg. max.	180+5deg.
Input Impedance (nominal)	942.5MHz : 50Ω 1842.5MHz : 50Ω		
Output Impedance (nominal)	942.5MHz : 150Ω//82nH 1842.5MHz : 150Ω//18nH		
Input Signal Level	20mW (+13dBm), 2000 hours		

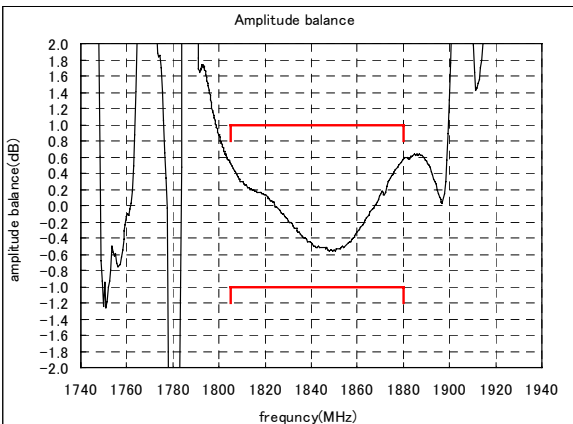
SAW FILTER FOR GSM900/GSM1800 (Rx)

Murata part number : SAWEP942MCM0F00 ($f_c=1842.5\text{MHz}$)

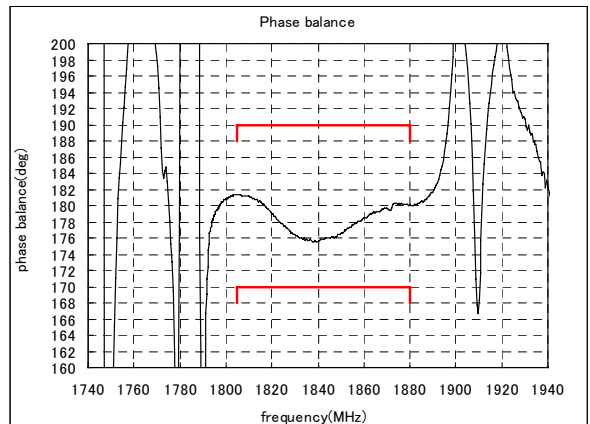
Frequency Performance



Amplitude balance



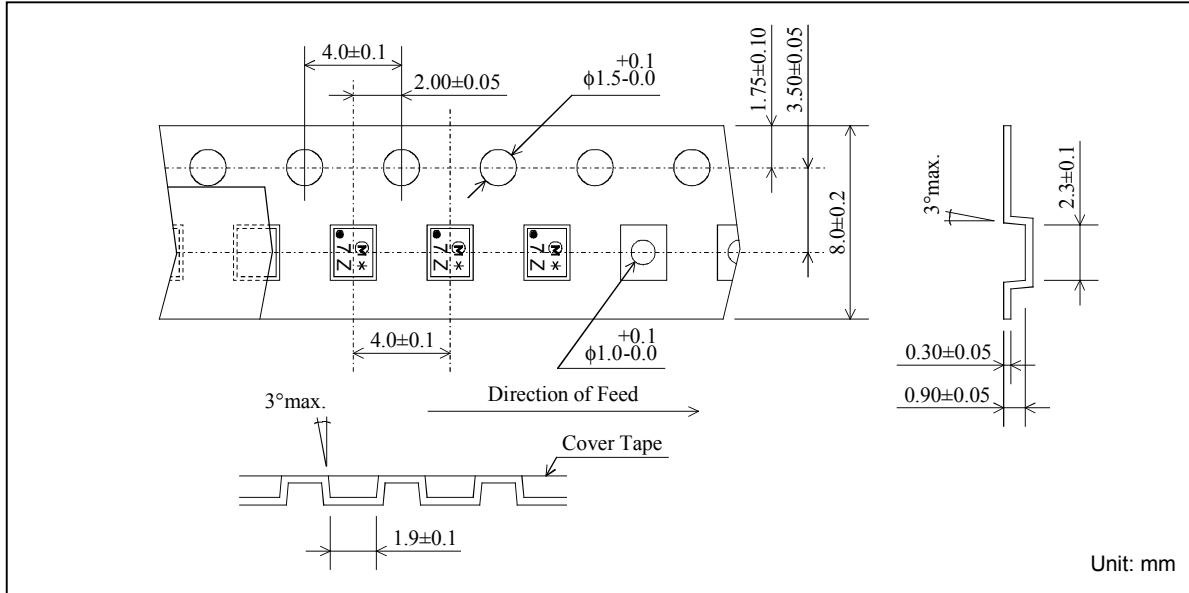
Phase balance



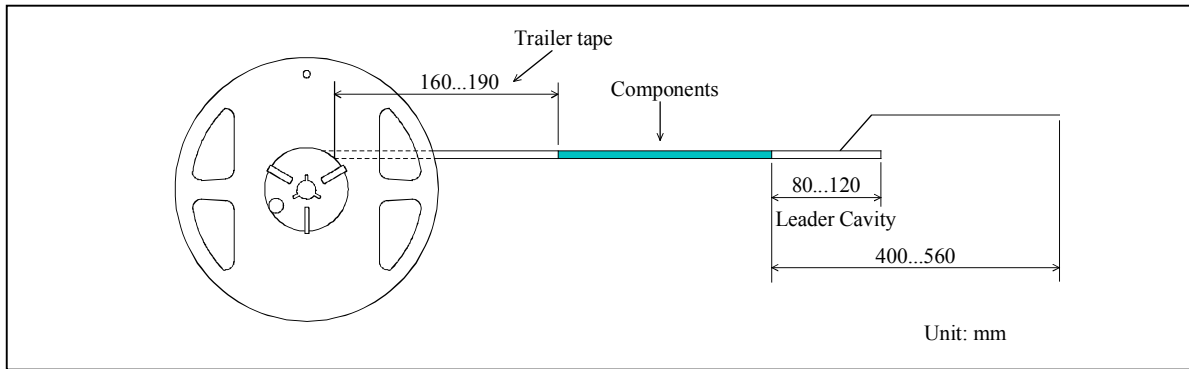
SAW FILTER FOR GSM900/GSM1800 (Rx)

Murata part number : **SAWEP942MCM0F00**

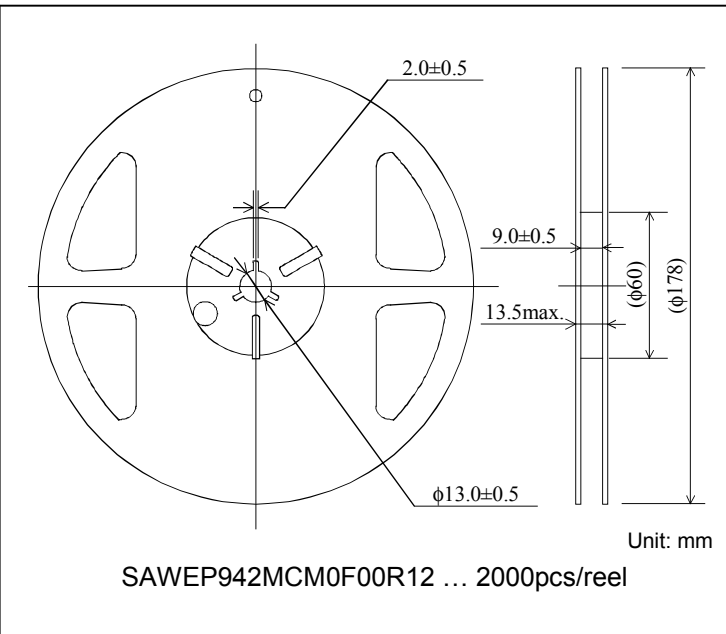
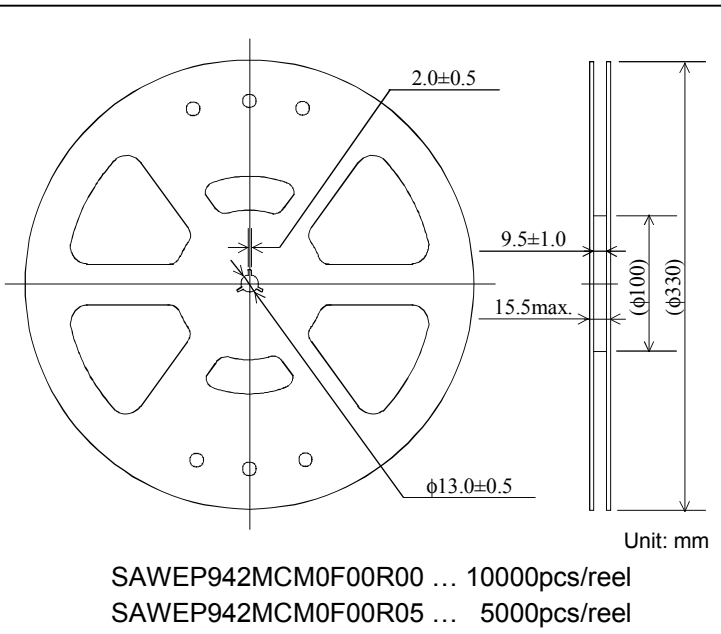
Dimensions of Carrier Tape



Dimensions of Tape



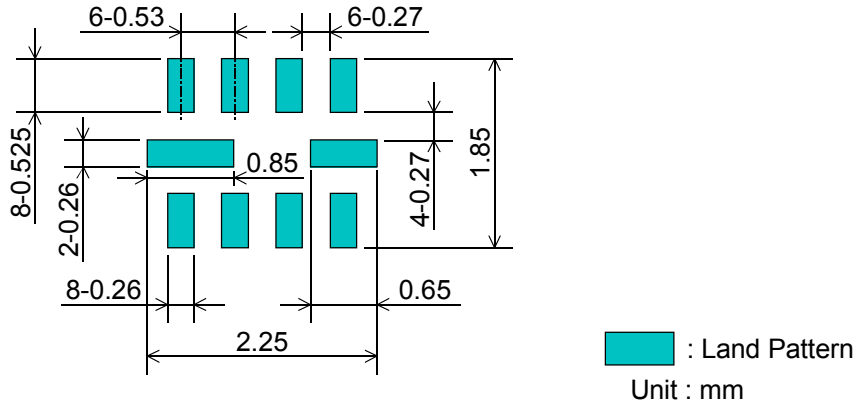
Dimensions of Reel



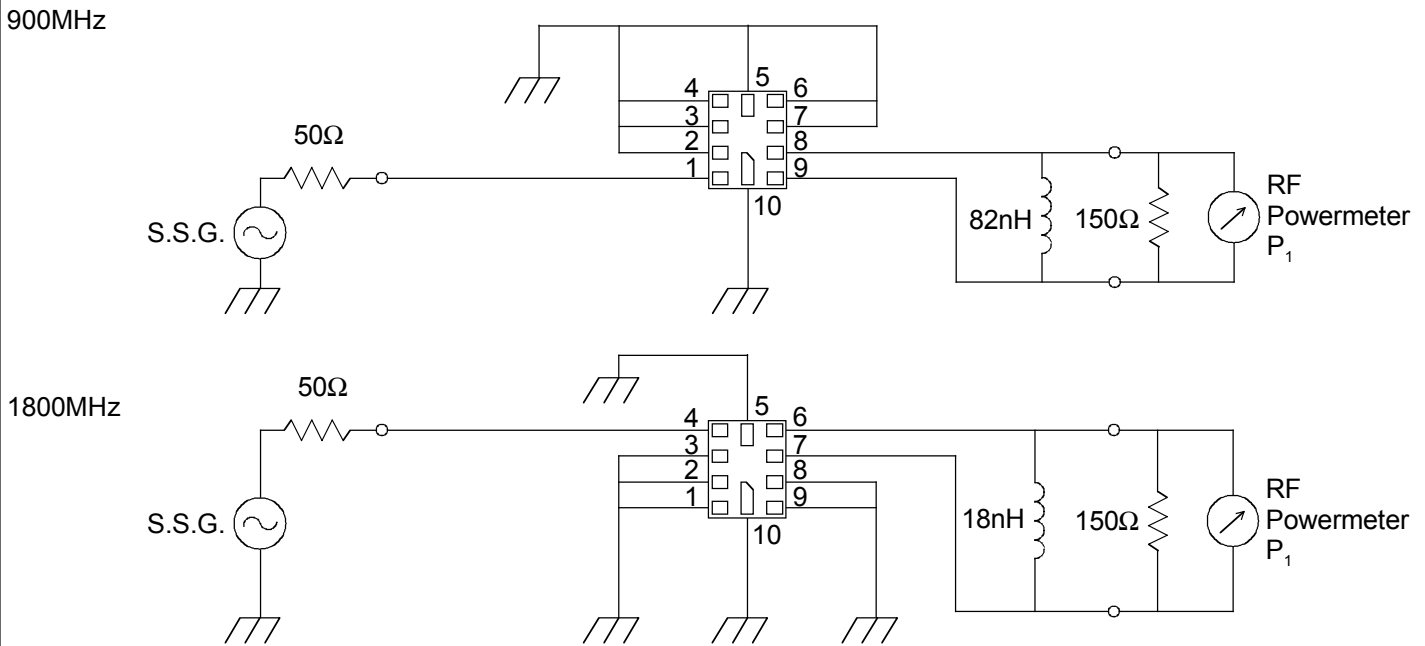
SAW FILTER FOR GSM900/GSM1800 (Rx)

Murata part number : SAWEP942MCM0F00

Recommended Land Pattern



Test Circuit



- This PDF Datasheet is downloaded from the website of Murata Manufacturing Co., Ltd. Therefore, it's specifications are subject to change or our products in it may be discontinued without advance notice. Please check with our sales representatives or product engineers before ordering.
- This PDF Datasheet has only typical specifications because there is no space for detailed specifications. Therefore, please approve our product specifications or transact the approval sheet for product specifications before ordering.