

# MICRO SWITCH

FREEDPORT, ILLINOIS, U.S.A.  
A DIVISION OF HONEYWELL  
FED. MFG. CODE 91929

## SWITCH-TOGGLE

CATALOG LISTING  
**12TW59 SERIES**

**CHART 2**

CATALOG LISTING  
**2**

AVAILABLE LOCKING COMBINATIONS FOR CONFIGURATION SEE LETTERED DETAILS

CIRCUIT MADE WITH TOGGLE LEVER IN  
KEYWAY SIDE (1-2, 4-5) CENTER (1-2, 4-5) OPPOSITE KEYWAY (2-3, 5-6)

ELECTRICAL DATA

THIS DRAWING COVERS A PROPRIETARY ITEM AND IS THE PROPERTY OF MICRO SWITCH. A DIVISION OF HONEYWELL. THIS DRAWING IS NOT TO BE COPIED OR USED WITHOUT THE APPROVAL OF MICRO SWITCH.

CODE L117 5A-125 VAC



12TW59 SERIES  
CHART 2

M

DRAWING NUMBER

ISSUE X 3

REVISIONS

A	C062939	TSK	24 FEB 88
B	C067673	SLB	5 JUL 90

CHECK

CHECK

CHECK

CHECK

CHECK

CHECK

CHECK

CHECK

CHECK

CHECK

CHECK

CHECK

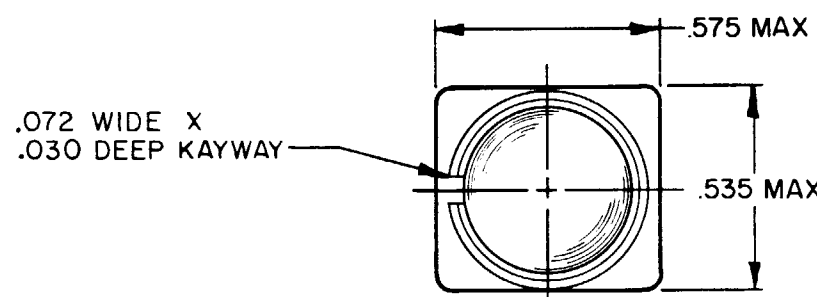
CHECK

CHECK

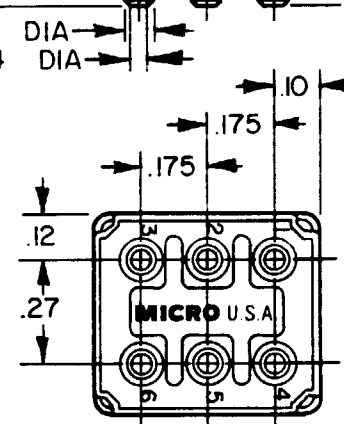
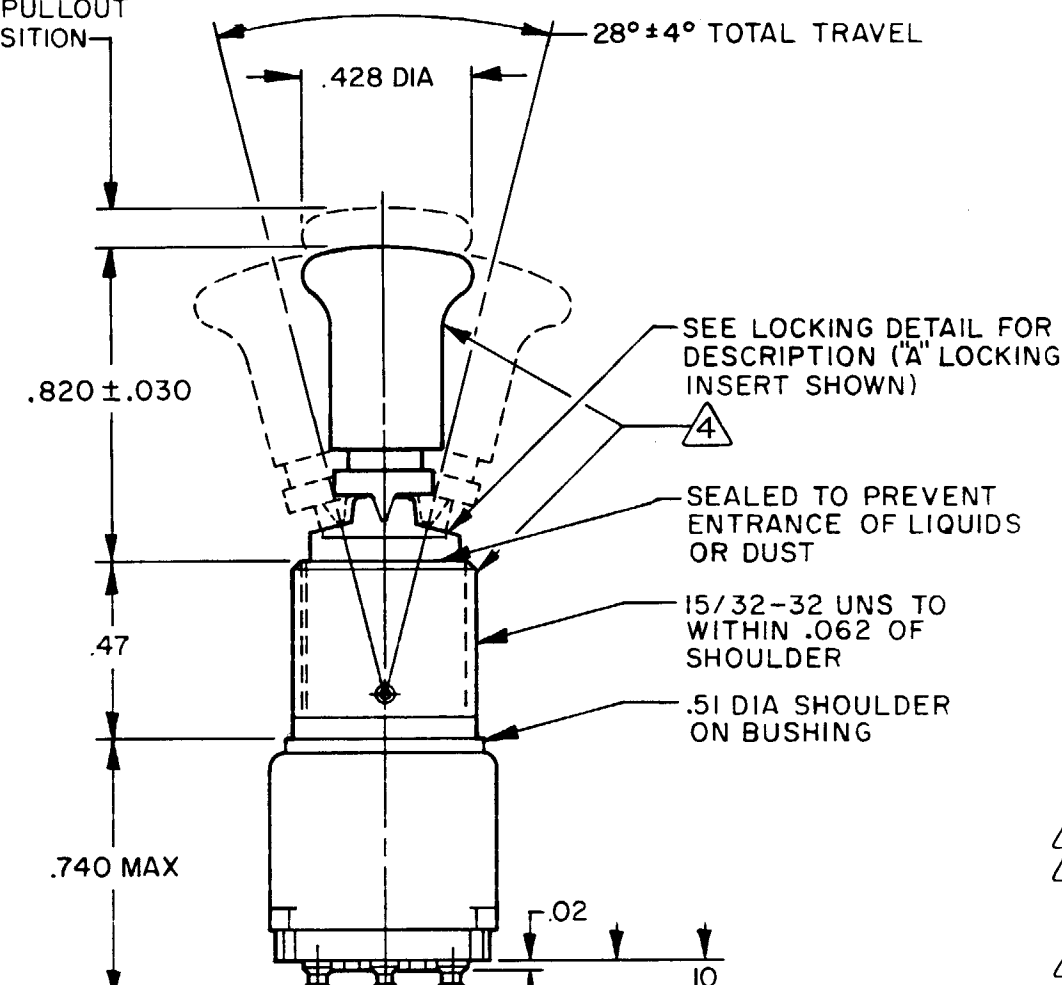
CHECK

CHECK

CHECK

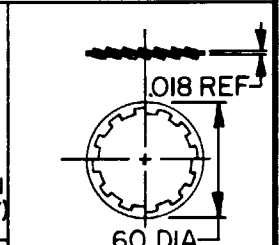


.090 APPROX. PULLOUT TO CHANGE POSITION

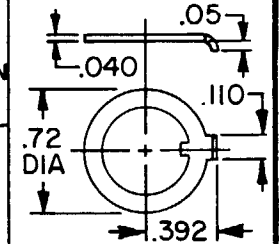


CATALOG LISTING	AVAILABLE LOCKING COMBINATIONS	KEYWAY SIDE (1-2, 4-5)	CENTER (1-2, 4-5)	OPPOSITE KEYWAY (2-3, 5-6)
12TW59-1	A,B,D,E,F,G,H,I,K,L,M,N,P	ON	OFF	ON
12TW59-2	D, F, G	OFF	NONE	ON
12TW59-3	D, F, G	ON	NONE	ON
12TW59-21	E, F, K, M	NONE	OFF	ON
12TW59-31	E, F, K, M	NONE	ON	ON
12TW59-4	F	MOM OFF	NONE	ON
12TW59-5	E, F, K, L, M, N	MOM ON	OFF	ON
12TW59-6	F	MOM ON	NONE	OFF
12TW59-7	E, L, N	MOM ON	OFF	MOM ON
12TW59-8	F	MOM ON	NONE	ON
12TW59-51	E	NONE	ON	MOM ON
12TW59-61	E	MOM ON	OFF	NONE

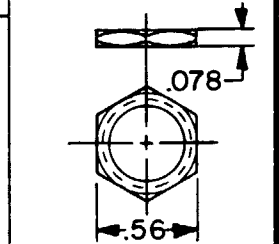
"A" LOCKED IN THREE POSITIONS	"B" LOCKED IN CENTER AND EXTREME POSITION (KEYWAY SIDE)	"D" LOCKED OUT OF CENTER POSITION	"E" LOCKED IN CENTER POSITION	"F" LOCKED IN EXTREME POSITION (OPPOSITE KEYWAY)
"G" LOCKED IN EXTREME POSITION (KEYWAY SIDE)	"H" LOCKED OUT OF CENTER AND EXTREME POSITION (KEYWAY SIDE)	"J" LOCKED OUT OF CENTER AND EXTREME POSITION (OPPOSITE KEYWAY)	"K" LOCKED IN CENTER AND EXTREME POSITION (OPPOSITE KEYWAY)	"L" LOCKED OUT OF EXTREME POSITION (KEYWAY SIDE)
"M" LOCKED OUT OF AND INTO EXTREME POSITION (OPPOSITE KEYWAY)	"N" LOCKED OUT OF EXTREME POSITION (OPPOSITE KEYWAY)	"P" LOCKED OUT OF AND INTO EXTREME POSITION (KEYWAY SIDE)		



LOCKWASHER (PART NO. TS-10013)



LOCKING RING (PART NO. EN-12449)



HEX NUT (2) (PART NO. TL-10632)

- NOTES
- 1 FURNISHED UNASSEMBLED
  - 2 SUFFIX MUST BE ADDED FOR DESIRED TYPE TOGGLE LOCKING SEE CHART FOR AVAILABLE LOCKING COMBINATIONS
  - 3 - TERMINALS ARE PLATED FOR SOLDERING
  - 4 MATTE FINISH
  - 5 APPLIES ONLY TO "ON" AND "MOMENTARY ON" POSITIONS

THIRD ANGLE PROJECTION

SCALE 2:1

DO NOT SCALE PRINT

TOLERANCES

APPLY TO DESIGN UNITS. CONVERSIONS ARE ONLY FOR REFERENCE. UNLESS NOTED, TOLERANCES ARE ±

DIM.	TOL.	DIM.	TOL.
mm	mm/in	in	mm/in
NO PLACES	X	17.04	
ONE PLACE	X,X	0.41,018	X,X 0.81,03
TWO PLACES	X,XX	0.13,006	X,XX 0.38,015
THREE PLACES	X,XXX		X,XXX 0.13,005

SI METRIC  US CUSTOMARY

DESIGN UNITS

RAW MATERIAL-COMMERCIAL STANDARD MICRO SWITCH STANDARDS APPLY

DIMENSIONS ARE TO BE MET BEFORE PROTECTIVE COATINGS ARE APPLIED

WEIGHT