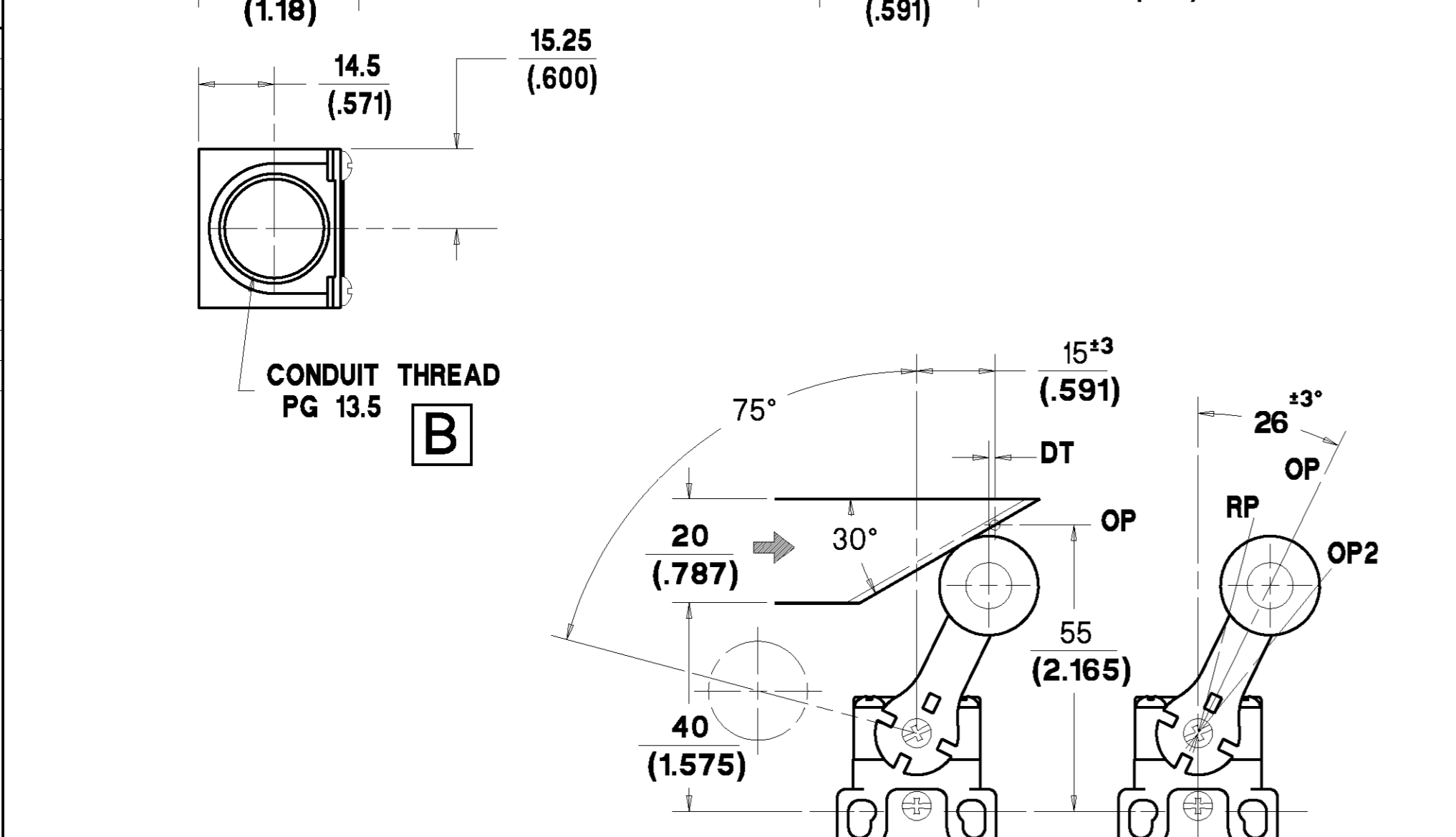
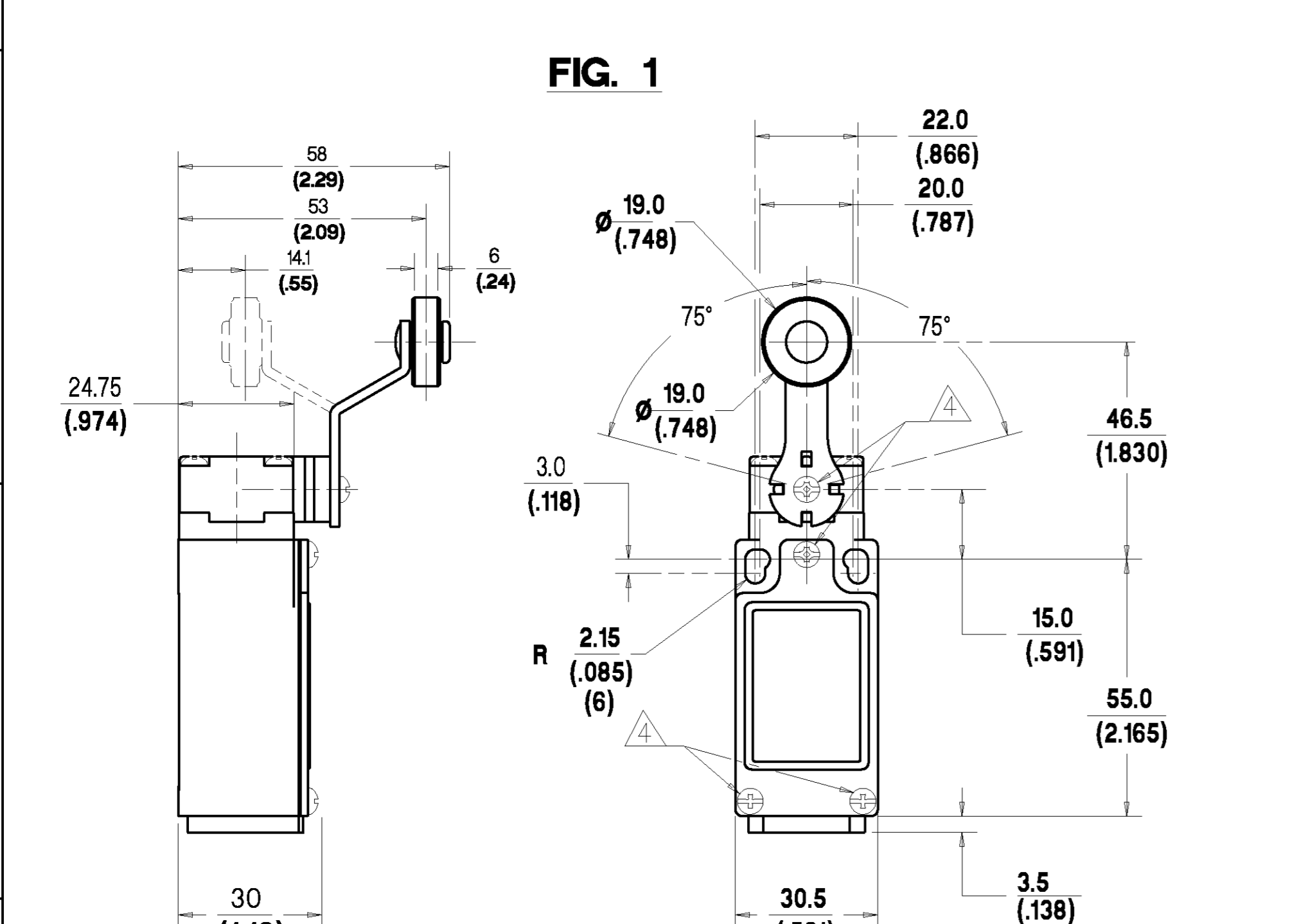


MTG-GL-197
 REPLACES
 DRAWING NUMBER
 6
 ISSUE
 RELEASE NUMBER
 A018-185
 REVISIONS
 2 9/96
 A018-275
 3 12/96
 A018-293
 4 7/97
 CO-000083
 5 8/97
 CO-000105
 6 CO/395
 I WEIR 6/98
 DRAWN
 M. LOCH
 4/95
 CHECK
 I. WEIR
 4/95
 DESIGN
 J. BOYD
 4/95
 AUTHOR/P. P. TRICKETT
 4/95

Honeywell **LIMIT SWITCH** **GLS**
 CHART NO. **MTG-GL-197**



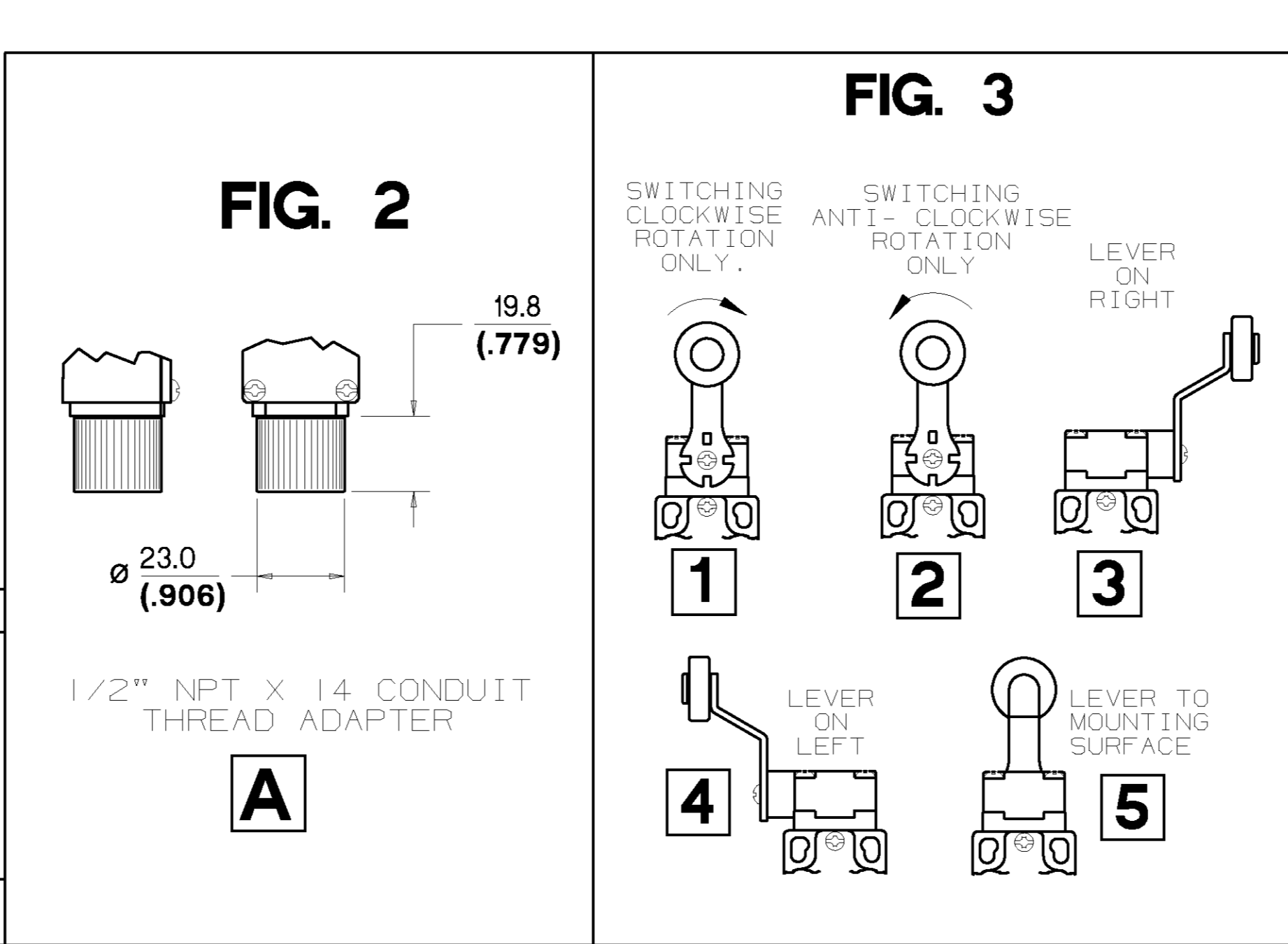
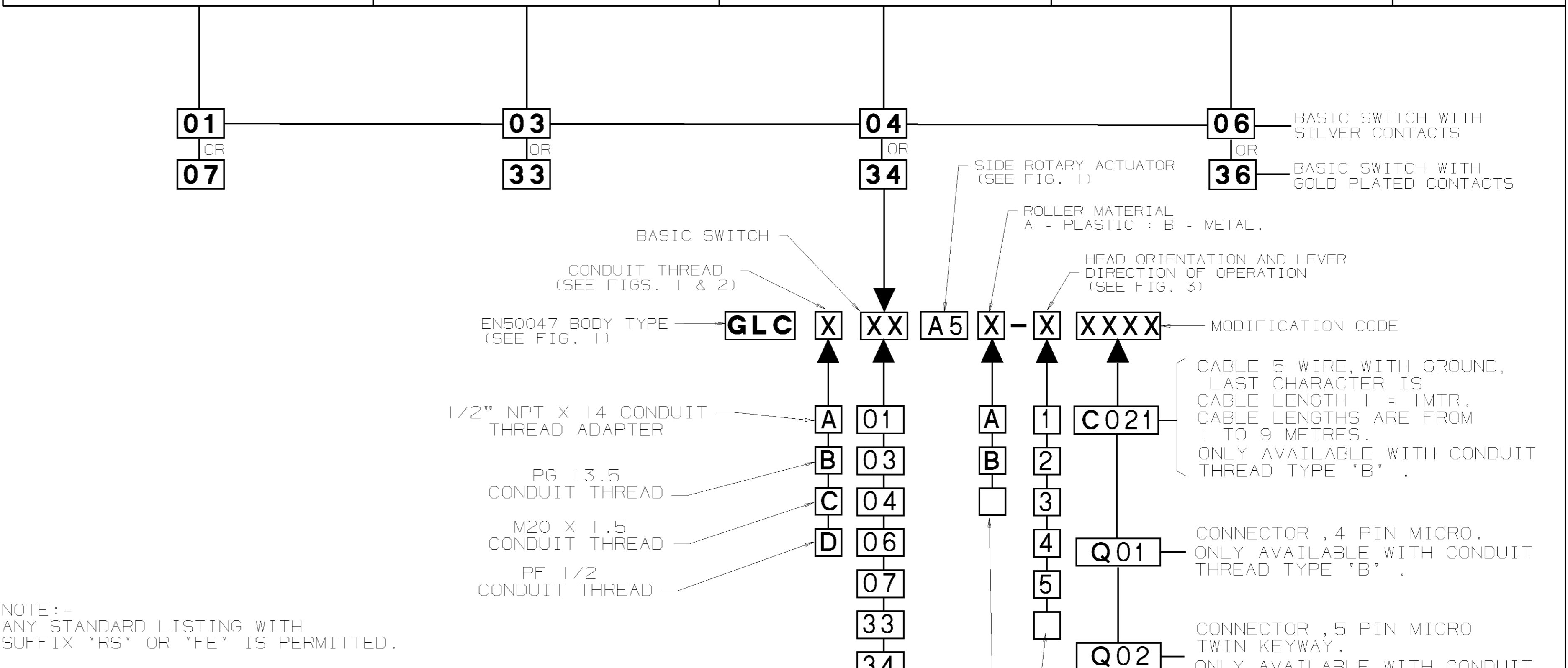
NOTES:-

- ZINC DIECAST BODY AND HEAD WITH STEEL COVER. BODY AND COVER FINISHED IN MICRO SWITCH BLUE EPOXY PAINT. HEAD FINISHED IN BLACK EPOXY PAINT.
- MINIMUM OPERATING VELOCITY (V_{min}) = 2.0 MM/S (THESE LIMITS APPLY TO CAM OPERATION AS SHOWN IN THE ABOVE DIAGRAMS ONLY)
 MAXIMUM OPERATING VELOCITY (V_{max}) = 200 MM/S
 MAXIMUM OPERATING FREQUENCY (F_{max}) = 250 OPS/MIN
- FREE POSITION (FP), OPERATING POINT (OP), OVERTRAVEL (OT) AND PRETRAVEL (PT) ALL TO EN50047.
- MAXIMUM TIGHTENING TORQUE FOR FIXING SCREW = 0.5Nm (4.4in.LB)

NO CHANGES CAN BE MADE TO THIS DRAWING WITHOUT JOINT NEWHOUSE/FREEPORT APPROVAL

STANDARD SILVER CONTACTS		GOLD PLATED CONTACTS		ENVIRONMENTAL		APPROVALS	
ELECTRICAL RATING		ELECTRICAL RATING		ENVIRONMENTAL		APPROVALS	
AC		DC		IP66 NEMA 1, 4, 12, 13		UL	
A300 U _e	AC15 I _e	O300 U _e	DC13 I _e	TEMP RANGE : -25°C TO 85°C -13°F TO 185°F		IEC 947-5-1	
VOLTS AMPS		VOLTS AMPS		STORAGE : -40°C TO 85°C -40°F TO 185°F		EN50047	
120 240	6 3	125 250	0.55 0.27	SHOCK : 50G PER IEC 68-2-27 VIBRATION : 10G PER IEC 68-2-6			
I _{th} = 10A		IV 10μA MIN. 50V 100mA MAX.					
THE COPYRIGHT OF THIS DRAWING IS THE PROPERTY OF HONEYWELL LTD. THE DRAWING IS SUPPLIED IN CONFIDENCE AND MUST NOT BE USED FOR ANY PURPOSE OTHER THAN THAT FOR WHICH IT IS SUPPLIED.							
SCALE 1:1		DIMENSIONS ARE IN MM/INCHES.		MODIFY ON CAD SYSTEM ONLY			

SNAP-ACTION CONTACTS 	SLOW-ACTION CONTACTS (BREAK BEFORE MAKE) 	SLOW-ACTION CONTACTS (MAKE BEFORE BREAK) 	SLOW-ACTION CONTACTS (2 NORMALLY CLOSED) 	CONTACT BLOCK DIAGRAM TERMINAL DESIGNATION TO EN 50013
<p>FP = 0° OP = 26° RP = 14.5° DT = 115° * = 54° OT = 6° to 75°</p>	<p>FP = 0° OP = 26° * = 36.5° OP2 = 39° OT = 6° to 75°</p>	<p>FP = 0° OP = 26° * = 50.5° OP2 = 39° OT = 6° to 75°</p>	<p>FP = 0° OP = 26° * = 46.5° OT = 6° to 75°</p>	NOMINAL TRAVELS AND RELATED TERMINALS <p>* POSITIVE OPENING TO IEC 947-5-1-3</p>
120 (1.1)	110 (1.0)	110 (1.0)	110 (1.0)	NORMAL OPERATING TORQUE MAX Nmm (in.lbs)
140 (1.3)	160 (1.5)	170 (1.6)	150 (1.4)	MAXIMUM DISCONNECT TORQUE Nmm (in.lbs)



NOTE: FOR CONNECTION DIAGRAMS AND ADDITIONAL ELECTRICAL, ENVIRONMENTAL & DIMENSIONAL INFORMATION SEE DRAWING GL-49212.