

## FEATURES AND SPECIFICATIONS

### Features and Benefits

- Sizes 3 to 6 circuits

### Reference Information

Packaging: Bag  
 UL File No.: E29179  
 CSA File No.: LR19980  
 Mates With: 5077-NC  
 Designed In: Millimeters

### Electrical

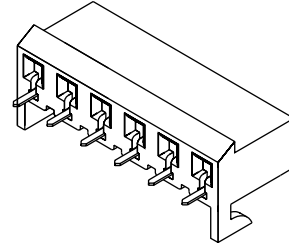
Voltage: 250V  
 Current: 7.0A  
 Contact Resistance: 10mΩ max.  
 Dielectric Withstanding Voltage: 1500V AC/1 min.  
 Insulation Resistance: 1000 MΩ min.

### Physical

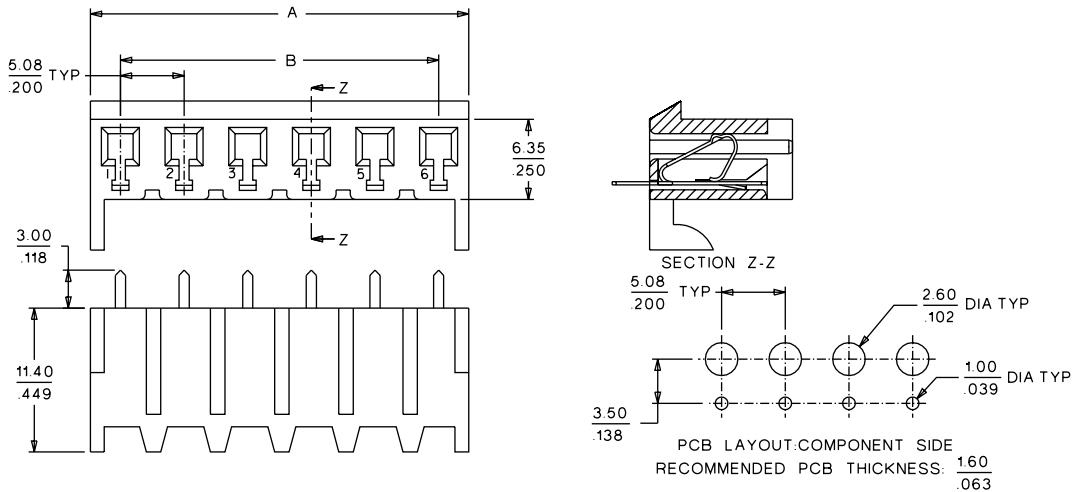
Housing: 6/6 nylon, UL 94V-2  
 Contact: Brass  
 Plating: Tin over Copper  
 Operating Temperature: -40 to +105°C

# molex® 5.08mm (.200") Pitch PC Board Connector

## 2767-NBH Bottom Entry



## CATALOG DRAWING (FOR REFERENCE ONLY)



## ORDERING INFORMATION AND DIMENSIONS

Circuits	Order No.	Dimension	
		A	B
3	10-05-1035	14.96 (.589)	10.16 (.400)
4	10-05-1045	20.04 (.789)	15.24 (.600)
5	10-05-1055	25.12 (.989)	20.32 (.800)
6	10-05-1065	30.20 (1.189)	25.40 (1.000)

3.00 to 7.92mm (.118 to .312") Pitch

D