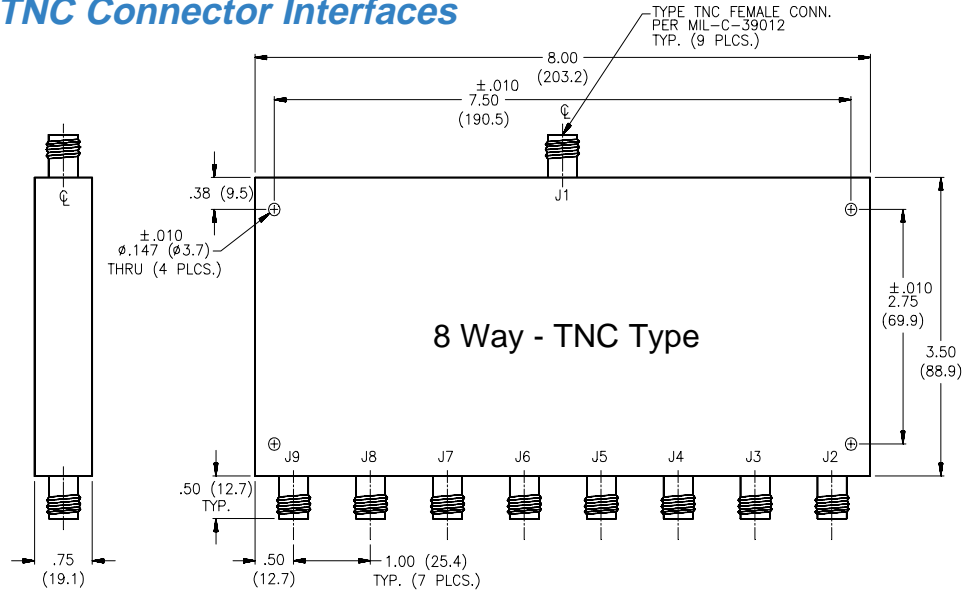
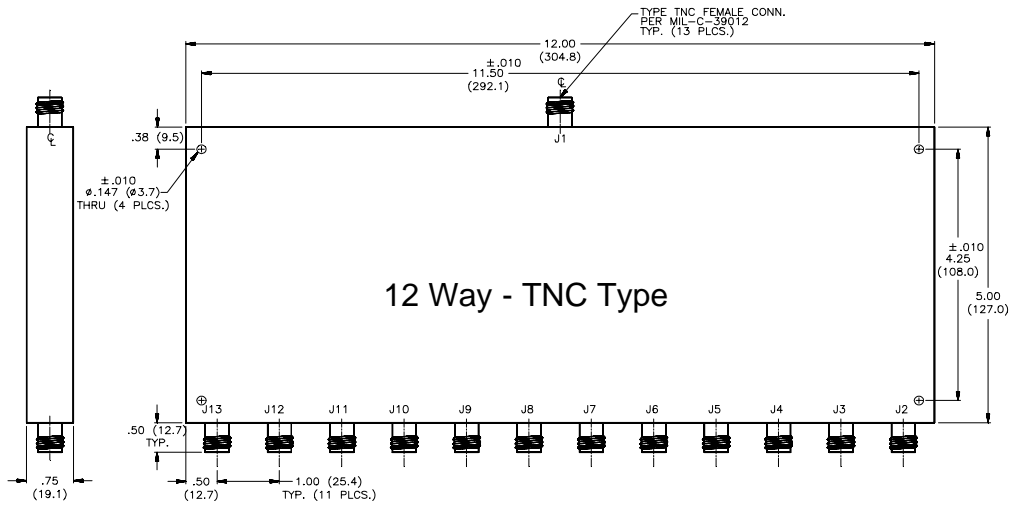


8 & 12 Way - TNC Connector Interfaces



Frequency Range (MHz)	Model Number	Amplitude Balance (dB)	Phase Balance (deg)	Insertion Loss (dB)max	Isolation (dB)min	VSWR (max)	Input Power (W)max
800 - 900	PDW-8090-08-TNC-05	0.5	± 4.0	0.50	20	1.20	10.0
800 - 960	PDW-8096-08-TNC-05	0.5	± 4.0	0.50	20	1.20	10.0
890 - 960	PDW-8996-08-TNC-05	0.5	± 4.0	0.50	20	1.20	10.0
1429 - 1501	PDW-1415-08-TNC-05	0.5	± 4.0	0.60	20	1.20	10.0
1700 - 1990	PDW-1719-08-TNC-05	0.5	± 6.0	0.60	20	1.20	10.0
2400 - 2500	PDW-2425-08-TNC-05	0.5	± 6.0	0.70	20	1.20	10.0



Frequency Range (MHz)	Model Number	Amplitude Balance (dB)	Phase Balance (deg)	Insertion Loss (dB)max	Isolation (dB)min	VSWR (max)	Input Power (W)max
800 - 900	PDW-8090-12-TNC-05	0.5	± 10.0	0.60	20	1.30	10.0
800 - 960	PDW-8096-12-TNC-05	0.5	± 10.0	0.60	20	1.30	10.0
890 - 960	PDW-8996-12-TNC-05	0.5	± 10.0	0.60	20	1.30	10.0
1429 - 1501	PDW-1415-12-TNC-05	0.5	± 10.0	0.70	20	1.30	10.0
1700 - 1990	PDW-1719-12-TNC-05	0.5	± 12.0	0.80	20	1.30	10.0
2400 - 2500	PDW-2425-12-TNC-05	0.5	± 12.0	0.90	20	1.30	10.0