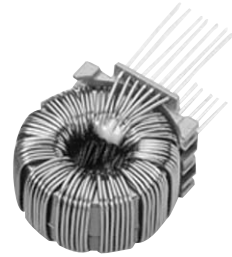


◆MAJOR USES

- Choke coils for Power Factor Corrective
- Output choke coils for inverter smoothing

◆FEATURES

- Miniaturization in comparison with AM series coils by about 30 percent
- Excellent d.c. superposition characteristics



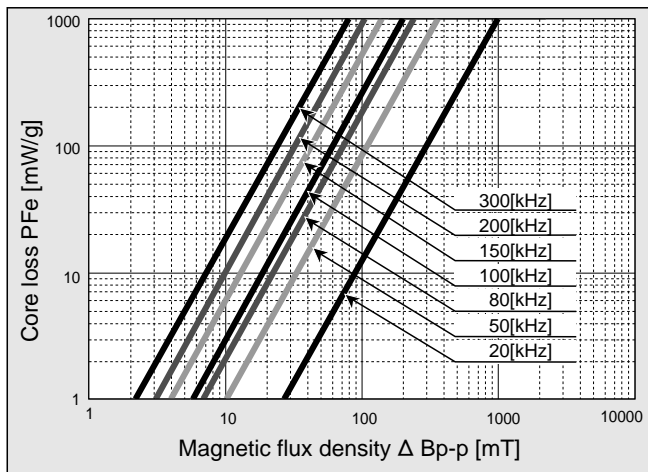
◆CORE STANDARD SPECIFICATIONS

Core Part No. (Old Core Part No.)	Abbreviation	Cross Sectional Area cm ²	Magnetic Path Length cm	Outside Dimensions			Inductance Coefficient AL Value		
				Outer Diameter mm	Width mm	Height mm	I _{dc} =0[A] μH	Rated Current* μH	Rated Current Ampere Turn [AT]
LNW462725J2 (W462725J2)	WK	2.043	11.5	49.4	22.7	28.0	0.133	0.106	1900
LNW603525J2 (W603525J2)	WL	2.688	14.9	66.7	29.3	29.2	0.135	0.109	2500

*100[kHz], ±25%

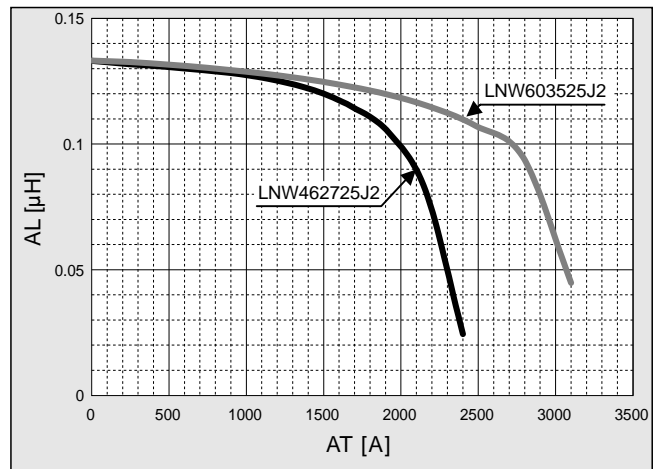
◆CORE LOSS CHARACTERISTICS

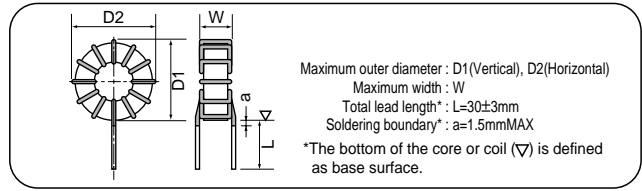
- AW choke



◆D.C. BIAS CHARACTERISTICS AL-AT

- AW core, Frequency : 100[kHz]





◆COIL STANDARD SPECIFICATIONS

Coil Part No. (Old Coil Part No.)	Rated Current Arms	Peak Current A	Inductance (100kHz) ^{*1}		D.C.R. mΩ (max)	Winding ^{*2} mmφ×lines-turns	Outside Dimensions		
			0[A] μH	Rating μH			D1 mm	D2 mm	W mm
◎ LAAW020251WKHV0E (AW20251WKHPBF)	20	28.3	270	250	20	1.0×5P - 45T	59.0	59.0	41.5
◎ LAAW030101WKHV0E (AW30101WKHPBF)	30	42.4	105	100	10	1.3×4P - 28T	57.0	57.0	41.5
LAAW040500WKHV0E (AW40500WKHPBF)	40	56.6	53	50	5	1.5×4P - 20T	57.0	57.0	41.5
LAAW020501WLHV0E (AW20501WLHPBF)	20	28.3	546	500	35	1.0×5P - 64T	78.5	78.5	46.0
LAAW030201WLHV0E (AW30201WLHPBF)	30	42.4	213	200	15	1.3×4P - 40T	78.5	78.5	46.0
LAAW040101WLHV0E (AW40101WLHPBF)	40	56.6	105	100	10	1.5×4P - 28T	78.5	78.5	46.0

*1 Rated inductance tolerance : ±25%, the inductance at current 0[A] indicates the reference value.

*2 The number of turns indicates the reference value.

The specification of the inductance takes precedence over that of the number of turns.

There is a horizontal putting type in all items in the above list."V"changes into "H" in last the third digit of the name of items.

There are the type with the length putting seat and the horizontal putting seat in◎item.

*Order the auxiliary pins separately if they are required for the pedestal.

Please select them according to the situation.

◆D.C. BIAS CHARACTERISTICS

●Core : LNW462725J2, LNW603525J2, Frequency : 100[kHz]

