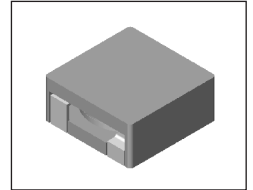


SMT Power Inductor

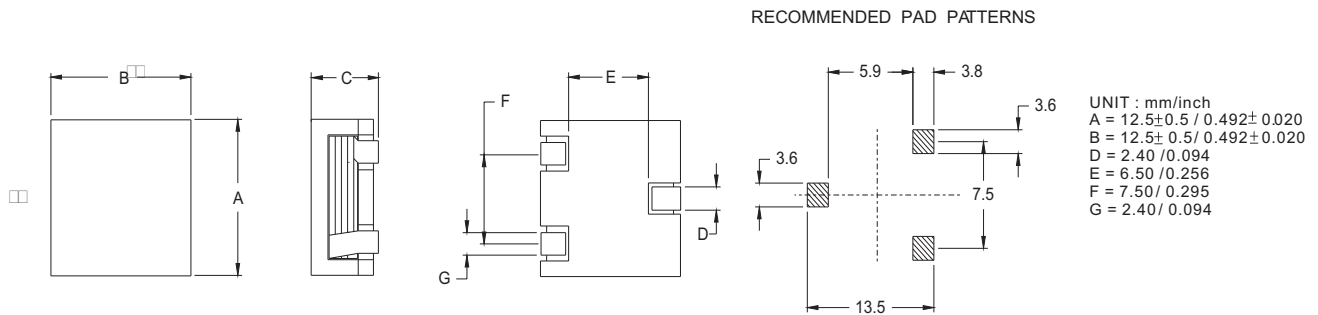
HAU1342, 1350, 1355 & 1375 Type

Features

- RoHS compliant.
- Low profile, SMD type.
- High current.
- Magnetic shielded.
- High energy storage and low DCR.
- Provided with embossed carrier tape packing.
- Ideal for power source circuits, DC-DC converter, DC-AC inverters inductor applications.
- In addition to the standard versions shown here, customized inductors are available to meet your exact requirements.



Mechanical Dimension :



Electrical Characteristics : 25°C, 100KHz, 1V

| PART NO. | Lo ¹ (uH) | Li (uH) ±20% | DCR (mΩ) MAX | Isat ² (Adc) | I _{rms} ³ (Adc) | HEIGHT "C" (mm/inch) MAX. |
|-------------|-------------------------|-----------------|-----------------|----------------------------|--|------------------------------|
| HAU1342-0R8 | 0.8 | 0.6 | 2.5 | 30 | 34 | 4.2 / 0.165 |
| HAU1342-1R4 | 1.4 | 1.2 | 3.4 | 20 | 22 | 4.2 / 0.165 |
| HAU1342-2R2 | 2.2 | 1.8 | 4.3 | 14 | 20 | 4.2 / 0.165 |
| HAU1350-0R7 | 0.7 | 0.6 | 1.2 | 40 | 34 | 5.0 / 0.197 |
| HAU1350-1R2 | 1.2 | 0.9 | 1.5 | 34 | 30 | 5.0 / 0.197 |
| HAU1355-0R3 | 0.3 | 0.24 | 0.6 | 45 | 40 | 5.5 / 0.217 |
| HAU1355-0R7 | 0.7 | 0.55 | 1.2 | 38 | 32 | 5.5 / 0.217 |
| HAU1355-1R2 | 1.2 | 0.9 | 1.5 | 34 | 28 | 5.5 / 0.217 |
| HAU1355-1R9 | 1.9 | 1.5 | 4.0 | 22 | 20 | 5.5 / 0.217 |
| HAU1355-2R7 | 2.7 | 2.2 | 4.7 | 20 | 16 | 5.5 / 0.217 |
| HAU1355-3R6 | 3.6 | 2.9 | 5.6 | 18 | 14 | 5.5 / 0.217 |
| HAU1355-4R8 | 4.8 | 3.8 | 6.4 | 16 | 12 | 5.5 / 0.217 |
| HAU1355-6R4 | 6.4 | 5.0 | 10.0 | 13 | 10 | 5.5 / 0.217 |
| HAU1375-1R2 | 1.2 | 0.9 | 1.5 | 45 | 30 | 7.5 / 0.295 |

1. Lo is the initial inductance and the tolerance of inductance is ±20%.
2. Isat is the DC current which cause the inductance drop to Li.
3. I_{rms} is the DC current which cause the surface temperature of the part increase less than 45°C.
4. Operating temperature : -20°C to 105°C (including self-temperature rise).



DELTA ELECTRONICS, INC.

(TAOYUAN PLANT CPBG) 252, SAN YING ROAD, KUEISAN INDUSTRIAL ZONE, TAOYUAN SHIEN, 333, TAIWAN, R.O.C.
 TEL: 886-3-3591968; FAX: 886-3-3591991
<http://www.deltaww.com>